

Helical gear units and Helical geared motors C

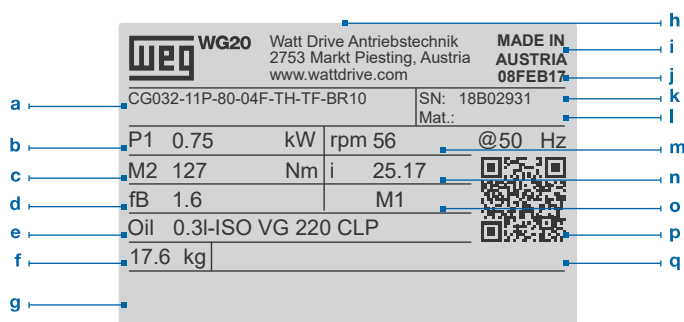


Technical Data

Size	C00	C01	C03	C05	C06	C07	C08	C09	C10	C13	C14	C16
Power [kW]	0.12 - 0.75	0.12 - 1.5	0.12 - 3 kW	0.12 - 7.5	0.12 - 9.2	0.12 - 15	0.18 - 22	0.55 - 30	1.1 - 30	4 - 55	4 - 55	11 - 75
Torque [Nm]	50	85	200	400	600	820	1550	3000	4500	8000	13000	18000
Ratio	2.44	3.09	3.34	3.69	3.73	5.30	5.12	4.22	4.19	4.00	5.17	5.96
	47.44	66.5	286.32	328.43	375.71	351.33	368.94	3282.02	2636.78	1891.77	2162.84	22405.25
Number of stages	2	2	2/3	2/3	2/3	2/3	2/3	2/3/4	2/3/4	2/3/4	2/3/4	2/3/4/5
Housing material	aluminium						cast iron					
Solid shaft	Type	with key acc. to DIN 6885.1 and threaded bore acc. to DIN 332 sheet 2										
	Tolerance	< Ø 55: k6 / ≥ Ø 55: m6										
	Material	standard: C45E (1.1191) / stainless steel on request										
Flanges	Tolerance	centring ≤ 250: j6 / > 250: h6 acc. to DIN EN 50347										
	Material	cast iron										
Gear wheels	Type	honed - designed and produced according to DIN 3990/3991 - Q7										
	Material	16MnCr5 (1.7131) case hardened - minimum 58HRC										
Shaft seals	Type	type AS acc. to DIN 3760										
	Material	standard NBR / special FKM										
Bearing	standard / reinforced											
Lubricants	Type	standard CLP 220 / special CLP HC 220										
	Quantity	depending on mounting position										
Axle height	acc. to DIN 747: ≤ 50: -0.4; > 50 to ≤ 250: -0.5; > 250: -1 for foot-mounted gear motors, the motor may extend below the mounting surface											

General information

1. Nameplate



a	Type code	j	Production date
b	Motor power	k	Serial number
c	Output torque	l	Material number
d	Service factor	m	Output speed and Frequency
e	Type and quantity of lubricant	n	Total gear ratio
f	Weight	o	Mounting position
g	Space for ATEX code (if applicable)	p	QR-Code linked online to additional information
h	Manufacturer address	q	Space for additional information
i	Country of origin		

2. Type code

CG083-EX-11P-90S/L-04F ...

1 2 3 4 5 6 7 8 9 10

CG083-EX-I112-HT

1 2 3 4 5 11 12

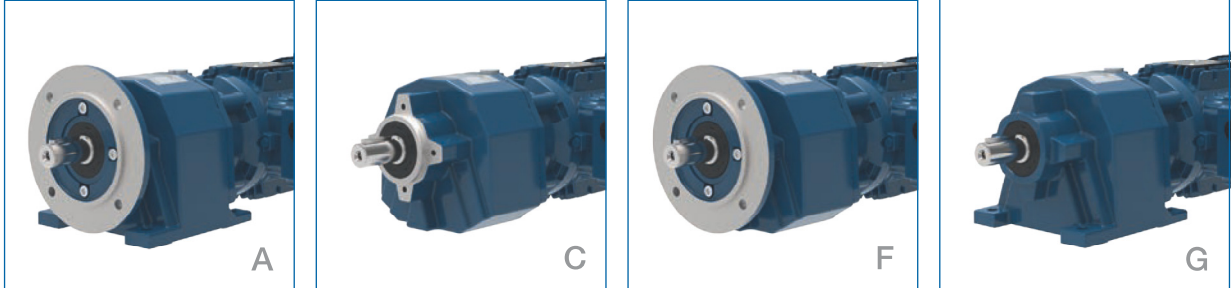
1	Type:	C = Helical gear unit
2	Design:	A = Foot mounted and B5 flange execution with output shaft C = B14 flange execution with output shaft F = Flange execution with output shaft G = Foot mounted with output shaft W = Foot mounted and B14 flange execution with output shaft
3	Size:	00 01 03 05 06 07 08 09 10 13 14 16
4	Number of stages:	2 = 2 gear stages 3 = 3 gear stages 4 = 4 gear stages 5 = 5 gear stages
5	ATEX execution:	when operated in explosive atmospheres, see page 15
6	Motor type:	14P = Integral motor aluminium IE3 11P = Integral motor aluminium IE3 22P = Integral motor cast iron IE3
7	Motor frame size:	63 71 80 L80 90S/L 100L L100L 112M 132S 132M L132M 160M 160L 180M 180L 200L 225S/M 250S/M
8	Number of poles:	04 = 4 poles 06 = 6 poles
9	Power indicator:	D E F G
10	Motor modules:	see from page 501
11	Adapters, Input unit:	IEC adapter I63 I71 I80 I90 I100 I112 I132 I160 I180 I200 I225 I250 I280 NEMA adapter N56 N143 N182 N184 N213 N254 N284 N324 N364 SERVO adapter S92 S105 S114 S115 S130 S141 S142 S180 S189 S190 Input unit U2 U3 U5 U6 U7 Direct mounting (IEC): IEC63 IEC71 IEC80 IEC90 IEC100 IEC112 IEC132 IEC160 IEC180 IEC200 IEC225 IEC250
12	High/Low temperature execution:	HT LT

Type code Motor see page 477

3. Range

Size	C00	C01	C03	C05	C06	C07	C08	C09	C10	C13	C14	C16
Housing material	Aluminium					Cast iron						

4. Design

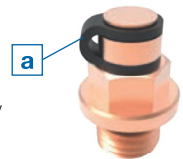


	A	Foot mounted and B5 flange execution with output shaft
	C	B14 flange execution with output shaft
	F	Flange execution with output shaft
	G	Foot mounted with output shaft
	W	Foot mounted and B14 flange execution with output shaft

5. Venting the gear unit

The helical gear unit sizes C00 to C06 are neither equipped with a venting nor an oil drain screw. They are supplied with lifetime-lubrication.

By default, the helical gear units from C07 are equipped with venting screws with a safety strap for transportation (see illustration). The rubber strap (a) of the venting screw must be removed entirely before the initial startup. The venting screw is placed accordingly to the mounting position (see chapter Mounting positions, page 26).



6. Overhung and axial loads

The overhung loads (F_{RN}) indicated in the respective selection tables apply to gear units with the force acting on the shaft center ($x=l/2$). The permissible overhung loads listed are based on the least favourable loading direction and calculated for standard shafts and standard bearings. Other load directions and action can be calculated with equations Q1 to Q3. If transmission elements are placed on the output shaft, an appropriate factor (f_z) has to be taken into consideration when determining the overhung load.

Gear wheels	Sprockets		V-belts	Flat belts
$f_z=1.1$ ($z \leq 17$)	$f_z=1.2$ ($z \leq 13$)	$f_z=1.1$ ($z > 13$)	$f_z=1.8$	$f_z=2.5$

Use the following equations Q1 and Q2 to calculate the permissible radial loads on the output shaft. Q3 is to calculate the real existing shaft loads for your application. The results are to be compared by using the equation Q4.

Q1	$F_{zL} = F_{rN} \cdot a_1$
Q2	$F_{zW} = F_W \cdot a_2$
Q3	$F_{Qvorh} = \frac{2 \cdot M_2}{d_0} \cdot f_z$
Q4	$F_{Qvorh} \leq F_{zL}$
	$F_{Qvorh} \leq F_{zW}$

Variable	Unit	Description
a1		Load action factor - output shaft bearing from Table 1
a2		Load action factor - output shaft from Table 1
d0	[m]	Effective diameter of the transmission element
M2	[Nm]	Geared motor output torque (from selection tables) or required calculated output torque
FzL	[N]	Permissible overhung load for output shaft bearings
FzW	[N]	Permissible overhung load for output shaft
FrN	[N]	Permissible overhung load from selection tables
Fw	[N]	Permissible overhung load - Output shaft x=l/2 from Table 2
FQvorh	[N]	Existing overhung load at gear shaft
fz		Factor for transmission element
Mmax	[Nm]	Highest possible output torque for coupling operation (Table 2)

Always use both equations Q1 and Q2 for your calculations.

		x / l						
		0	0.25	0.5	0.75	1	1.5	2
		a1 → Equation Q1						
		1.39	1.18	1.00	0.85	0.73	0.52	0.38
		a2 → Equation Q2						
		2.00	2.00	1.00	0.55	0.38	0.23	0.17

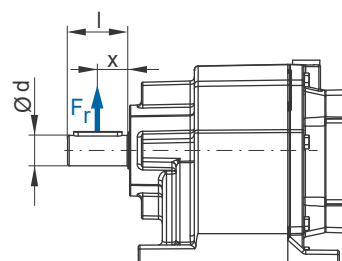


Table 1: Load action factors a1, a2

Intermediate values can be interpolated linearly. Combined load ($F_r \neq 0$; $F_a = 0$) on request.

Output shaft [mm]		Mmax at Fr = 0	Output torque M2 [Nm]													
			50	85	200	400	600	820	1550	3000	4500	8000	13000	18000		
Ø d	l		Fw [kN] at x/l = 0.5 → Equation Q2													
20	40	160	3.4	3.1												
25	50	300	5.9	5.7	4.8											
30	60	500		7.6	7.1	5.0										
35	70	800			11.0	10.0	8.3									
40	80	1170				13.0	12.0	10.7								
50	100	2250				24.0	24.0	23.0	20.0							
60	120	3740						31.0	30.0	23.0						
70	140	5850						44.0	41.0	36.0						
90	170	11700							72.0	70.0	61.0					
110	210	20800								106.0	103.0	93.0				
120	210	26700									129.0	121.0	109.0			

Table 2: Permissible overhung load - output shaft x = l/2

The axial loads (F_{aN}) for execution with output shaft, given in the following selection tables, are valid at radial force $F_{rN} = 0$. If there are axial loads or radial and axial components acting on the drive which are extraordinarily high, we recommend to contact the manufacturer.

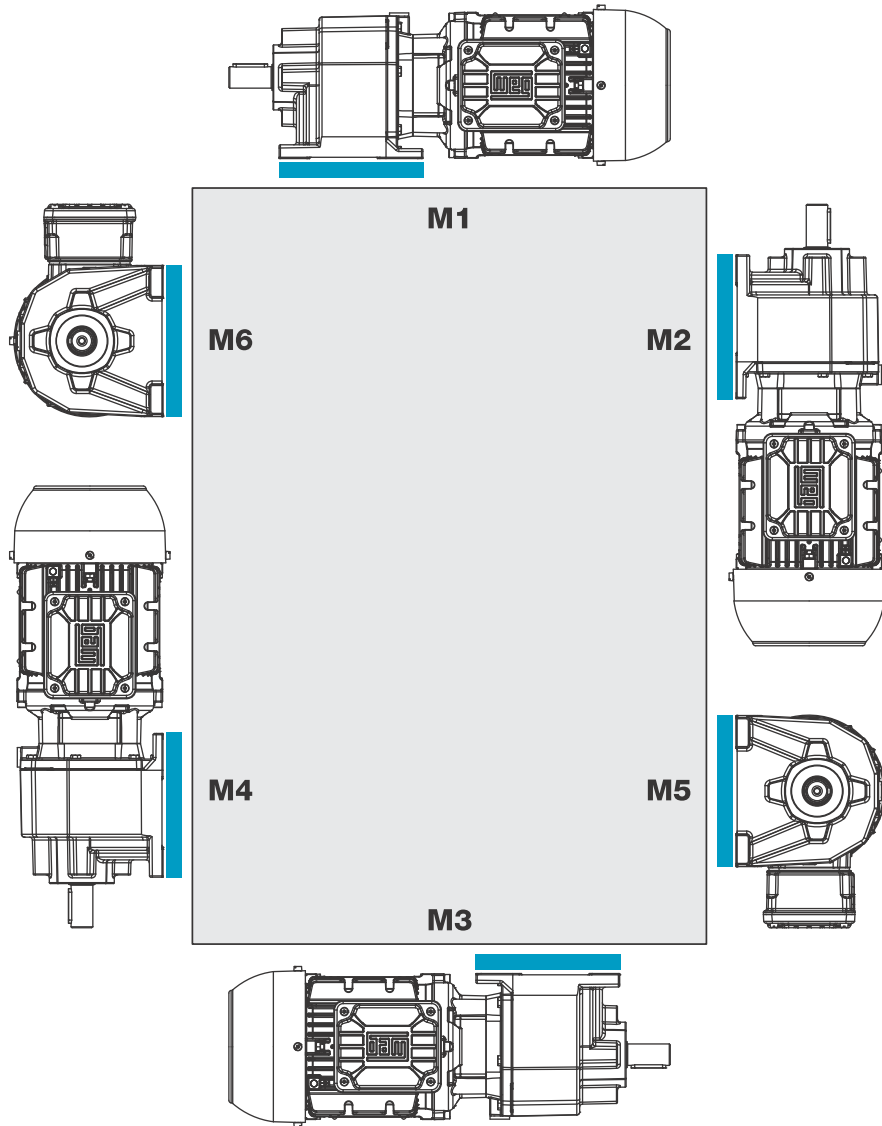
7. Mounting positions, Position of the terminal box and Cable entry

Mounting positions foot type - Sizes C00 to C06

Gear units C00 to C06 are not ventilated and supplied with lifetime lubrication

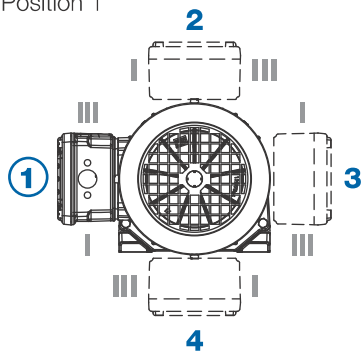
 Reference area

C



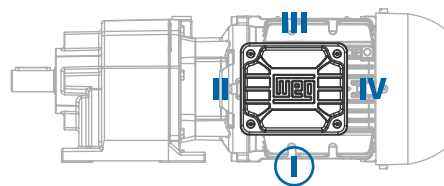
Position of the terminal box

Standard: Position 1



Cable entry

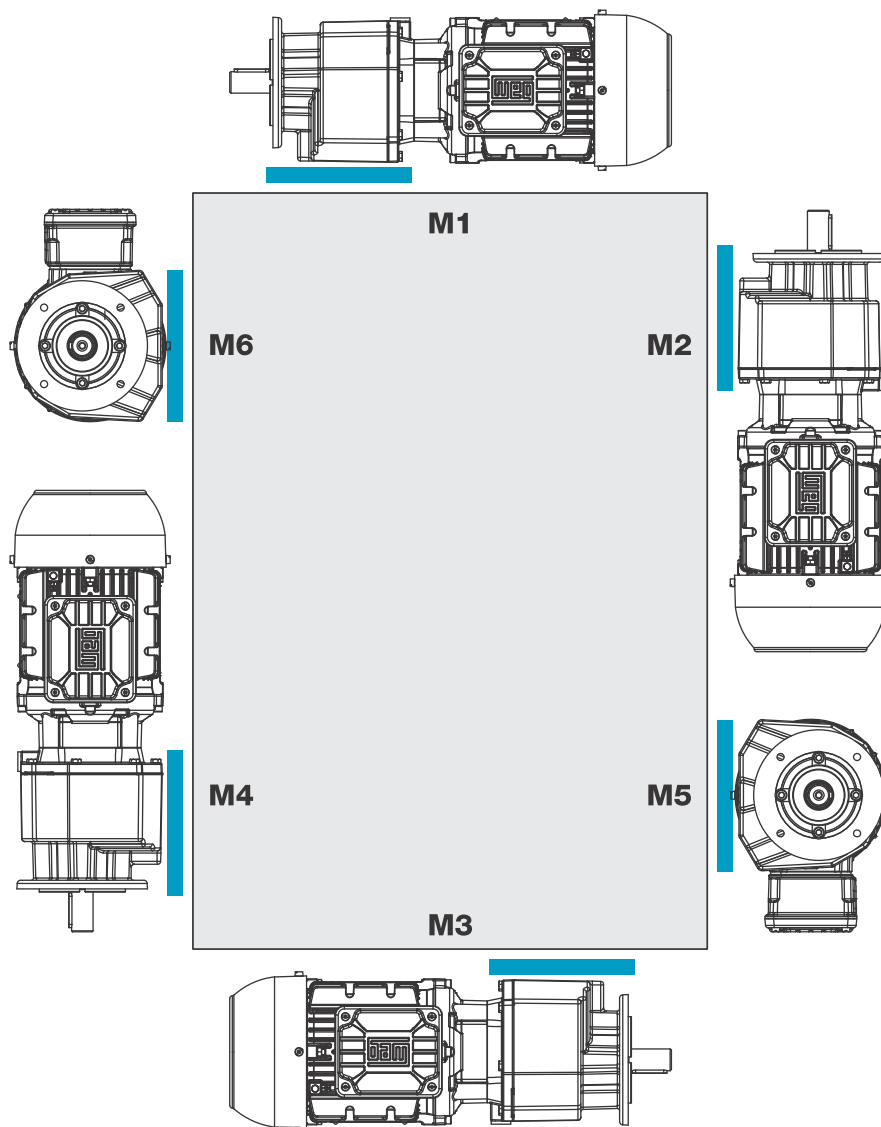
Standard: Position I



Mounting positions flange type - Sizes C00 to C06

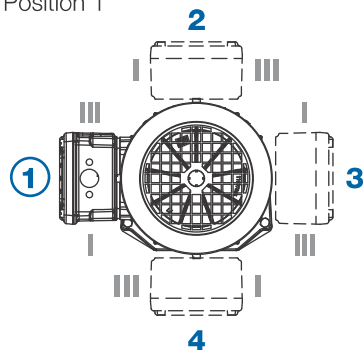
Gear units C00 to C06 are not ventilated and supplied with lifetime lubrication.

■ Reference area



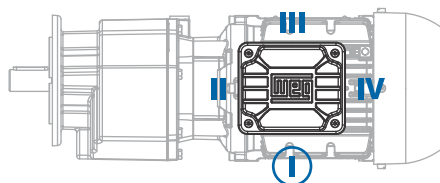
Position of the terminal box

Standard: Position 1



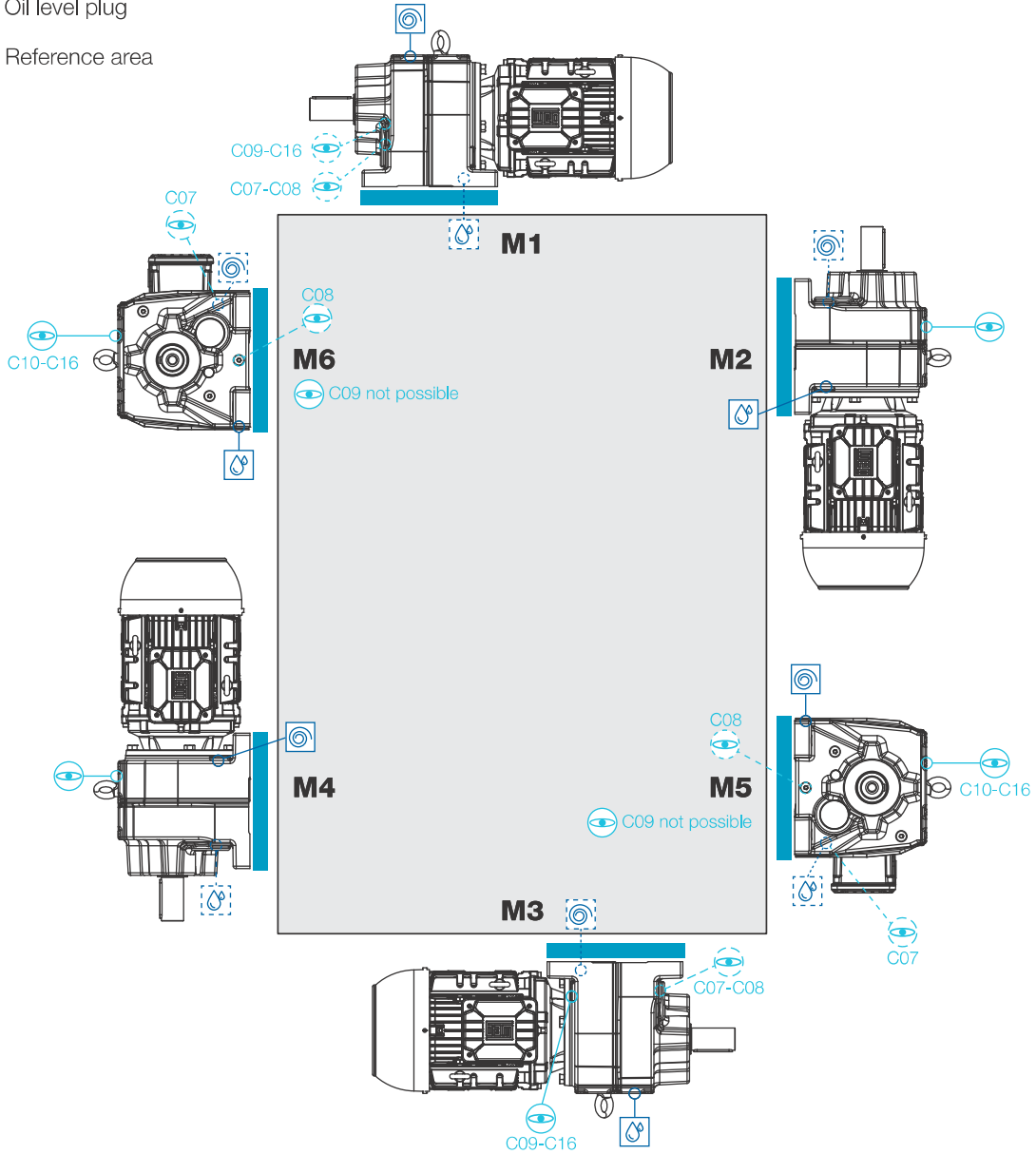
Cable entry

Standard: Position I



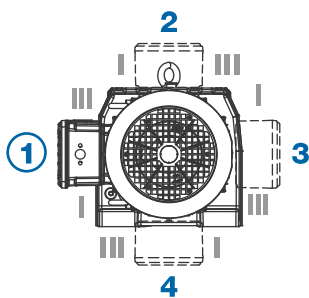
Mounting positions foot type - Sizes C07 to C16

- Venting screw
- Oil drain screw
- Oil level plug
- Reference area
- Position visible on this side
- Position covered or on the far side of the gear unit



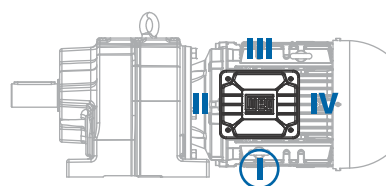
Position of the terminal box

Standard: Position 1



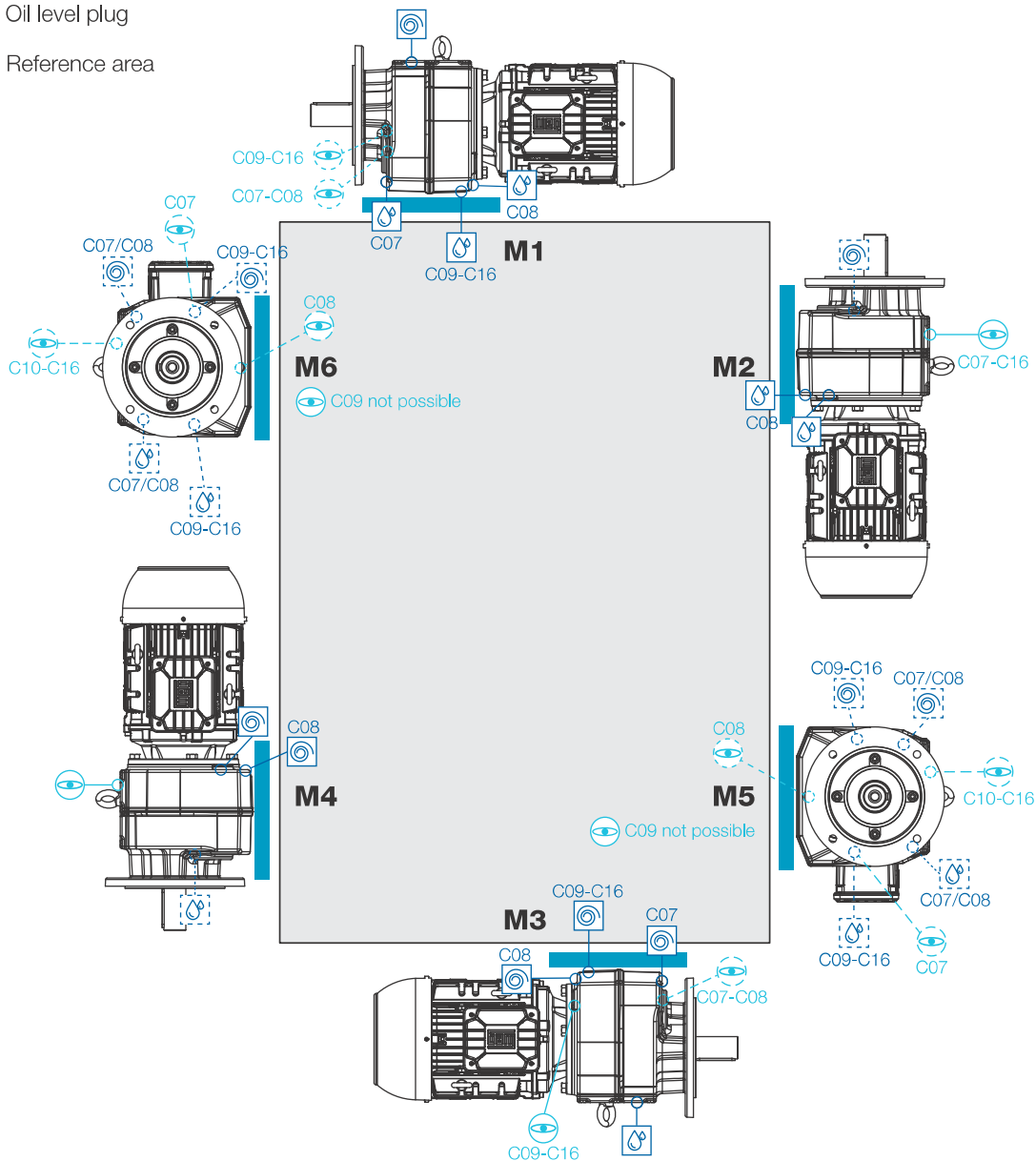
Cable entry

Standard: Position I



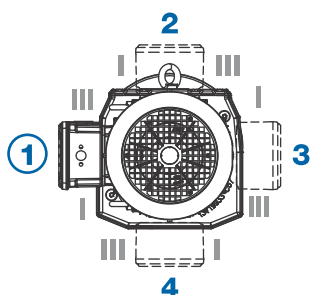
Mounting positions flange type - Sizes C07 to C16

- Position visible on this side
- Position covered or on the far side of the gear unit
- ⦿
 Venting screw
- ⦿
 Oil drain screw
- ⦿
 Oil level plug
- Reference area



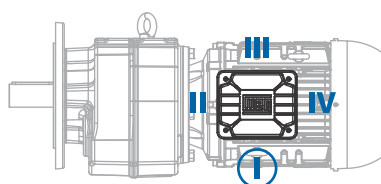
Position of the terminal box

Standard: Position 1



Cable entry

Standard: Position I



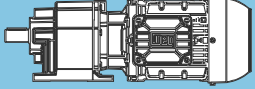
Selection tables - Geared motors

The technical data of the geared motors shown in the selection tables apply to an ambient temperature of +20°C.

The selection tables are calculated with following motor data:

Power (IEC frame size)	Motor series (IE class)
up to 0.55 kW (63 - 80)	14P (IE3) - aluminium
0.75 - 9.2 kW (80 - 132)	11P (IE3) - aluminium
11 - 75 kW (160 - 250)	22P (IE3) - cast iron

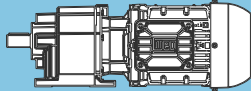
Structure of the selection tables

1 $P_N = 0.12 \text{ kW}$								2 IE3			
50 Hz		60 Hz		5 M_2 Nm	6 f_B	7 i	at 50 Hz		10 	11 m kg	12 Dimension sheet see page
0.12 kW		0.14 kW					8 F_{rN} kN	9 F_{aN} kN			
3 n_{50} min ⁻¹	4 n_{60} min ⁻¹										

- 1 Rated power of the motor
- 2 Given values are based on the respective efficiency class
- 3 Output speed at 50 Hz
- 4 Output speed at 60 Hz
- 5 Output torque
- 6 Service factor
- 7 Total ratio
- 8 Permissible radial load at midpoint of the output shaft extension (standard bearing) at axial load=0
- 9 Permissible axial load (standard bearing) at radial load=0
- 10 Geared motor type
- 11 Weight
- 12 Page reference for dimension sheet

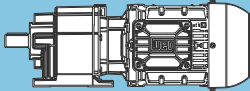
*) Increased rated power at 60 Hz can only be reached together with increased voltage within the wide range (for details see page 485).

Increased rated power
1.2 x P_N

P _N = 0.12 kW								IE3	
50 Hz		60 Hz			at 50 Hz			m kg	Dimension sheet see page
0.12 kW		0.14 kW			F _{IN} kN	F _{aN} kN			
n ₅₀ min ⁻¹	n ₆₀ min ⁻¹	M ₂ Nm	f _B	i					
0.05	0.06	20103	0.90	18322.05	106.8	22.2	CG165-14P-63-06F CF165-14P-63-06F	695 718	170
0.06	0.07	16816	1.10	15484.09	116.5	25.2			
0.07	0.09	13576	1.35	12662.22	123.8	28.2			
0.08	0.10	11904	1.55	11217.58	126.8	29.7			
0.09	0.11	10501	1.75	9998.22	129.0	31.0			
0.10	0.12	9568	1.90	9181.16	130.3	31.8			
0.12	0.15	7913	2.30	7752.38	132.3	33.3			
0.13	0.16	7120	2.55	7067.08	133.1	34.0			
0.15	0.18	6277	2.90	6345.03	133.8	34.8			
0.06	0.08	15979	1.15	22405.25	118.6	26.0	CG165-14P-63-04E CF165-14P-63-04E	695 718	170
0.08	0.09	12900	1.40	18322.05	125.1	28.8			
0.09	0.11	10734	1.70	15484.09	128.7	30.7			
0.10	0.12	9952	1.85	14467.28	129.8	31.5			
0.11	0.14	8598	2.10	12662.22	131.5	32.7			
0.13	0.15	7480	2.45	11217.58	132.7	33.7			
0.14	0.17	6563	2.75	9998.22	133.6	34.5			
0.35	0.43	2880	1.60	2636.78	41.7	23.5	CG104-14P-63-06F CF104-14P-63-06F	170 174	156
0.41	0.51	2405	1.90	2229.16	42.9	24.1			
0.43	0.53	2321	1.95	2156.24	43.1	24.2			
0.51	0.63	1930	2.35	1822.91	43.9	24.7			
0.54	0.67	1788	2.55	1702.59	44.1	24.9			
0.28	0.35	3697	0.85	3282.02	16.4	24.5	CG094-14P-63-06F CF094-14P-63-06F	128 126	152
0.34	0.42	3005	1.00	2683.89	22.9	25.6			
0.36	0.44	2902	1.05	2597.68	23.6	25.7			
0.41	0.50	2519	1.20	2268.18	25.9	26.3			
0.44	0.54	2349	1.30	2124.27	26.7	26.5			
0.50	0.61	2034	1.50	1854.82	28.1	27.0			
0.55	0.68	1828	1.65	1677.34	28.9	27.3			
0.56	0.69	1787	1.70	1643.20	29.0	27.4			
0.63	0.78	1580	1.90	1464.58	29.6	27.7			
0.69	0.85	1439	2.10	1344.90	30.0	27.9			
0.71	0.88	1386	2.20	1300.57	30.2	28.0			
0.81	1.0	1192	2.55	1135.60	30.6	28.2			
0.87	1.1	1108	2.75	1064.47	30.8	28.4			
0.89	1.1	1076	2.80	1035.22	30.9	28.4			
0.43	0.52	2390	1.30	3282.02	26.5	26.5	CG094-14P-63-04E CF094-14P-63-04E	127 125	152
0.52	0.64	1930	1.60	2683.89	28.5	27.1			
0.54	0.66	1864	1.65	2597.68	28.7	27.2			
0.62	0.76	1611	1.90	2268.18	29.6	27.6			
0.66	0.81	1503	2.00	2124.27	29.9	27.8			
0.76	0.93	1293	2.35	1854.82	30.4	28.1			
0.84	1.0	1157	2.60	1677.34	30.7	28.3			
0.86	1.0	1129	2.70	1643.20	30.8	28.3			
2.6	3.2	435	1.90	351.33	13.2	14.2	CG073-14P-63-06F CF073-14P-63-06F	38 42	146
2.9	3.6	396	2.10	319.60	13.3	14.2			
3.3	4.1	345	2.40	278.44	13.5	14.4			
3.7	4.5	314	2.65	253.30	13.6	14.4			
4.0	4.9	287	2.90	351.33	13.7	14.6	CG073-14P-63-04E CF073-14P-63-04E	38 42	146
2.5	3.0	465	1.30	375.71	9.6	6.8	CG063-14P-63-06F CF063-14P-63-06F	22 27	144
2.7	3.3	427	1.45	344.51	9.9	6.8			
3.0	3.7	381	1.60	307.24	10.2	7.0			
3.3	4.0	349	1.75	281.73	10.3	7.1			
3.8	4.7	301	2.00	242.60	10.6	7.2			
4.2	5.1	276	2.20	222.46	10.7	7.3			
4.9	6.1	233	2.60	188.11	10.9	7.4			
5.4	6.6	214	2.85	172.49	10.9	7.5			
3.7	4.6	306	2.00	375.71	10.6	7.2	CG063-14P-63-04E CF063-14P-63-04E	21 26	144
4.1	5.0	281	2.15	344.51	10.7	7.3			
4.6	5.6	251	2.40	307.24	10.8	7.4			
5.0	6.1	230	2.65	281.73	10.9	7.4			

Legend see page 29

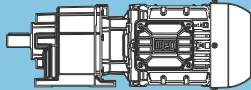
** ... on request

P_N = 0.12 kW								IE3	
50 Hz		60 Hz		i	at 50 Hz			m kg	Dimension sheet see page
0.12 kW		0.14 kW			F_{rN} kN	F_{aN} kN			
n₅₀ min ⁻¹	n₆₀ min ⁻¹	M₂ Nm	f_B						
2.8	3.5	407	1.00	328.43	4.8	6.3	CG053-14P-63-06F CF053-14P-63-06F	17 22	142
3.1	3.8	370	1.10	298.57	5.4	6.4			
3.5	4.3	332	1.25	267.93	6.0	6.6			
3.8	4.7	302	1.35	243.57	6.3	6.7			
4.3	5.3	265	1.55	213.71	6.7	6.9			
4.8	5.9	241	1.70	194.29	6.8	7.0			
5.6	6.9	205	2.00	165.45	7.1	7.2			
6.1	7.6	186	2.15	150.41	7.2	7.2			
7.0	8.6	165	2.45	132.97	7.3	7.4			
7.7	9.4	150	2.70	120.88	7.4	7.4			
4.3	5.2	268	1.50	328.43	6.6	6.9	CG053-14P-63-04E CF053-14P-63-04E	17 22	142
4.7	5.8	244	1.65	298.57	6.8	7.0			
5.2	6.4	219	1.85	267.93	7.0	7.1			
5.8	7.1	199	2.05	243.57	7.1	7.2			
6.6	8.0	174	2.30	213.71	7.3	7.3			
7.2	8.9	158	2.55	194.29	7.4	7.4			
8.5	10	135	3.00	165.45	7.5	7.5			
4.6	5.6	251	0.80	202.55	3.9	3.0	CG033-14P-63-06F CF033-14P-63-06F	13 15	140
5.1	6.3	224	0.90	180.83	4.4	3.2			
5.6	6.9	203	1.00	164.23	4.7	3.3			
6.5	8.0	177	1.15	142.47	5.0	3.5			
7.1	8.8	160	1.25	129.39	5.2	3.6			
8.4	10	136	1.50	109.79	5.4	3.8			
9.3	11	124	1.65	99.71	5.5	3.8			
11	13	106	1.90	85.78	5.6	3.9			
12	15	97	2.10	77.90	5.7	4.0			
14	18	79	2.55	64.05	5.8	4.1			
16	20	72	2.80	58.17	5.8	4.1			
4.9	6.0	234	0.90	286.32	4.2	3.1	CG033-14P-63-04E CF033-14P-63-04E	12 14	140
5.4	6.6	212	0.95	260.03	4.6	3.3			
6.3	7.7	182	1.10	223.03	5.0	3.5			
6.9	8.5	165	1.25	202.55	5.2	3.6			
7.8	9.5	147	1.40	180.83	5.3	3.7			
8.6	10	134	1.50	164.23	5.4	3.8			
9.9	12	116	1.75	142.47	5.6	3.9			
11	13	106	1.90	129.39	5.6	3.9			
13	16	90	2.25	109.79	5.7	4.0			
14	17	81	2.50	99.71	5.7	4.1			
16	20	70	2.90	85.78	5.8	4.2			
14	17	82	1.05	66.50	3.1	1.1	CG012-14P-63-06F CF012-14P-63-06F	9.9 11	138
16	19	74	1.20	59.59	3.2	1.1			
18	22	64	1.35	51.80	3.3	1.2			
20	25	58	1.50	46.42	3.4	1.3			
22	27	52	1.65	42.00	3.4	1.3			
25	30	47	1.85	37.64	3.4	1.3			
28	34	41	2.10	33.09	3.5	1.4			
31	38	37	2.35	29.65	3.5	1.4			
36	45	32	2.70	25.50	3.5	1.4			
37	46	31	1.35	25.05	3.5	1.3			
47	58	24	2.75	19.51	3.6	1.4			
21	26	54	1.60	66.50	3.4	1.3	CG012-14P-63-04E CF012-14P-63-04E	9.5 11	138
24	29	49	1.75	59.59	3.4	1.3			
27	33	42	2.05	51.80	3.5	1.4			
30	37	38	2.25	46.42	3.5	1.4			
33	41	34	2.50	42.00	3.5	1.4			
37	46	31	2.80	37.64	3.5	1.4			
56	69	20	2.05	25.05	3.6	1.4			

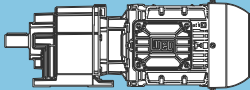


Legend see page 29

** ... on request

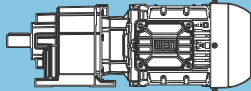
P _N = 0.12 kW								IE3	
50 Hz	60 Hz				at 50 Hz			m kg	Dimension sheet see page
0.12 kW	0.14 kW	M ₂ Nm	f _b	i	F _{IN}	F _{aN}			
n ₅₀ min ⁻¹	n ₆₀ min ⁻¹				kN	kN			
19	24	59	0.90	47.44	3.6	1.1	CG002-14P-63-06F CF002-14P-63-06F	8.8 10	136
22	27	52	1.00	42.34	3.6	1.2			
25	31	46	1.10	36.85	3.7	1.3			
28	35	41	1.25	32.89	3.7	1.3			
32	39	36	1.40	29.33	3.7	1.3			
35	44	32	1.55	26.18	3.7	1.4			
40	50	28	1.80	23.00	3.8	1.4			
45	56	25	2.00	20.53	3.8	1.4			
54	66	21	2.35	17.29	3.7	1.5			
55	68	21	1.50	16.86	3.7	1.4			
60	74	19	2.65	15.43	3.6	1.5			
68	84	17	3.00	13.54	3.5	1.5			
71	87	16	2.70	13.10	3.4	1.4			
30	36	39	1.30	47.44	3.7	1.3	CG002-14P-63-04E CF002-14P-63-04E	8.4 9.7	136
33	41	35	1.45	42.34	3.7	1.3			
38	47	30	1.70	36.85	3.8	1.4			
43	52	27	1.90	32.89	3.8	1.4			
48	59	24	2.10	29.33	3.8	1.4			
54	66	21	2.35	26.18	3.7	1.4			
61	75	19	2.70	23.00	3.6	1.5			
68	84	17	3.00	20.53	3.5	1.5			
81	100	14	3.55	17.29	3.3	1.5			
83	102	14	2.30	16.86	3.2	1.5			
91	111	13	4.00	15.43	3.2	1.5			
104	127	11	4.55	13.54	3.0	1.5			
107	131	11	4.05	13.10	3.0	1.5			
116	142	10	5.10	12.08	2.9	1.5			
135	165	9	5.30	10.42	2.8	1.5			
141	173	8	6.15	9.97	2.8	1.6			
158	193	7	6.90	8.90	2.7	1.6			
172	210	7	6.75	8.17	2.6	1.5			
204	250	6	8.75	6.88	2.5	1.6			
229	280	5	10.00	6.14	2.4	1.6			
292	357	4	9.95	4.81	2.2	1.6			
397	486	3	12.15	3.54	2.0	1.6			

Legend see page 29

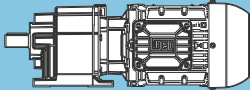
P _N = 0.18 kW								IE3	
50 Hz		60 Hz		i	at 50 Hz			m kg	Dimension sheet see page
0.18 kW		0.22 kW			F _{rN} kN	F _{aN} kN			
n ₅₀ min ⁻¹	n ₆₀ min ⁻¹	M ₂ Nm	f _B						
0.07	0.09	21474	0.85	12662.22	101.9	21.0	CG165-14P-71-06E CF165-14P-71-06E	698 721	170
0.08	0.10	18878	1.00	11217.58	110.7	23.3			
0.09	0.11	16740	1.10	9998.22	116.7	25.3			
0.10	0.12	15293	1.20	9181.16	120.2	26.6			
0.12	0.14	12748	1.45	7752.38	125.4	28.9			
0.13	0.16	11532	1.60	7067.08	127.4	30.0			
0.14	0.17	10247	1.80	6345.03	129.4	31.2			
0.17	0.21	8468	2.15	5339.57	131.7	32.8			
0.18	0.23	7666	2.35	4884.00	132.5	33.5			
0.21	0.25	6735	2.70	4369.98	133.4	34.4			
0.08	0.09	20212	0.90	18322.05	106.4	22.1	CG165-14P-63-04F CF165-14P-63-04F	695 718	170
0.09	0.11	16907	1.10	15484.09	116.3	25.1			
0.10	0.12	15757	1.15	14467.28	119.1	26.2			
0.11	0.13	13650	1.35	12662.22	123.7	28.1			
0.12	0.15	11968	1.55	11217.58	126.7	29.6			
0.14	0.17	10558	1.75	9998.22	128.9	30.9			
0.15	0.19	9620	1.90	9181.16	130.2	31.8			
0.18	0.22	7956	2.30	7752.38	132.2	33.3			
0.20	0.24	7159	2.55	7067.08	133.0	34.0			
0.22	0.27	6328	2.85	6345.03	133.8	34.8			
0.48	0.59	3050	2.65	1891.77	73.7	26.0	CG134-14P-71-06E CF134-14P-71-06E	287 289	160
0.34	0.42	4551	1.00	2636.78	35.3	21.4	CG104-14P-71-06E CF104-14P-71-06E	173 177	156
0.40	0.50	3816	1.20	2229.16	38.6	22.3			
0.42	0.51	3684	1.25	2156.24	39.1	22.5			
0.49	0.61	3082	1.50	1822.91	41.1	23.3			
0.53	0.65	2867	1.60	1702.59	41.8	23.6			
0.63	0.77	2394	1.90	1439.39	42.9	24.2			
0.68	0.84	2178	2.10	1320.15	43.4	24.4			
0.81	0.99	1811	2.50	1116.07	44.1	24.9			
0.83	1.0	1746	2.60	1080.49	44.2	25.0			
0.52	0.64	2896	1.60	2636.78	41.7	23.5	CG104-14P-63-04F CF104-14P-63-04F	170 174	156
0.62	0.76	2418	1.90	2229.16	42.9	24.1			
0.64	0.79	2334	1.95	2156.24	43.1	24.2			
0.76	0.93	1941	2.35	1822.91	43.9	24.7			
0.81	1.0	1801	2.50	1702.59	44.1	24.9			
0.40	0.49	3947	0.80	2268.18	12.8	24.2	CG094-14P-71-06E CF094-14P-71-06E	130 128	152
0.42	0.52	3689	0.85	2124.27	16.5	24.5			
0.49	0.60	3208	0.95	1854.82	21.3	25.3			
0.54	0.66	2889	1.05	1677.34	23.7	25.7			
0.55	0.68	2825	1.10	1643.20	24.1	25.8			
0.61	0.76	2507	1.20	1464.58	25.9	26.3			
0.67	0.83	2288	1.35	1344.90	27.0	26.6			
0.69	0.85	2208	1.40	1300.57	27.4	26.7			
0.79	0.98	1912	1.60	1135.60	28.6	27.2			
0.85	1.0	1785	1.70	1064.47	29.0	27.4			
0.87	1.1	1732	1.75	1035.22	29.2	27.4			
0.97	1.2	1543	1.95	929.45	29.8	27.7			
1.1	1.4	1343	2.25	819.36	30.3	28.0			
1.2	1.4	1277	2.35	782.16	30.4	28.1			
1.3	1.6	1156	2.60	715.43	30.7	28.3			
1.4	1.7	1019	2.95	640.13	31.0	28.5			



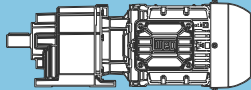
Legend see page 29

P _N = 0.18 kW								IE3	
50 Hz		60 Hz		i	at 50 Hz			m kg	Dimension sheet see page
0.18 kW	0.22 kW	M ₂ Nm	f _b		F _{IN} kN	F _{aN} kN			
n ₅₀ min ⁻¹	n ₆₀ min ⁻¹								
0.42	0.52	3717	0.85	3282.02	16.1	24.5	CG094-14P-63-04F CF094-14P-63-04F	128 126	152
0.51	0.63	3021	1.00	2683.89	22.7	25.5			
0.53	0.65	2918	1.05	2597.68	23.5	25.7			
0.61	0.75	2532	1.20	2268.18	25.8	26.3			
0.65	0.80	2362	1.30	2124.27	26.7	26.5			
0.74	0.92	2045	1.50	1854.82	28.1	27.0			
0.82	1.0	1838	1.65	1677.34	28.8	27.3			
0.84	1.0	1797	1.70	1643.20	29.0	27.3			
0.94	1.2	1589	1.90	1464.58	29.6	27.7			
1.0	1.3	1447	2.10	1344.90	30.0	27.9			
1.1	1.3	1396	2.15	1300.57	30.1	27.9			
1.2	1.5	1201	2.50	1135.60	30.6	28.2			
1.3	1.6	1117	2.70	1064.47	30.8	28.4			
2.4	3.0	705	2.20	368.94	23.7	21.1	CG083-14P-71-06E CF083-14P-71-06E	65 69	148
3.2	3.9	544	2.85	284.84	24.0	21.4			
2.6	3.2	671	1.25	351.33	11.9	13.5	CG073-14P-71-06E CF073-14P-71-06E	41 45	146
2.8	3.5	610	1.35	319.60	12.3	13.5			
3.2	4.0	532	1.55	278.44	12.7	13.9			
3.6	4.4	484	1.70	253.30	13.0	13.9			
4.2	5.1	413	2.00	216.20	13.3	14.3			
4.6	5.6	376	2.20	196.68	13.4	14.3			
5.1	6.3	339	2.45	177.39	13.5	14.5			
5.6	6.9	308	2.70	161.38	13.6	14.5			
3.9	4.8	438	1.90	351.33	13.2	14.2	CG073-14P-63-04F CF073-14P-63-04F	38 42	146
4.3	5.3	398	2.10	319.60	13.3	14.2			
5.0	6.1	347	2.40	278.44	13.5	14.4			
5.4	6.7	316	2.60	253.30	13.6	14.4			
2.4	3.0	718	0.85	375.71	6.6	6.0	CG063-14P-71-06E CF063-14P-71-06E	24 29	144
2.6	3.2	658	0.95	344.51	7.5	6.2			
2.9	3.6	587	1.05	307.24	8.4	6.4			
3.2	3.9	538	1.15	281.73	8.9	6.5			
3.7	4.6	463	1.30	242.60	9.6	6.8			
4.0	5.0	425	1.45	222.46	9.9	6.9			
4.8	5.9	359	1.70	188.11	10.3	7.1			
5.2	6.4	329	1.85	172.49	10.4	7.1			
5.8	7.2	294	2.05	153.96	10.6	7.2			
6.4	7.9	270	2.25	141.17	10.7	7.3			
7.6	9.4	226	2.70	118.51	10.9	7.4			
8.3	10	208	2.90	108.67	10.9	7.5			
3.7	4.5	468	1.30	375.71	9.6	6.7	CG063-14P-63-04F CF063-14P-63-04F	22 27	144
4.0	4.9	429	1.40	344.51	9.8	6.8			
4.5	5.5	383	1.60	307.24	10.1	7.0			
4.9	6.0	351	1.75	281.73	10.3	7.1			
5.7	7.0	302	2.00	242.60	10.6	7.2			
6.2	7.6	277	2.20	222.46	10.7	7.3			
7.3	9.0	234	2.60	188.11	10.8	7.4			
8.0	9.9	215	2.80	172.49	10.9	7.5			
3.4	4.1	512	0.80	267.93	1.5	5.8	CG053-14P-71-06E CF053-14P-71-06E	19 24	142
3.7	4.6	465	0.90	243.57	3.5	6.0			
4.2	5.2	408	1.00	213.71	4.8	6.2			
4.6	5.7	371	1.10	194.29	5.4	6.4			
5.4	6.7	316	1.30	165.45	6.1	6.7			
6.0	7.4	287	1.40	150.41	6.4	6.8			
6.8	8.3	254	1.60	132.97	6.7	6.9			
7.4	9.2	231	1.75	120.88	6.9	7.0			
8.9	11	194	2.10	101.55	7.2	7.2			
9.7	12	176	2.30	92.32	7.3	7.3			
12	14	149	2.70	77.79	7.4	7.4			
13	16	135	3.00	70.71	7.5	7.5			

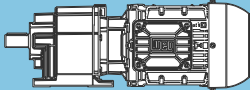
Legend see page 29

P_N = 0.18 kW								IE3	
50 Hz		60 Hz		i	at 50 Hz			m kg	Dimension sheet see page
0.18 kW		0.22 kW			F_{rN} kN	F_{aN} kN			
n₅₀ min ⁻¹	n₆₀ min ⁻¹	M₂ Nm	f_B						
4.2	5.2	409	1.00	328.43	4.8	6.2	CG053-14P-63-04F CF053-14P-63-04F	17 22	142
4.6	5.7	372	1.10	298.57	5.4	6.4			
5.2	6.3	334	1.20	267.93	5.9	6.6			
5.7	7.0	303	1.35	243.57	6.3	6.7			
6.5	8.0	266	1.55	213.71	6.6	6.9			
7.1	8.8	242	1.70	194.29	6.8	7.0			
8.3	10	206	1.95	165.45	7.1	7.2			
9.2	11	187	2.15	150.41	7.2	7.2			
10	13	166	2.45	132.97	7.3	7.3			
11	14	151	2.70	120.88	7.4	7.4			
15	19	112	2.25	58.85	7.5	7.6	CG052-14P-71-06E CF052-14P-71-06E	19 24	142
17	21	102	2.25	53.50	7.6	7.6			
25	31	68	2.25	35.67	7.7	7.7			
7.0	8.6	247	0.85	129.39	4.0	3.0	CG033-14P-71-06E CF033-14P-71-06E	15 17	140
8.2	10	210	1.00	109.79	4.6	3.3			
9.0	11	190	1.10	99.71	4.9	3.4			
10	13	164	1.25	85.78	5.2	3.6			
12	14	149	1.35	77.90	5.3	3.7			
14	17	122	1.65	64.05	5.5	3.8			
15	19	111	1.85	58.17	5.6	3.9			
19	23	92	2.20	48.22	5.7	4.0			
21	25	84	2.40	43.79	5.7	4.1			
25	31	68	3.00	35.38	5.8	4.2			
6.8	8.4	252	0.80	202.55	3.9	3.0	CG033-14P-63-04F CF033-14P-63-04F	12 14	140
7.6	9.4	225	0.90	180.83	4.4	3.2			
8.4	10	205	1.00	164.23	4.7	3.3			
9.7	12	177	1.15	142.47	5.0	3.5			
11	13	161	1.25	129.39	5.2	3.6			
13	15	137	1.50	109.79	5.4	3.7			
14	17	124	1.65	99.71	5.5	3.8			
16	20	107	1.90	85.78	5.6	3.9			
18	22	97	2.10	77.90	5.7	4.0			
22	27	80	2.55	64.05	5.8	4.1			
24	29	72	2.80	58.17	5.8	4.1			
21	26	82	2.25	42.88	5.7	4.1	CG032-14P-71-06E CF032-14P-71-06E	15 17	140
23	29	74	2.30	38.95	5.8	4.1			
37	46	46	2.25	24.03	5.9	4.3			
17	21	99	0.90	51.80	2.8	1.0	CG012-14P-71-06E CF012-14P-71-06E	12 13	138
19	24	89	1.00	46.42	3.0	1.0			
21	26	80	1.10	42.00	3.1	1.1			
24	29	72	1.20	37.64	3.2	1.2			
27	34	63	1.35	33.09	3.3	1.2			
30	37	57	1.55	29.65	3.4	1.3			
35	44	49	1.75	25.50	3.4	1.3			
36	44	48	0.90	25.05	3.4	1.2			
39	49	44	1.95	22.85	3.5	1.3			
45	56	38	2.25	19.92	3.5	1.4			
46	57	37	1.80	19.51	3.5	1.3			
50	62	34	2.50	17.85	3.5	1.4			
57	70	30	2.20	15.82	3.5	1.4			
61	75	28	3.00	14.88	3.5	1.4			
72	89	24	2.80	12.46	3.5	1.4			
21	26	83	1.05	66.50	3.1	1.1	CG012-14P-63-04F CF012-14P-63-04F	9.7 11	138
23	29	74	1.15	59.59	3.2	1.1			
27	33	65	1.35	51.80	3.3	1.2			
30	37	58	1.50	46.42	3.4	1.2			
33	40	52	1.65	42.00	3.4	1.3			
37	45	47	1.85	37.64	3.4	1.3			
42	51	41	2.10	33.09	3.5	1.4			
47	57	37	2.35	29.65	3.5	1.4			
54	67	32	2.70	25.50	3.5	1.4			
55	68	31	1.35	25.05	3.5	1.3			
60	74	28	3.00	22.85	3.5	1.4			
71	87	24	2.75	19.51	3.6	1.4			

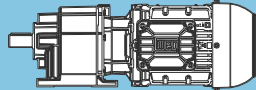


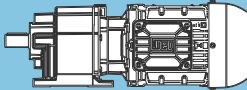
P _N = 0.18 kW								IE3	
50 Hz		60 Hz		i	at 50 Hz			m kg	Dimension sheet see page
0.18 kW		0.22 kW			F _{IN} kN	F _{aIN} kN			
n ₅₀ min ⁻¹	n ₆₀ min ⁻¹	M ₂ Nm	f _B						
27	34	63	0.80	32.89	3.6	1.1	CG002-14P-71-06E CF002-14P-71-06E	11 12	136
31	38	56	0.90	29.33	3.6	1.2			
34	42	50	1.00	26.18	3.7	1.2			
39	48	44	1.15	23.00	3.7	1.3			
44	54	39	1.30	20.53	3.7	1.3			
52	64	33	1.55	17.29	3.7	1.4			
53	66	32	1.00	16.86	3.6	1.2			
58	72	29	1.70	15.43	3.6	1.4			
66	82	26	1.95	13.54	3.4	1.4			
69	85	25	1.75	13.10	3.4	1.3			
74	92	23	2.20	12.08	3.3	1.4			
86	106	20	2.30	10.42	3.1	1.4			
90	111	19	2.65	9.97	3.1	1.5			
101	125	17	2.95	8.90	3.0	1.5			
110	136	16	2.90	8.17	2.9	1.4			
29	36	59	0.85	47.44	3.6	1.1	CG002-14P-63-04F CF002-14P-63-04F	8.6 9.9	136
33	40	53	0.95	42.34	3.6	1.2			
37	46	46	1.10	36.85	3.7	1.3			
42	52	41	1.25	32.89	3.7	1.3			
47	58	37	1.40	29.33	3.7	1.3			
53	65	33	1.55	26.18	3.7	1.4			
60	74	29	1.75	23.00	3.5	1.4			
67	83	26	2.00	20.53	3.4	1.4			
80	98	22	2.35	17.29	3.3	1.4			
82	101	21	1.50	16.86	3.2	1.4			
89	110	19	2.65	15.43	3.1	1.5			
102	126	17	3.00	13.54	3.0	1.5			
105	130	16	2.65	13.10	3.0	1.4			
114	141	15	3.35	12.08	2.9	1.5			
132	163	13	3.50	10.42	2.8	1.5			
138	171	12	4.05	9.97	2.8	1.5			
155	191	11	4.55	8.90	2.7	1.5			
169	208	10	4.45	8.17	2.6	1.5			
201	247	9	5.75	6.88	2.4	1.6			
225	277	8	6.55	6.14	2.4	1.6			
225	277	8	5.50	6.14	2.3	1.5			
287	353	6	6.55	4.81	2.2	1.6			
390	480	4	7.95	3.54	2.0	1.6			

Legend see page 29

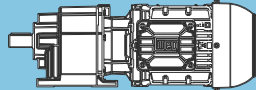
P _N = 0.25 kW								IE3				
50 Hz		60 Hz		i	at 50 Hz			m kg	Dimension sheet see page			
0.25 kW		0.30 kW			F _{rN} kN	F _{aN} kN						
n ₅₀ min ⁻¹	n ₆₀ min ⁻¹	M ₂ Nm	f _B									
0.10	0.12	22193	0.85	9998.22	99.1	20.3	CG165-14P-80-06D CF165-14P-80-06D	698 721	170			
0.12	0.15	16989	1.10	7752.38	116.0	25.1						
0.14	0.17	15408	1.20	7067.08	119.9	26.5						
0.15	0.19	13727	1.35	6345.03	123.5	28.0						
0.18	0.22	11404	1.60	5339.57	127.6	30.1						
0.20	0.24	10351	1.75	4884.00	129.2	31.1						
0.22	0.27	9142	2.00	4369.98	130.9	32.2						
0.26	0.32	7561	2.40	3690.13	132.6	33.6						
0.27	0.33	7223	2.50	3543.61	133.0	33.9						
0.09	0.11	23846	0.80	15484.09	92.0	18.8	CG165-14P-71-04E CF165-14P-71-04E	696 719	170			
0.10	0.12	22224	0.85	14467.28	99.0	20.3						
0.11	0.13	19351	0.95	12662.22	109.3	22.9						
0.12	0.15	17012	1.10	11217.58	116.0	25.0						
0.14	0.17	15085	1.20	9998.22	120.6	26.8						
0.15	0.19	13746	1.35	9181.16	123.5	28.0						
0.18	0.22	11458	1.60	7752.38	127.6	30.1						
0.20	0.24	10365	1.75	7067.08	129.2	31.1						
0.22	0.27	9186	2.00	6345.03	130.8	32.2						
0.26	0.32	7572	2.40	5339.57	132.6	33.6						
0.28	0.35	6836	2.65	4884.00	133.3	34.3						
0.32	0.39	6006	3.00	4369.98	134.1	35.0						
0.44	0.55	4516	2.90	2162.84	109.7	23.0	CG144-14P-80-06D CF144-14P-80-06D	434 452	164			
0.50	0.63	4110	1.95	1891.77	72.2	24.8	CG134-14P-80-06D CF134-14P-80-06D	287 289	160			
0.58	0.72	3516	2.30	1642.17	73.1	25.5						
0.65	0.81	3088	2.60	1460.54	73.6	26.0						
0.67	0.84	2988	2.70	1418.83	73.7	26.1						
0.73	0.90	2728	2.95	1891.77	74.0	26.4	CG134-14P-71-04E CF134-14P-71-04E	285 287	160			
0.43	0.53	5057	0.90	2229.16	32.4	20.8	CG104-14P-80-06D CF104-14P-80-06D	173 177	156			
0.44	0.55	4881	0.95	2156.24	33.4	21.0						
0.52	0.65	4101	1.10	1822.91	37.4	22.0						
0.56	0.70	3815	1.20	1702.59	38.6	22.3						
0.66	0.82	3192	1.45	1439.39	40.8	23.1						
0.72	0.90	2916	1.55	1320.15	41.6	23.5						
0.86	1.1	2435	1.85	1116.07	42.9	24.1						
0.88	1.1	2347	1.95	1080.49	43.0	24.2						
1.0	1.3	1952	2.35	913.46	43.8	24.7						
1.1	1.4	1759	2.60	831.69	44.2	25.0						
0.52	0.64	4106	1.10	2636.78	37.4	22.0	CG104-14P-71-04E CF104-14P-71-04E	171 175	156			
0.62	0.76	3435	1.35	2229.16	40.0	22.8						
0.64	0.79	3316	1.40	2156.24	40.4	23.0						
0.76	0.93	2775	1.65	1822.91	42.0	23.7						
0.81	1.0	2581	1.75	1702.59	42.5	23.9						
0.96	1.2	2151	2.10	1439.39	43.5	24.5						
1.0	1.3	1952	2.35	1320.15	43.8	24.7						
1.2	1.5	1620	2.80	1116.07	44.4	25.1						
1.3	1.6	1561	2.90	1080.49	44.5	25.2						
0.57	0.71	3821	0.80	1677.34	14.8	24.4				CG094-14P-80-06D CF094-14P-80-06D	131 129	152
0.58	0.72	3735	0.85	1643.20	15.9	24.5						
0.65	0.81	3316	0.95	1464.58	20.4	25.1						
0.71	0.88	3038	1.00	1344.90	22.6	25.5						
0.73	0.91	2932	1.05	1300.57	23.4	25.7						
0.84	1.0	2545	1.20	1135.60	25.7	26.2						
0.90	1.1	2375	1.30	1064.47	26.6	26.5						
0.92	1.1	2310	1.30	1035.22	26.9	26.6						
1.0	1.3	2057	1.50	929.45	28.0	27.0						
1.2	1.4	1799	1.70	819.36	29.0	27.3						
1.3	1.7	1554	1.95	715.43	29.7	27.7						
1.5	1.9	1376	2.20	640.13	30.2	28.0						
1.8	2.2	1141	2.65	540.55	30.7	28.3						
1.9	2.3	1060	2.85	506.66	30.9	28.4						

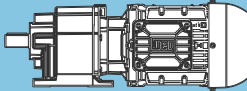
Legend see page 29

P _N = 0.25 kW								IE3	
50 Hz		60 Hz		i	at 50 Hz			m kg	Dimension sheet see page
0.25 kW		0.30 kW			F _{IN} kN	F _{aN} kN			
n ₅₀ min ⁻¹	n ₆₀ min ⁻¹	M ₂ Nm	f _b						
0.61	0.75	3568	0.85	2268.18	17.9	24.7	CG094-14P-71-04E CF094-14P-71-04E	128 126	152
0.65	0.8	3335	0.90	2124.27	20.2	25.1			
0.74	0.92	2894	1.05	1854.82	23.6	25.7			
0.82	1.0	2601	1.20	1677.34	25.4	26.2			
0.84	1.0	2548	1.20	1643.20	25.7	26.2			
0.94	1.2	2257	1.35	1464.58	27.2	26.7			
1.0	1.3	2060	1.50	1344.90	28.0	27.0			
1.1	1.3	1988	1.55	1300.57	28.3	27.1			
1.2	1.5	1721	1.75	1135.60	29.2	27.5			
1.3	1.6	1604	1.90	1064.47	29.6	27.6			
1.5	1.8	1383	2.20	929.45	30.2	28.0			
1.7	2.1	1204	2.50	819.36	30.6	28.2			
1.8	2.2	1142	2.65	782.16	30.7	28.3			
1.9	2.4	1032	2.95	715.43	30.9	28.5			
2.6	3.2	922	1.70	368.94	23.1	20.6	CG083-14P-80-06D CF083-14P-80-06D	65 69	148
3.4	4.2	712	2.20	284.84	23.7	21.0			
4.0	5.0	597	2.60	238.89	23.9	21.3			
3.7	4.6	638	2.45	368.94	23.9	21.2	CG083-14P-71-04E CF083-14P-71-04E	63 67	148
2.7	3.4	878	0.95	351.33	10.1	13.0			
3.0	3.7	799	1.05	319.60	10.9	13.0			
3.4	4.3	696	1.20	278.44	11.7	13.5			
3.8	4.7	633	1.30	253.30	12.2	13.5			
4.4	5.5	541	1.55	216.20	12.7	13.9			
4.9	6.0	492	1.70	196.68	12.9	13.9			
5.4	6.7	443	1.85	177.39	13.2	14.2			
5.9	7.3	403	2.05	161.38	13.3	14.2			
7.0	8.6	343	2.40	137.38	13.5	14.5			
7.6	9.5	312	2.65	124.97	13.6	14.4			
3.9	4.8	608	1.35	351.33	12.3	13.7	CG073-14P-80-06D CF073-14P-80-06D	41 45	146
4.3	5.3	553	1.50	319.60	12.6	13.7			
5.0	6.1	482	1.75	278.44	13.0	14.1			
5.4	6.7	438	1.90	253.30	13.2	14.1			
6.4	7.9	374	2.20	216.20	13.4	14.4			
7.0	8.6	340	2.45	196.68	13.5	14.4			
7.8	9.6	307	2.70	177.39	13.6	14.6			
8.6	11	279	2.95	161.38	13.7	14.5			
3.1	3.9	768	0.80	307.24	5.6	5.9	CG063-14P-80-06D CF063-14P-80-06D	25 30	144
3.4	4.2	704	0.90	281.73	6.8	6.0			
3.9	4.9	606	1.00	242.60	8.2	6.3			
4.3	5.3	556	1.10	222.46	8.8	6.5			
5.1	6.3	470	1.30	188.11	9.5	6.7			
5.5	6.9	431	1.40	172.49	9.8	6.8			
6.2	7.7	385	1.60	153.96	10.1	7.0			
6.8	8.4	353	1.75	141.17	10.3	7.1			
8.1	10	296	2.05	118.51	10.6	7.2			
8.8	11	272	2.25	108.67	10.7	7.3			
11	13	224	2.70	89.54	10.9	7.5			
12	14	205	2.95	82.10	10.9	7.5			
3.7	4.5	650	0.95	375.71	7.7	6.2	CG063-14P-71-04E CF063-14P-71-04E	22 27	144
4.0	4.9	596	1.05	344.51	8.3	6.4			
4.5	5.5	532	1.15	307.24	9.0	6.6			
4.9	6.0	487	1.25	281.73	9.4	6.7			
5.7	7.0	420	1.45	242.60	9.9	6.9			
6.2	7.6	385	1.60	222.46	10.1	7.0			
7.3	9.0	325	1.85	188.11	10.5	7.2			
8.0	9.9	298	2.05	172.49	10.6	7.2			
9.0	11	266	2.30	153.96	10.7	7.3			
9.8	12	244	2.50	141.17	10.8	7.4			
12	14	205	2.95	118.51	10.9	7.5			
16	20	150	2.80	60.00	11.1	7.7			
17	22	138	2.80	55.02	11.1	7.7			
29	35	84	2.85	33.43	11.2	7.8			

P _N = 0.25 kW								IE3	
50 Hz		60 Hz		i	at 50 Hz			m kg	Dimension sheet see page
0.25 kW		0.30 kW			F _{rN} kN	F _{aN} kN			
n ₅₀ min ⁻¹	n ₆₀ min ⁻¹	M ₂ Nm	f _B						
4.9	6.1	486	0.85	194.29	2.8	5.9	CG053-14P-80-06D CF053-14P-80-06D	20 25	142
5.8	7.2	414	1.00	165.45	4.7	6.2			
6.3	7.9	376	1.10	150.41	5.4	6.4			
7.2	8.9	332	1.25	132.97	6.0	6.6			
7.9	9.8	302	1.35	120.88	6.3	6.7			
9.4	12	254	1.60	101.55	6.7	6.9			
10	13	231	1.75	92.32	6.9	7.0			
12	15	194	2.10	77.79	7.2	7.2			
14	17	177	2.30	70.71	7.3	7.3			
15	19	154	2.60	61.63	7.4	7.4			
17	21	140	2.90	56.02	7.4	7.5			
4.6	5.7	517	0.80	298.57	1.1	5.7	CG053-14P-71-04E CF053-14P-71-04E	18 23	142
5.2	6.3	464	0.90	267.93	3.6	6.0			
5.7	7.0	421	0.95	243.57	4.6	6.2			
6.5	8.0	370	1.10	213.71	5.4	6.4			
7.1	8.8	336	1.20	194.29	5.9	6.5			
8.3	10	286	1.40	165.45	6.5	6.8			
9.2	11	260	1.55	150.41	6.7	6.9			
10	13	230	1.75	132.97	6.9	7.1			
11	14	209	1.95	120.88	7.1	7.1			
14	17	176	2.30	101.55	7.3	7.3			
15	18	160	2.55	92.32	7.3	7.4			
18	22	135	3.00	77.79	7.5	7.5			
16	20	147	1.70	58.85	7.4	7.4	CG052-14P-80-06D CF052-14P-80-06D	19 24	142
18	22	134	1.70	53.50	7.5	7.5			
20	25	120	2.85	48.13	7.5	7.6			
22	27	109	2.85	43.75	7.5	7.6			
27	33	89	1.70	35.67	7.6	7.6			
33	41	73	2.80	29.17	7.6	7.7			
23	29	102	2.50	58.85	7.6	7.6	CG052-14P-71-04E CF052-14P-71-04E	17 22	142
26	32	93	2.50	53.50	7.6	7.7			
39	48	62	2.45	35.67	7.7	7.7			
9.6	12	249	0.85	99.71	3.9	3.0	CG033-14P-80-06D CF033-14P-80-06D	16 18	140
11	14	214	0.95	85.78	4.5	3.3			
12	15	195	1.05	77.90	4.8	3.4			
15	19	160	1.25	64.05	5.2	3.6			
16	20	145	1.40	58.17	5.3	3.7			
17	21	138	1.45	55.25	5.4	3.7			
19	24	125	1.60	50.18	5.5	3.8			
20	25	121	1.70	48.22	5.5	3.8			
22	27	109	1.85	43.79	5.6	3.9			
27	34	88	2.30	35.38	5.7	4.0			
30	37	80	2.50	32.13	5.8	4.1			
9.7	12	246	0.85	142.47	4.0	3.1	CG033-14P-71-04E CF033-14P-71-04E	13 15	140
11	13	224	0.90	129.39	4.4	3.2			
13	15	190	1.10	109.79	4.9	3.4			
14	17	173	1.20	99.71	5.1	3.5			
16	20	148	1.35	85.78	5.3	3.7			
18	22	135	1.50	77.90	5.4	3.7			
22	27	111	1.85	64.05	5.6	3.9			
24	29	101	2.00	58.17	5.7	4.0			
29	35	83	2.40	48.22	5.7	4.1			
32	39	76	2.65	43.79	5.8	4.1			
22	28	107	1.75	42.88	5.6	3.9	CG032-14P-80-06D CF032-14P-80-06D	15 17	140
25	30	97	1.75	38.95	5.7	4.0			
27	34	87	2.30	34.88	5.7	4.1			
30	37	79	2.55	31.67	5.8	4.1			
34	43	69	2.90	27.71	5.8	4.2			
40	49	60	1.75	24.03	5.8	4.1			
49	61	49	2.65	19.54	5.6	4.2			
32	40	74	2.50	42.88	5.8	4.1	CG032-14P-71-04E CF032-14P-71-04E	13 15	140
35	44	67	2.50	38.95	5.8	4.2			
57	71	42	2.50	24.03	5.3	4.3			

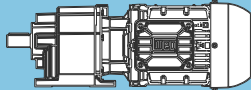


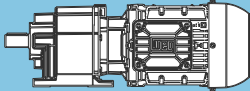
P _N = 0.25 kW								IE3	
50 Hz		60 Hz		i	at 50 Hz			m kg	Dimension sheet see page
0.25 kW		0.30 kW			F _{IN} kN	F _{aN} kN			
n ₅₀ min ⁻¹	n ₆₀ min ⁻¹	M ₂ Nm	f _b						
23	28	105	0.85	42.00	2.7	1.0	CG012-14P-80-06D CF012-14P-80-06D	13 14	138
25	32	94	0.95	37.64	2.9	1.0			
29	36	83	1.05	33.09	3.1	1.1			
32	40	74	1.15	29.65	3.2	1.1			
37	47	64	1.35	25.50	3.3	1.2			
42	52	57	1.50	22.85	3.4	1.3			
48	60	50	1.75	19.92	3.4	1.3			
49	61	49	1.40	19.51	3.4	1.2			
53	66	45	1.95	17.85	3.5	1.3			
60	75	40	1.70	15.82	3.5	1.3			
64	80	37	2.30	14.88	3.5	1.4			
72	89	33	2.60	13.33	3.5	1.4			
74	92	32	2.65	12.83	3.5	1.4			
77	95	31	2.15	12.46	3.4	1.3			
83	103	29	3.00	11.50	3.4	1.4			
85	106	28	3.00	11.20	3.3	1.4			
99	123	24	2.75	9.60	3.2	1.4			
23	29	103	0.85	59.59	2.8	1.0	CG012-14P-71-04E CF012-14P-71-04E	11 12	138
27	33	90	0.95	51.80	3.0	1.0			
30	37	80	1.10	46.42	3.1	1.1			
33	40	73	1.20	42.00	3.2	1.2			
37	45	65	1.35	37.64	3.3	1.2			
42	51	57	1.50	33.09	3.4	1.3			
47	57	51	1.70	29.65	3.4	1.3			
54	67	44	1.95	25.50	3.5	1.3			
55	68	43	0.95	25.05	3.5	1.2			
60	74	40	2.20	22.85	3.5	1.4			
69	85	34	2.50	19.92	3.5	1.4			
71	87	34	2.00	19.51	3.5	1.3			
77	95	31	2.80	17.85	3.4	1.4			
87	107	27	2.45	15.82	3.3	1.4			
36	45	65	0.80	26.18	3.5	1.1	CG002-14P-80-06D CF002-14P-80-06D	12 13	136
42	52	58	0.90	23.00	3.6	1.2			
47	58	51	1.00	20.53	3.6	1.2			
55	69	43	1.20	17.29	3.6	1.3			
62	77	39	1.30	15.43	3.4	1.3			
71	88	34	1.50	13.54	3.3	1.3			
73	91	33	1.35	13.10	3.2	1.2			
79	98	30	1.70	12.08	3.2	1.4			
92	114	26	1.75	10.42	3.0	1.3			
96	119	25	2.05	9.97	3.0	1.4			
107	133	22	2.25	8.90	2.9	1.4			
117	145	20	2.25	8.17	2.8	1.4			
139	173	17	2.90	6.88	2.7	1.5			
155	193	15	2.75	6.14	2.6	1.4			
37	46	64	0.80	36.85	3.5	1.1	CG002-14P-71-04E CF002-14P-71-04E	9.5 11	136
42	52	57	0.90	32.89	3.6	1.2			
47	58	51	1.00	29.33	3.6	1.2			
53	65	45	1.15	26.18	3.6	1.2			
60	74	40	1.30	23.00	3.5	1.3			
67	83	36	1.45	20.53	3.4	1.3			
80	98	30	1.70	17.29	3.2	1.4			
82	101	29	1.10	16.86	3.1	1.3			
89	110	27	1.90	15.43	3.1	1.4			
102	126	23	2.15	13.54	3.0	1.4			
105	130	23	1.90	13.10	2.9	1.4			
114	141	21	2.40	12.08	2.9	1.5			
132	163	18	2.50	10.42	2.7	1.4			
138	171	17	2.90	9.97	2.7	1.5			
155	191	15	3.25	8.90	2.6	1.5			
169	208	14	3.20	8.17	2.5	1.5			
201	247	12	4.15	6.88	2.4	1.5			
225	277	11	4.75	6.14	2.3	1.5			
287	353	8	4.70	4.81	2.1	1.5			
390	480	6	5.75	3.54	2.0	1.6			

P _N = 0.37 kW								IE3	
50 Hz		60 Hz		i	at 50 Hz			m kg	Dimension sheet see page
0.37 kW		0.44 kW			F _{rn} kN	F _{an} kN			
n ₅₀ min ⁻¹	n ₆₀ min ⁻¹	M ₂ Nm	f _B						
0.15	0.18	21521	0.85	6345.03	101.8	20.9	CG165-14P-80-06E CF165-14P-80-06E	700 723	170
0.17	0.21	17926	1.05	5339.57	113.5	24.2			
0.19	0.23	16312	1.15	4884.00	117.8	25.7			
0.21	0.26	14521	1.25	4369.98	121.9	27.3			
0.25	0.31	12105	1.50	3690.13	126.5	29.5			
0.26	0.32	11565	1.60	3543.61	127.4	30.0			
0.31	0.38	9704	1.90	3020.06	130.1	31.7			
0.38	0.47	7688	2.35	2448.96	132.5	33.5			
0.38	0.47	7527	2.40	2404.16	132.7	33.7			
0.45	0.56	6253	2.90	2050.07	133.9	34.8			
0.14	0.17	22544	0.80	9998.22	97.7	20.0	CG165-14P-71-04F CF165-14P-71-04F	697 720	170
0.15	0.19	20596	0.90	9181.16	105.1	21.8			
0.18	0.22	17257	1.05	7752.38	115.3	24.8			
0.20	0.24	15611	1.20	7067.08	119.4	26.3			
0.22	0.27	13944	1.30	6345.03	123.1	27.8			
0.26	0.32	11555	1.60	5339.57	127.4	30.0			
0.29	0.35	10487	1.75	4884.00	129.0	31.0			
0.32	0.39	9287	1.95	4369.98	130.7	32.1			
0.38	0.46	7681	2.35	3690.13	132.5	33.5			
0.46	0.57	6077	3.00	3020.06	134.0	35.0			
0.44	0.54	6737	2.70	2093.95	133.4	34.4	CG164-14P-80-06E CF164-14P-80-06E	687 710	168
0.43	0.53	7224	1.80	2162.84	107.1	20.3	CG144-14P-80-06E CF144-14P-80-06E	436 454	164
0.49	0.60	6221	2.10	1885.79	108.2	21.3			
0.55	0.68	5440	2.40	1669.82	109.0	22.0			
0.57	0.70	5270	2.50	1624.38	109.1	22.2			
0.64	0.78	4665	2.80	1455.92	109.6	22.8			
0.66	0.81	4459	2.95	1400.42	109.8	23.0			
0.64	0.79	4586	2.85	2162.84	109.7	22.9	CG144-14P-71-04F CF144-14P-71-04F	433 451	164
0.49	0.60	6464	1.25	1891.77	67.4	22.1	CG134-14P-80-06E CF134-14P-80-06E	289 291	160
0.56	0.69	5565	1.45	1642.17	69.5	23.1			
0.63	0.78	4909	1.65	1460.54	70.9	23.9			
0.65	0.80	4759	1.70	1418.83	71.2	24.1			
0.73	0.90	4217	1.90	1267.83	72.1	24.7			
0.76	0.93	4058	2.00	1224.91	72.3	24.9			
0.84	1.0	3591	2.25	1095.41	73.0	25.4			
0.87	1.1	3479	2.30	1063.29	73.1	25.5			
0.96	1.2	3106	2.60	961.31	73.6	26.0			
1.0	1.2	2950	2.75	918.68	73.8	26.1			
0.74	0.9	4164	1.95	1891.77	72.2	24.7	CG134-14P-71-04F CF134-14P-71-04F	286 288	160
0.85	1.0	3570	2.25	1642.17	73.0	25.4			
0.96	1.2	3129	2.60	1460.54	73.6	25.9			
0.98	1.2	3033	2.65	1418.83	73.7	26.0			
1.1	1.3	2671	3.00	1267.83	74.1	26.4			
0.54	0.67	5926	0.80	1702.59	25.8	19.7	CG104-14P-80-06E CF104-14P-80-06E	175 179	156
0.64	0.79	4979	0.95	1439.39	32.9	20.9			
0.70	0.86	4557	1.00	1320.15	35.2	21.4			
0.83	1.0	3821	1.20	1116.07	38.6	22.3			
0.86	1.1	3692	1.25	1080.49	39.1	22.5			
1.0	1.2	3089	1.50	913.46	41.1	23.3			
1.1	1.4	2795	1.65	831.69	42.0	23.6			
1.3	1.6	2334	1.95	703.12	43.1	24.2			
1.5	1.8	2064	2.20	628.39	43.6	24.6			
1.7	2.1	1713	2.65	531.25	44.2	25.0			
1.8	2.2	1651	2.75	514.28	44.3	25.1			



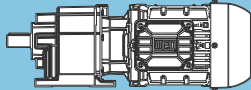
Legend see page 29

P _N = 0.37 kW							IE3		
50 Hz		60 Hz		i	at 50 Hz			m kg	Dimension sheet see page
0.37 kW		0.44 kW			F _{IN} kN	F _{aN} kN			
n ₅₀ min ⁻¹	n ₆₀ min ⁻¹	M ₂ Nm	f _b						
0.63	0.77	5124	0.90	2229.16	32.0	20.7	CG104-14P-80-06E CF104-14P-80-06E	172 176	156
0.65	0.79	4946	0.95	2156.24	33.1	20.9			
0.77	0.94	4156	1.10	1822.91	37.2	21.9			
0.82	1.0	3865	1.20	1702.59	38.4	22.3			
0.97	1.2	3241	1.40	1439.39	40.7	23.1			
1.1	1.3	2954	1.55	1320.15	41.5	23.4			
1.2	1.5	2467	1.85	1116.07	42.8	24.1			
1.3	1.6	2383	1.90	1080.49	43.0	24.2			
1.5	1.9	1982	2.30	913.46	43.8	24.7			
1.7	2.1	1786	2.55	831.69	44.1	24.9			
0.81	1.0	3952	0.80	1135.60	12.7	24.2	CG094-14P-80-06E CF094-14P-80-06E	133 131	152
0.87	1.1	3697	0.85	1064.47	16.4	24.5			
0.89	1.1	3596	0.85	1035.22	17.6	24.7			
1.0	1.2	3215	0.95	929.45	21.2	25.3			
1.1	1.4	2817	1.10	819.36	24.1	25.8			
1.2	1.5	2684	1.15	782.16	24.9	26.0			
1.3	1.6	2444	1.25	715.43	26.3	26.4			
1.4	1.8	2174	1.40	640.13	27.5	26.8			
1.5	1.8	2098	1.45	619.07	27.8	26.9			
1.7	2.1	1813	1.70	540.55	28.9	27.3			
1.8	2.2	1737	1.75	519.08	29.2	27.4			
2.1	2.6	1459	2.10	442.39	30.0	27.8			
2.1	2.6	1433	2.10	434.54	30.1	27.9			
2.3	2.8	1347	2.25	410.85	30.3	28.0			
2.6	3.2	1159	2.60	358.73	30.7	28.3			
2.7	3.3	1104	2.75	343.93	30.8	28.4			
0.83	1.0	3871	0.80	1677.34	14.0	24.3	CG094-14P-71-04F CF094-14P-71-04F	129 127	152
0.85	1.0	3792	0.80	1643.20	15.2	24.4			
0.95	1.2	3366	0.90	1464.58	19.9	25.0			
1.0	1.3	3078	1.00	1344.90	22.3	25.5			
1.1	1.3	2971	1.05	1300.57	23.1	25.6			
1.2	1.5	2578	1.20	1135.60	25.5	26.2			
1.3	1.6	2412	1.25	1064.47	26.4	26.4			
1.5	1.8	2089	1.45	929.45	27.9	26.9			
1.7	2.1	1826	1.65	819.36	28.9	27.3			
1.8	2.2	1736	1.75	782.16	29.2	27.4			
1.9	2.4	1575	1.95	715.43	29.7	27.7			
2.2	2.7	1397	2.15	640.13	30.1	27.9			
2.3	2.8	1346	2.25	619.07	30.3	28.0			
2.6	3.2	1158	2.60	540.55	30.7	28.3			
2.8	3.4	1076	2.80	506.66	30.9	28.4			
3.0	3.7	1172	2.60	306.73	30.7	28.3			
2.5	3.1	1409	1.10	368.94	21.1	19.6	CG083-14P-80-06E CF083-14P-80-06E	67 71	148
3.2	4.0	1088	1.45	284.84	22.5	20.3			
3.9	4.8	913	1.70	238.89	23.2	20.6			
4.9	6.1	716	2.20	187.48	23.7	21.0			
6.4	7.9	553	2.85	144.69	24.0	21.4			
3.8	4.6	935	1.70	368.94	23.1	20.6	CG083-14P-71-04F CF083-14P-71-04F	64 68	148
4.9	6.0	721	2.15	284.84	23.7	21.0			
5.8	7.2	605	2.60	238.89	23.9	21.3			
3.3	4.1	1064	0.80	278.44	7.6	12.5	CG073-14P-80-06E CF073-14P-80-06E	43 47	146
3.7	4.5	968	0.85	253.30	9.1	12.4			
4.3	5.3	826	1.00	216.20	10.6	13.1			
4.7	5.8	751	1.10	196.68	11.3	13.1			
5.2	6.4	678	1.25	177.39	11.9	13.5			
5.7	7.1	616	1.35	161.38	12.3	13.5			
6.7	8.3	525	1.60	137.38	12.8	13.9			
7.4	9.1	477	1.75	124.97	13.0	13.9			
8.9	11	399	2.10	104.50	13.3	14.3			
9.7	12	363	2.30	95.06	13.5	14.3			
11	13	329	2.50	86.17	13.6	14.5			
12	15	299	2.75	78.39	13.6	14.5			

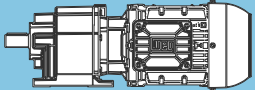
P_N = 0.37 kW								IE3				
50 Hz		60 Hz		i	at 50 Hz			m kg	Dimension sheet see page			
0.37 kW		0.44 kW			F_{rN} kN	F_{aN} kN						
n₅₀ min ⁻¹	n₆₀ min ⁻¹	M₂ Nm	f_B									
4.0	4.9	890	0.95	351.33	10.0	12.9	CG073-14P-71-04F CF073-14P-71-04F	40 44	146			
4.4	5.4	810	1.05	319.60	10.8	12.9						
5.0	6.1	705	1.20	278.44	11.7	13.5						
5.5	6.8	642	1.30	253.30	12.1	13.4						
6.5	7.9	548	1.50	216.20	12.7	13.9						
7.1	8.7	498	1.65	196.68	12.9	13.9						
7.9	9.6	449	1.85	177.39	13.1	14.2						
8.6	11	409	2.05	161.38	13.3	14.2						
10	12	348	2.40	137.38	13.5	14.4						
11	14	317	2.60	124.97	13.6	14.4						
4.9	6.1	719	0.85	188.11	6.6	6.0	CG063-14P-80-06E CF063-14P-80-06E	27 32	144			
5.4	6.6	659	0.95	172.49	7.5	6.2						
6.0	7.4	588	1.05	153.96	8.4	6.4						
6.6	8.1	539	1.15	141.17	8.9	6.5						
7.8	9.6	453	1.35	118.51	9.7	6.8						
8.5	10	415	1.45	108.67	9.9	6.9						
10	13	342	1.80	89.54	10.4	7.1						
11	14	314	1.95	82.10	10.5	7.2						
13	16	280	2.15	73.28	10.7	7.3						
14	17	257	2.35	67.19	10.8	7.3						
16	19	227	2.65	59.42	10.9	7.4	CG063-14P-71-04F CF063-14P-71-04F	23 28	144			
17	21	208	2.90	54.49	10.9	7.5						
4.5	5.6	778	0.80	307.24	5.4	5.8						
5.0	6.1	714	0.85	281.73	6.7	6.0						
5.8	7.0	614	1.00	242.60	8.1	6.3						
6.3	7.7	563	1.10	222.46	8.7	6.4						
7.4	9.1	476	1.30	188.11	9.5	6.7						
8.1	9.9	437	1.40	172.49	9.8	6.8						
9.1	11	390	1.55	153.96	10.1	7.0						
9.9	12	358	1.70	141.17	10.3	7.1						
12	14	300	2.00	118.51	10.6	7.2	CG062-14P-80-06E CF062-14P-80-06E	26 31	144			
13	16	275	2.20	108.67	10.7	7.3						
16	19	227	2.65	89.54	10.9	7.4						
17	21	208	2.90	82.10	10.9	7.5						
15	19	229	1.85	60.00	10.9	7.4						
17	21	210	1.85	55.02	10.9	7.5						
28	34	128	1.85	33.43	11.1	7.6						
23	29	152	2.80	60.00	11.1	7.7				CG062-14P-71-04F CF062-14P-71-04F	23 28	144
25	31	139	2.80	55.02	11.1	7.7						
42	51	85	2.80	33.43	11.2	7.7						
7.0	8.6	508	0.80	132.97	1.8	5.8	CG053-14P-80-06E CF053-14P-80-06E	22 27	142			
7.7	9.4	462	0.90	120.88	3.6	6.0						
9.1	11	388	1.05	101.55	5.2	6.3						
10	12	353	1.15	92.32	5.7	6.5						
12	15	297	1.35	77.79	6.3	6.8						
13	16	270	1.50	70.71	6.6	6.9						
15	18	235	1.70	61.63	6.9	7.0						
17	20	214	1.90	56.02	7.0	7.1						
19	23	188	2.15	49.20	7.2	7.2						
21	25	171	2.35	44.73	7.3	7.3						
7.2	8.8	492	0.85	194.29	2.6	5.8	CG053-14P-71-04F CF053-14P-71-04F	19 24	142			
8.4	10	419	1.00	165.45	4.6	6.2						
9.3	11	381	1.05	150.41	5.3	6.3						
10	13	337	1.20	132.97	5.9	6.6						
12	14	306	1.35	120.88	6.3	6.7						
14	17	257	1.60	101.55	6.7	6.9						
15	19	234	1.75	92.32	6.9	7.0						
18	22	197	2.05	77.79	7.1	7.2						
20	24	179	2.25	70.71	7.2	7.3						
23	28	156	2.60	61.63	7.4	7.4						
25	31	142	2.85	56.02	7.4	7.4						



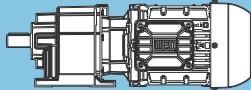
Legend see page 29

P _N = 0.37 kW								IE3	
50 Hz		60 Hz		i	at 50 Hz			m kg	Dimension sheet see page
0.37 kW		0.44 kW			F _{IN} kN	F _{aN} kN			
n ₅₀ min ⁻¹	n ₆₀ min ⁻¹	M ₂ Nm	f _b						
16	19	225	1.15	58.85	7.0	7.1	CG052-14P-80-06E CF052-14P-80-06E	21 26	142
17	21	204	1.15	53.50	7.1	7.2			
19	24	184	1.85	48.13	7.2	7.3			
21	26	167	1.85	43.75	7.3	7.3			
24	30	145	2.80	38.00	7.4	7.4			
26	32	136	1.15	35.67	7.5	7.3			
32	39	111	1.85	29.17	7.5	7.5			
24	29	149	1.70	58.85	7.4	7.4	CG052-14P-71-04F CF052-14P-71-04F	18 23	142
26	32	136	1.70	53.50	7.5	7.5			
29	36	122	2.80	48.13	7.5	7.5			
32	39	111	2.80	43.75	7.5	7.6			
39	48	90	1.70	35.67	7.6	7.6			
48	59	74	2.80	29.17	7.6	7.7			
14	18	245	0.85	64.05	4.0	3.1	CG033-14P-80-06E CF033-14P-80-06E	17 19	140
16	20	222	0.95	58.17	4.4	3.2			
17	21	211	0.95	55.25	4.6	3.3			
18	23	192	1.05	50.18	4.9	3.4			
19	24	184	1.10	48.22	4.9	3.5			
21	26	167	1.20	43.79	5.1	3.5			
26	32	135	1.50	35.38	5.4	3.8			
29	35	123	1.65	32.13	5.5	3.8			
14	17	253	0.80	99.71	3.9	3.0	CG033-14P-71-04F CF033-14P-71-04F	14 16	140
16	20	217	0.95	85.78	4.5	3.2			
18	22	197	1.05	77.90	4.8	3.3			
22	27	162	1.25	64.05	5.2	3.6			
24	29	147	1.40	58.17	5.3	3.7			
29	35	122	1.65	48.22	5.5	3.8			
32	39	111	1.85	43.79	5.6	3.9			
39	48	90	2.25	35.38	5.7	4.0			
43	53	81	2.50	32.13	5.7	4.1			
22	27	164	1.15	42.88	5.2	3.6	CG032-14P-80-06E CF032-14P-80-06E	17 19	140
24	29	149	1.15	38.95	5.3	3.7			
27	33	133	1.55	34.88	5.4	3.8			
29	36	121	1.70	31.67	5.5	3.8			
33	41	106	1.90	27.71	5.6	3.9			
37	45	96	2.10	25.17	5.7	4.0			
38	47	92	1.15	24.03	5.7	3.9			
43	53	82	2.45	21.40	5.7	4.1			
47	58	75	1.75	19.54	5.5	4.0			
48	59	74	2.70	19.44	5.5	4.1			
60	73	59	2.20	15.53	5.1	4.2			
77	95	46	2.85	11.99	4.8	4.3			
33	40	109	1.70	42.88	5.6	3.9	CG032-14P-71-04F CF032-14P-71-04F	14 16	140
36	44	99	1.75	38.95	5.7	4.0			
40	49	88	2.30	34.88	5.7	4.0			
44	54	80	2.50	31.67	5.6	4.1			
50	62	70	2.85	27.71	5.5	4.2			
58	71	61	1.70	24.03	5.2	4.1			
71	88	49	2.60	19.54	4.9	4.2			

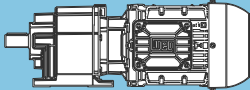
Legend see page 29

P _N = 0.37 kW								IE3	
50 Hz 0.37 kW		60 Hz 0.44 kW		i	at 50 Hz			m kg	Dimension sheet see page
n ₅₀ min ⁻¹	n ₆₀ min ⁻¹	M ₂ Nm	f _B		F _{rN} kN	F _{aN} kN			
31	38	113	0.80		29.65	2.6			
36	45	97	0.90	25.50	2.9	1.0			
40	50	87	1.00	22.85	3.0	1.1			
46	57	76	1.15	19.92	3.2	1.1			
47	58	75	0.90	19.51	3.2	1.0			
52	64	68	1.25	17.85	3.3	1.2			
58	72	60	1.10	15.82	3.3	1.1			
62	77	57	1.50	14.88	3.4	1.3			
69	86	51	1.70	13.33	3.4	1.3			
72	89	49	1.75	12.83	3.4	1.3			
74	91	48	1.40	12.46	3.3	1.2			
80	99	44	1.95	11.50	3.3	1.3			
83	102	43	2.00	11.20	3.3	1.4			
92	114	38	2.15	10.04	3.2	1.4			
96	119	37	1.80	9.60	3.1	1.3			
113	139	31	2.45	8.22	3.0	1.4			
123	152	29	2.35	7.50	2.9	1.4			
126	155	28	2.65	7.36	2.9	1.4			
33	41	106	0.80	42.00	2.7	0.9	CG012-14P-71-04F CF012-14P-71-04F	12 13	138
37	45	95	0.90	37.64	2.9	1.0			
42	52	84	1.05	33.09	3.1	1.1			
47	58	75	1.15	29.65	3.2	1.1			
55	67	65	1.35	25.50	3.3	1.2			
61	75	58	1.50	22.85	3.4	1.2			
70	86	50	1.70	19.92	3.4	1.3			
72	88	49	1.35	19.51	3.4	1.2			
78	96	45	1.90	17.85	3.3	1.3			
88	108	40	1.65	15.82	3.2	1.3			
94	115	38	2.30	14.88	3.2	1.4			
105	128	34	2.55	13.33	3.1	1.4			
112	137	32	2.10	12.46	3.0	1.3			
125	153	28	3.00	11.20	2.9	1.4			
145	178	24	2.75	9.60	2.8	1.4			
54	66	66	0.80	17.29	3.4	1.1	CG002-14P-80-06E CF002-14P-80-06E	14 15	136
60	74	59	0.85	15.43	3.3	1.1			
68	84	52	1.00	13.54	3.2	1.2			
71	87	50	0.90	13.10	3.1	1.0			
77	94	46	1.10	12.08	3.1	1.2			
89	109	40	1.15	10.42	2.9	1.1			
93	114	38	1.35	9.97	3.0	1.3			
104	128	34	1.50	8.90	2.9	1.3			
113	139	31	1.45	8.17	2.8	1.2			
135	166	26	1.90	6.88	2.7	1.4			
151	186	23	2.15	6.14	2.6	1.4			
192	237	18	2.15	4.81	2.4	1.4			
261	322	14	2.60	3.54	2.2	1.5			
53	65	66	0.80	26.18	3.4	1.1			
61	74	58	0.90	23.00	3.3	1.1			
68	83	52	1.00	20.53	3.2	1.2			
81	99	44	1.15	17.29	3.1	1.3			
90	111	39	1.30	15.43	3.0	1.3			
103	126	34	1.50	13.54	2.9	1.3			
107	131	33	1.30	13.10	2.8	1.2			
115	142	31	1.65	12.08	2.8	1.4			
134	164	26	1.75	10.42	2.6	1.3			
140	172	25	2.00	9.97	2.6	1.4			
157	192	23	2.25	8.90	2.6	1.4			
171	209	21	2.20	8.17	2.5	1.4			
203	249	17	2.85	6.88	2.4	1.5			
227	279	16	3.25	6.14	2.3	1.5			
290	355	12	3.25	4.81	2.1	1.5			
394	483	9	3.95	3.54	1.9	1.5			

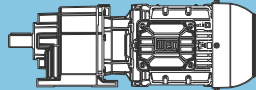
Legend see page 29

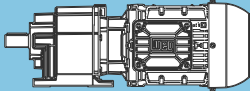
P _N = 0.55 kW								IE3	
50 Hz		60 Hz			at 50 Hz			m kg	Dimension sheet see page
0.55 kW	0.66 kW	M ₂ Nm	f _b	i	F _{IN}	F _{aN}			
n ₅₀ min ⁻¹	n ₆₀ min ⁻¹				kN	kN			
0.22	0.26	21566	0.85	4369.98	101.6	20.9	CG165-14P-L80-06F CF165-14P-L80-06F	701 724	170
0.26	0.31	18072	1.00	3690.13	113.1	24.1			
0.27	0.33	17310	1.05	3543.61	115.2	24.8			
0.31	0.38	14602	1.25	3020.06	121.7	27.2			
0.32	0.39	14305	1.30	2966.43	122.3	27.5			
0.39	0.47	11659	1.55	2448.96	127.2	29.9			
0.39	0.48	11416	1.60	2404.16	127.6	30.1			
0.46	0.56	9585	1.90	2050.07	130.3	31.8			
0.57	0.70	7569	2.40	1661.50	132.6	33.6			
0.20	0.24	23270	0.80	7067.08	94.6	19.4	CG165-14P-80-04E CF165-14P-80-04E	699 722	170
0.22	0.27	20785	0.90	6345.03	104.4	21.6			
0.27	0.32	17358	1.05	5339.57	115.1	24.7			
0.29	0.35	15795	1.15	4884.00	119.0	26.1			
0.32	0.39	14025	1.30	4369.98	122.9	27.8			
0.38	0.47	11691	1.55	3690.13	127.2	29.9			
0.40	0.49	11169	1.65	3543.61	128.0	30.4			
0.47	0.57	9372	1.95	3020.06	130.6	32.0			
0.48	0.58	9182	2.00	2966.43	130.8	32.2			
0.58	0.70	7405	2.45	2448.96	132.8	33.8			
0.59	0.72	7251	2.50	2404.16	133.0	33.9			
0.69	0.84	6024	3.00	2050.07	134.0	35.0			
0.45	0.55	10177	1.80	2093.95	129.5	31.3	CG164-14P-L80-06F CF164-14P-L80-06F	688 711	168
0.52	0.64	8657	2.10	1803.51	131.4	32.6			
0.57	0.70	7889	2.30	1657.33	132.3	33.3			
0.61	0.74	7380	2.45	1559.96	132.8	33.8			
0.65	0.80	6775	2.70	1447.11	133.4	34.3			
0.66	0.81	6683	2.70	1427.45	133.5	34.4			
0.68	0.82	6497	2.80	2093.95	133.6	34.6	CG164-14P-80-04E CF164-14P-80-04E	686 709	168
0.44	0.53	10753	1.25	2162.84	101.7	16.7	CG144-14P-L80-06F CF144-14P-L80-06F	437 455	164
0.50	0.61	9318	1.40	1885.79	104.2	18.2			
0.57	0.69	8183	1.60	1669.82	105.9	19.3			
0.58	0.71	7944	1.65	1624.38	106.2	19.5			
0.65	0.79	7061	1.85	1455.92	107.3	20.4			
0.67	0.82	6764	1.95	1400.42	107.7	20.7			
0.68	0.83	6756	1.95	1398.80	107.7	20.7			
0.75	0.92	5995	2.20	1254.10	108.5	21.5			
0.77	0.95	5825	2.25	1221.03	108.6	21.7			
0.86	1.1	5178	2.55	1099.05	109.2	22.3			
0.88	1.1	5077	2.60	1079.94	109.3	22.4			
0.90	1.1	4934	2.65	1051.77	109.4	22.6			
0.99	1.2	4440	2.95	958.27	109.8	23.1			
0.66	0.80	6966	1.90	2162.84	107.4	20.5	CG144-14P-80-04E CF144-14P-80-04E	435 453	164
0.75	0.91	5999	2.20	1885.79	108.5	21.5			
0.85	1.0	5246	2.50	1669.82	109.2	22.2			
0.87	1.1	5082	2.60	1624.38	109.3	22.4			
0.98	1.2	4498	2.90	1455.92	109.8	23.0			
0.50	0.61	9561	0.85	1891.77	56.5	18.6	CG134-14P-L80-06F CF134-14P-L80-06F	290 292	160
0.58	0.70	8248	1.00	1642.17	61.9	20.1			
0.65	0.79	7306	1.10	1460.54	65.0	21.2			
0.67	0.81	7083	1.15	1418.83	65.7	21.4			
0.75	0.91	6290	1.30	1267.83	67.8	22.3			
0.77	0.94	6065	1.35	1224.91	68.4	22.6			
0.86	1.1	5390	1.50	1095.41	69.9	23.3			
0.89	1.1	5221	1.55	1063.29	70.3	23.5			
0.98	1.2	4682	1.75	961.31	71.3	24.2			
1.0	1.3	4465	1.80	918.68	71.7	24.4			
1.1	1.4	4022	2.00	834.47	72.4	24.9			
1.3	1.6	3532	2.30	741.90	73.1	25.5			
1.3	1.6	3425	2.35	720.98	73.2	25.6			
1.5	1.8	3021	2.65	644.01	73.7	26.0			
1.5	1.9	2861	2.80	613.66	73.9	26.2			

Legend see page 29

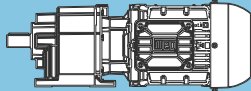
P_N = 0.55 kW								IE3	
50 Hz		60 Hz		i	at 50 Hz			m kg	Dimension sheet see page
0.55 kW		0.66 kW			F_{rN} kN	F_{aN} kN			
n₅₀ min ⁻¹	n₆₀ min ⁻¹	M₂ Nm	f_B						
0.75	0.91	6246	1.30	1891.77	68.0	22.4	CG134-14P-80-04E CF134-14P-80-04E	288 290	160
0.86	1.0	5378	1.50	1642.17	69.9	23.4			
0.97	1.2	4743	1.70	1460.54	71.2	24.1			
1.0	1.2	4598	1.75	1418.83	71.4	24.2			
1.1	1.4	4067	2.00	1267.83	72.3	24.9			
1.2	1.4	3921	2.05	1224.91	72.5	25.0			
1.3	1.6	3463	2.35	1095.41	73.2	25.5			
1.5	1.8	2995	2.70	961.31	73.7	26.1			
0.85	1.0	5652	0.80	1116.07	28.1	20.0	CG104-14P-L80-06F CF104-14P-L80-06F	176 180	156
0.87	1.1	5461	0.85	1080.49	29.6	20.3			
1.0	1.3	4588	1.00	913.46	35.1	21.4			
1.1	1.4	4160	1.10	831.69	37.1	21.9			
1.3	1.6	3488	1.30	703.12	39.8	22.8			
1.5	1.8	3092	1.50	628.39	41.1	23.3			
1.8	2.2	2587	1.75	531.25	42.5	23.9			
2.2	2.7	2078	2.20	434.78	43.6	24.6			
2.3	2.8	1985	2.30	417.03	43.8	24.7			
2.7	3.3	1647	2.75	352.56	44.3	25.1			
0.83	1.0	5738	0.80	1702.59	27.4	19.9	CG104-14P-80-04E CF104-14P-80-04E	174 178	156
0.99	1.2	4821	0.95	1439.39	33.8	21.1			
1.1	1.3	4404	1.05	1320.15	36.0	21.6			
1.3	1.5	3693	1.25	1116.07	39.1	22.5			
1.6	1.9	2985	1.55	913.46	41.4	23.4			
1.7	2.1	2701	1.70	831.69	42.2	23.8			
2.0	2.4	2255	2.00	703.12	43.2	24.3			
2.3	2.7	1991	2.30	628.39	43.8	24.7			
2.7	3.2	1652	2.75	531.25	44.3	25.1			
2.8	3.3	1592	2.85	514.28	44.4	25.2			
1.2	1.5	3961	0.80	782.16	12.6	24.1	CG094-14P-L80-06F CF094-14P-L80-06F	134 132	152
1.3	1.6	3616	0.85	715.43	17.4	24.7			
1.5	1.8	3222	0.95	640.13	21.2	25.2			
1.7	2.1	2698	1.15	540.55	24.9	26.0			
1.8	2.2	2586	1.20	519.08	25.5	26.2			
1.9	2.3	2524	1.20	506.66	25.8	26.3			
2.1	2.6	2186	1.40	442.39	27.5	26.8			
2.2	2.7	2147	1.40	434.54	27.6	26.8			
2.3	2.8	2022	1.50	410.85	28.1	27.0			
2.6	3.2	1747	1.75	358.73	29.1	27.4			
2.7	3.3	1715	1.75	352.17	29.2	27.5			
3.1	3.8	1441	2.10	300.30	30.0	27.9			
3.4	4.1	1327	2.30	278.74	30.3	28.0			
3.9	4.7	1142	2.65	243.38	30.7	28.3			
1.3	1.5	3827	0.80	1135.60	14.7	24.3	CG094-14P-80-04E CF094-14P-80-04E	132 130	152
1.4	1.7	3475	0.90	1035.22	18.9	24.9			
1.5	1.9	3107	1.00	929.45	22.1	25.4			
1.7	2.1	2728	1.10	819.36	24.7	26.0			
1.8	2.2	2593	1.20	782.16	25.5	26.2			
2.0	2.4	2362	1.30	715.43	26.7	26.5			
2.2	2.7	2101	1.45	640.13	27.8	26.9			
2.3	2.8	2027	1.50	619.07	28.1	27.0			
2.6	3.2	1752	1.75	540.55	29.1	27.4			
2.7	3.3	1679	1.80	519.08	29.4	27.5			
2.8	3.4	1635	1.85	506.66	29.5	27.6			
3.2	3.9	1410	2.15	442.39	30.1	27.9			
3.3	4.0	1382	2.20	434.54	30.2	28.0			
3.5	4.2	1299	2.35	410.85	30.4	28.1			
4.0	4.8	1118	2.70	358.73	30.8	28.3			
4.1	5.0	1065	2.85	343.93	30.9	28.4			
3.1	3.8	1705	1.80	306.73	29.3	27.5	CG093-14P-L80-06F CF093-14P-L80-06F	121 119	150
3.9	4.8	1349	2.25	242.77	30.3	28.0			
4.5	5.4	1178	2.55	211.98	30.7	28.3			
5.0	6.2	1041	2.90	187.34	30.9	28.5			

Legend see page 29

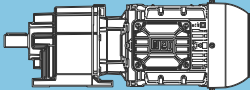
P _N = 0.55 kW								IE3	
50 Hz		60 Hz		i	at 50 Hz			m kg	Dimension sheet see page
0.55 kW	0.66 kW	M ₂ Nm	f _b		F _{IN} kN	F _{aIN} kN			
n ₅₀ min ⁻¹	n ₆₀ min ⁻¹								
4.6	5.6	1135	2.65	306.73	30.7	28.3	CG093-14P-80-04E CF093-14P-80-04E	119 117	150
2.6	3.1	2051	0.80	368.94	16.5	18.3	CG083-14P-L80-06F CF083-14P-L80-06F	68 72	148
3.3	4.1	1583	1.00	284.84	20.1	19.3			
4.0	4.8	1328	1.20	238.89	21.5	19.8			
5.0	6.2	1042	1.50	187.48	22.7	20.4			
6.5	8.0	804	1.95	144.69	23.5	20.9			
7.9	9.7	665	2.35	119.68	23.8	21.1			
9.3	11	566	2.75	101.80	24.0	21.3	CG083-14P-80-04E CF083-14P-80-04E	66 70	148
3.8	4.7	1365	1.15	368.94	21.3	19.7			
5.0	6.0	1054	1.50	284.84	22.7	20.3			
5.9	7.2	884	1.80	238.89	23.2	20.7			
7.6	9.2	693	2.25	187.48	23.7	21.1			
9.8	12	535	2.90	144.69	24.1	21.4	CG073-14P-L80-06F CF073-14P-L80-06F	44 48	146
4.8	5.9	1093	0.80	196.68	7.1	12.1			
5.3	6.5	986	0.85	177.39	8.8	12.7			
5.9	7.2	897	0.95	161.38	9.9	12.7			
6.9	8.4	764	1.10	137.38	11.2	13.3			
7.6	9.2	695	1.20	124.97	11.7	13.3			
9.0	11	581	1.45	104.50	12.5	13.8			
9.9	12	528	1.60	95.06	12.8	13.8			
11	13	479	1.75	86.17	13.0	14.1			
12	15	436	1.90	78.39	13.2	14.1			
13	16	393	2.10	70.68	13.4	14.3			
15	18	357	2.30	64.30	13.5	14.3			
16	19	334	2.50	60.06	13.5	14.5			
17	21	304	2.75	54.63	13.6	14.5			
19	23	274	3.00	49.38	13.7	14.6	CG073-14P-80-04E CF073-14P-80-04E	42 46	146
5.1	6.2	1030	0.80	278.44	8.2	12.6			
5.6	6.8	937	0.90	253.30	9.5	12.5			
6.6	8.0	800	1.05	216.20	10.9	13.2			
7.2	8.7	727	1.15	196.68	11.5	13.2			
8.0	9.7	656	1.25	177.39	12.0	13.6			
8.8	11	597	1.40	161.38	12.4	13.6			
10	13	508	1.65	137.38	12.9	14.0			
11	14	462	1.80	124.97	13.1	14.0			
14	16	387	2.15	104.50	13.4	14.3			
15	18	352	2.35	95.06	13.5	14.3			
16	20	319	2.60	86.17	13.6	14.5			
18	22	290	2.85	78.39	13.7	14.5	CG063-14P-L80-06F CF063-14P-L80-06F	28 33	144
6.7	8.2	785	0.80	141.17	5.3	5.8			
8.0	9.7	659	0.95	118.51	7.5	6.2			
8.7	11	604	1.00	108.67	8.2	6.3			
11	13	498	1.25	89.54	9.3	6.7			
12	14	456	1.35	82.10	9.6	6.8			
13	16	407	1.50	73.28	10.0	6.9			
14	17	373	1.65	67.19	10.2	7.0			
16	19	330	1.85	59.42	10.4	7.1			
17	21	303	2.00	54.49	10.6	7.2			
19	23	276	2.20	49.74	10.7	7.3			
21	25	254	2.40	45.61	10.8	7.4	CG063-14P-80-04E CF063-14P-80-04E	26 31	144
7.5	9.1	696	0.90	188.11	7.0	6.1			
8.2	10	638	0.95	172.49	7.8	6.2			
9.2	11	569	1.10	153.96	8.6	6.5			
10	12	522	1.15	141.17	9.1	6.6			
12	15	438	1.40	118.51	9.8	6.8			
13	16	402	1.50	108.67	10.0	6.9			
16	19	331	1.85	89.54	10.4	7.1			
17	21	304	2.00	82.10	10.6	7.2			
19	23	271	2.25	73.28	10.7	7.3			
21	26	249	2.45	67.19	10.8	7.4			
24	29	220	2.75	59.42	10.9	7.5			
26	32	202	3.00	54.49	11.0	7.5			

P _N = 0.55 kW								IE3	
50 Hz		60 Hz		i	at 50 Hz			m kg	Dimension sheet see page
0.55 kW		0.66 kW			F _{rN} kN	F _{aN} kN			
n ₅₀ min ⁻¹	n ₆₀ min ⁻¹	M ₂ Nm	f _B						
16	19	333	1.30	60.00	10.4	7.1	CG062-14P-L80-06F CF062-14P-L80-06F	28 33	144
17	21	306	1.30	55.02	10.6	7.2			
20	24	264	2.30	47.55	10.7	7.3			
22	26	242	2.35	43.60	10.8	7.4			
26	31	205	2.95	36.92	10.9	7.5			
28	35	186	1.30	33.43	11.0	7.3			
36	44	147	2.35	26.49	11.1	7.5			
24	29	222	1.90	60.00	10.9	7.5	CG062-14P-80-04E CF062-14P-80-04E	25 30	144
26	31	204	1.90	55.02	10.9	7.5			
42	51	124	1.90	33.43	11.1	7.6			
10	13	513	0.80	92.32	1.4	5.7	CG053-14P-L80-06F CF053-14P-L80-06F	23 28	142
12	15	432	0.95	77.79	4.3	6.1			
13	16	393	1.05	70.71	5.1	6.3			
15	19	343	1.20	61.63	5.8	6.5			
17	21	311	1.30	56.02	6.2	6.7			
19	23	273	1.50	49.20	6.6	6.9			
21	26	249	1.65	44.73	6.8	7.0			
11	13	492	0.85	132.97	2.6	5.9	CG053-14P-80-04E CF053-14P-80-04E	21 26	142
12	14	447	0.90	120.88	4.0	6.0			
14	17	376	1.10	101.55	5.4	6.4			
15	19	341	1.20	92.32	5.8	6.5			
18	22	288	1.40	77.79	6.4	6.8			
20	24	262	1.55	70.71	6.7	6.9			
23	28	228	1.80	61.63	6.9	7.1			
25	31	207	1.95	56.02	7.1	7.1			
29	35	182	2.20	49.20	7.2	7.3			
32	38	165	2.45	44.73	7.3	7.3			
16	20	327	0.80	58.85	6.0	6.6	CG052-14P-L80-06F CF052-14P-L80-06F	22 27	142
18	22	297	0.80	53.50	6.3	6.7			
20	24	267	1.30	48.13	6.6	6.9			
22	26	243	1.30	43.75	6.8	7.0			
25	30	211	1.90	38.00	7.1	7.1			
26	32	198	0.80	35.67	7.1	7.0			
27	33	192	2.10	34.55	7.2	7.2			
32	39	164	2.45	29.46	7.3	7.4			
35	43	149	2.70	26.79	7.4	7.4			
39	48	134	3.00	24.12	7.5	7.5			
41	50	128	2.10	23.03	7.5	7.4			
53	65	99	2.70	17.86	7.6	7.5			
24	29	218	1.15	58.85	7.0	7.1			
27	32	198	1.15	53.50	7.1	7.2			
30	36	178	1.90	48.13	7.3	7.3			
32	39	162	1.90	43.75	7.3	7.4			
37	45	141	2.85	38.00	7.4	7.5			
40	48	132	1.15	35.67	7.5	7.3			
49	59	108	1.90	29.17	7.6	7.5			
22	26	243	0.85	43.79	4.1	3.1	CG033-14P-L80-06F CF033-14P-L80-06F	19 21	140
27	33	197	1.05	35.38	4.8	3.4			
29	36	179	1.15	32.13	5.0	3.5			
22	27	237	0.85	64.05	4.2	3.1	CG033-14P-80-04E CF033-14P-80-04E	16 18	140
24	30	215	0.95	58.17	4.5	3.2			
26	31	204	1.00	55.25	4.7	3.3			
28	34	186	1.10	50.18	4.9	3.4			
29	36	178	1.15	48.22	5.0	3.5			
32	39	162	1.25	43.79	5.2	3.6			
40	49	131	1.55	35.38	5.5	3.8			
44	54	119	1.70	32.13	5.4	3.8			

Legend see page 29

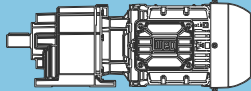
P _N = 0.55 kW								IE3	
50 Hz		60 Hz		i	at 50 Hz			m kg	Dimension sheet see page
0.55 kW	0.66 kW	M ₂ Nm	f _b		F _{IN} kN	F _{aN} kN			
n ₅₀ min ⁻¹	n ₆₀ min ⁻¹								
22	27	238	0.80	42.88	4.2	3.1	CG032-14P-L80-06F CF032-14P-L80-06F	18 20	140
24	30	216	0.80	38.95	4.5	3.2			
27	33	194	1.05	34.88	4.8	3.4			
30	36	176	1.15	31.67	5.0	3.5			
34	42	154	1.30	27.71	5.3	3.6			
38	46	140	1.45	25.17	5.4	3.7			
39	48	134	0.80	24.03	5.4	3.6			
44	54	119	1.70	21.40	5.4	3.9			
48	59	109	1.20	19.54	5.2	3.8			
49	59	108	1.90	19.44	5.3	3.9			
55	68	95	2.15	17.09	5.1	4.0			
61	74	86	1.55	15.53	4.9	4.0			
73	89	72	2.75	12.92	4.8	4.2			
79	96	67	2.00	11.99	4.6	4.1			
99	121	53	2.45	9.57	4.3	4.2			
33	40	159	1.20	42.88	5.2	3.6	CG032-14P-80-04E CF032-14P-80-04E	16 18	140
36	44	144	1.20	38.95	5.3	3.7			
41	49	129	1.60	34.88	5.5	3.8			
45	54	117	1.75	31.67	5.4	3.9			
51	62	103	2.00	27.71	5.2	4.0			
56	68	93	2.15	25.17	5.1	4.0			
59	72	89	1.20	24.03	5.0	3.9			
66	80	79	2.55	21.40	4.9	4.1			
73	88	72	1.80	19.54	4.7	4.1			
91	111	57	2.30	15.53	4.4	4.2			
118	143	44	2.95	11.99	4.1	4.3			
47	58	111	0.80	19.92	2.6	0.9			
53	65	99	0.90	17.85	2.8	1.0			
60	73	88	0.80	15.82	3.0	0.8			
64	78	83	1.05	14.88	3.1	1.1			
71	87	74	1.15	13.33	3.2	1.1			
74	90	71	1.20	12.83	3.2	1.2			
76	93	69	1.00	12.46	3.2	1.0			
82	100	64	1.35	11.50	3.2	1.2			
84	103	62	1.35	11.20	3.2	1.2			
94	115	56	1.50	10.04	3.1	1.3			
98	120	53	1.25	9.60	3.0	1.1			
115	141	46	1.70	8.22	2.9	1.3			
126	154	42	1.60	7.50	2.8	1.3			
128	157	41	1.85	7.36	2.8	1.4			
169	206	31	2.15	5.60	2.6	1.3			
196	239	27	2.50	4.83	2.5	1.4			
224	274	23	2.85	4.22	2.4	1.4			
48	58	110	0.80	29.65	2.6	0.9	CG012-14P-80-04E CF012-14P-80-04E	14 15	138
56	67	94	0.95	25.50	2.9	1.0			
62	75	85	1.05	22.85	3.1	1.1			
71	86	74	1.20	19.92	3.2	1.2			
73	88	72	0.95	19.51	3.2	1.0			
80	96	66	1.30	17.85	3.2	1.2			
90	109	59	1.15	15.82	3.0	1.1			
95	116	55	1.55	14.88	3.1	1.3			
107	129	49	1.75	13.33	3.0	1.3			
111	134	47	1.80	12.83	2.9	1.3			
114	138	46	1.45	12.46	2.9	1.2			
123	150	43	2.00	11.50	2.8	1.3			
127	154	41	2.05	11.20	2.8	1.4			
141	171	37	2.20	10.04	2.7	1.4			
148	179	36	1.90	9.60	2.7	1.3			
173	209	30	2.55	8.22	2.6	1.4			
189	229	28	2.40	7.50	2.5	1.4			
193	234	27	2.75	7.36	2.5	1.4			

Legend see page 29

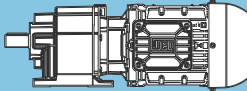
P_N = 0.55 kW								IE3	
50 Hz		60 Hz		i	at 50 Hz			m kg	Dimension sheet see page
0.55 kW		0.66 kW			F_{rn} kN	F_{aH} kN			
n₅₀ min ⁻¹	n₆₀ min ⁻¹	M₂ Nm	f_B						
91	111	58	0.80	10.42	2.7	0.9	CG002-14P-L80-06F CF002-14P-L80-06F	15 16	136
95	116	55	0.95	9.97	2.8	1.2			
106	130	49	1.05	8.90	2.7	1.2			
116	141	45	1.00	8.17	2.6	1.1			
137	168	38	1.30	6.88	2.6	1.3			
154	188	34	1.25	6.14	2.4	1.2			
196	240	27	1.50	4.81	2.3	1.3			
267	326	20	1.80	3.54	2.1	1.4			
387	473	14	2.30	2.44	1.9	1.5			
82	100	64	0.80	17.29	2.9	1.1	CG002-14P-80-04E CF002-14P-80-04E	13 14	136
92	111	57	0.90	15.43	2.8	1.1			
105	127	50	1.00	13.54	2.8	1.2			
108	131	48	0.90	13.10	2.6	1.0			
118	142	45	1.15	12.08	2.7	1.3			
136	165	39	1.20	10.42	2.5	1.2			
142	173	37	1.40	9.97	2.6	1.3			
160	193	33	1.55	8.90	2.5	1.4			
174	210	30	1.50	8.17	2.4	1.3			
207	250	25	1.95	6.88	2.3	1.4			
231	280	23	1.85	6.14	2.2	1.4			
295	357	18	2.20	4.81	2.0	1.4			
401	486	13	2.70	3.54	1.9	1.5			



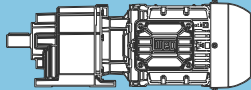
Legend see page 29

P _N = 0.75 kW								IE3	
50 Hz 0.75 kW	60 Hz 0.90 kW	M ₂ Nm	f _b	i	at 50 Hz			m kg	Dimension sheet see page
					F _{IN} kN	F _{aIN} kN			
0.31	0.38	20380	0.90	3020.06	105.9	22.0	CG165-11P-90S/L-06E CF165-11P-90S/L-06E	707 730	170
0.32	0.39	20018	0.90	2966.43	107.1	22.3			
0.38	0.47	16315	1.15	2448.96	117.8	25.7			
0.39	0.48	16017	1.15	2404.16	118.5	25.9			
0.46	0.56	13518	1.35	2050.07	123.9	28.2			
0.57	0.69	10760	1.70	1661.50	128.6	30.7			
0.27	0.33	23807	0.80	5339.57	92.2	18.9	CG165-11P-80-04F CF165-11P-80-04F	701 724	170
0.29	0.36	21720	0.85	4884.00	101.0	20.8			
0.33	0.4	19335	0.95	4369.98	109.3	22.9			
0.39	0.47	16160	1.15	3690.13	118.1	25.8			
0.40	0.49	15479	1.20	3543.61	119.8	26.4			
0.47	0.58	13057	1.40	3020.06	124.8	28.6			
0.48	0.59	12792	1.45	2966.43	125.3	28.9			
0.58	0.71	10398	1.75	2448.96	129.2	31.1			
0.59	0.72	10182	1.80	2404.16	129.5	31.2			
0.70	0.85	8526	2.15	2050.07	131.6	32.8			
0.86	1.0	6715	2.70	1661.50	133.5	34.4			
0.45	0.55	14242	1.30	2093.95	122.5	27.6	CG164-11P-90S/L-06E CF164-11P-90S/L-06E	694 717	168
0.52	0.63	12166	1.50	1803.51	126.4	29.4			
0.57	0.69	11111	1.65	1657.33	128.1	30.4			
0.60	0.73	10415	1.75	1559.96	129.1	31.0			
0.65	0.79	9602	1.90	1447.11	130.3	31.8			
0.66	0.80	9452	1.95	1427.45	130.5	31.9			
0.73	0.90	8398	2.15	1278.93	131.7	32.9			
0.75	0.92	8151	2.25	1246.39	132.0	33.1			
0.76	0.93	8074	2.25	1234.69	132.1	33.2			
0.85	1.0	7114	2.55	1101.54	133.1	34.0			
0.87	1.1	6970	2.60	1081.51	133.2	34.2			
0.99	1.2	6039	3.00	952.78	134.0	35.0			
0.68	0.83	9095	2.00	2093.95	130.9	32.2			
0.79	0.96	7720	2.35	1803.51	132.5	33.5			
0.86	1.0	7021	2.60	1657.33	133.2	34.1			
0.92	1.1	6567	2.75	1559.96	133.6	34.5			
0.99	1.2	6029	3.00	1447.11	134.0	35.0			
0.43	0.53	14954	0.90	2162.84	91.8	12.5	CG144-11P-90S/L-06E CF144-11P-90S/L-06E	443 461	164
0.50	0.61	12959	1.05	1885.79	97.0	14.5			
0.56	0.69	11427	1.15	1669.82	100.4	16.0			
0.58	0.70	11094	1.20	1624.38	101.1	16.4			
0.65	0.79	9882	1.35	1455.92	103.3	17.6			
0.67	0.82	9486	1.40	1400.42	103.9	18.0			
0.75	0.91	8442	1.55	1254.10	105.5	19.0			
0.77	0.94	8203	1.60	1221.03	105.9	19.3			
0.86	1.0	7323	1.80	1099.05	107.0	20.2			
0.87	1.1	7180	1.85	1079.94	107.2	20.3			
0.89	1.1	6979	1.90	1051.77	107.4	20.5			
0.98	1.2	6306	2.10	958.27	108.2	21.2			
1.0	1.3	5935	2.20	905.71	108.5	21.6			
1.1	1.3	5512	2.40	848.21	108.9	22.0			
1.3	1.5	4737	2.75	739.56	109.6	22.8			
0.66	0.80	9650	1.35	2162.84	103.7	17.8	CG144-11P-80-04F CF144-11P-80-04F	437 455	164
0.76	0.92	8328	1.60	1885.79	105.7	19.2			
0.86	1.0	7313	1.80	1669.82	107.0	20.2			
0.88	1.1	7099	1.85	1624.38	107.3	20.4			
0.98	1.2	6298	2.10	1455.92	108.2	21.2			
1.0	1.2	6032	2.20	1400.42	108.4	21.5			
1.1	1.4	5346	2.45	1254.10	109.1	22.1			
1.2	1.4	5184	2.55	1221.03	109.2	22.3			
1.3	1.6	4608	2.85	1099.05	109.7	22.9			
1.4	1.7	4382	3.00	1051.77	109.8	23.1			

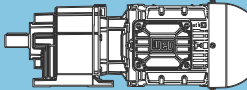
Legend see page 29

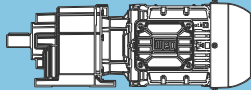
P _N = 0.75 kW								IE3	
50 Hz		60 Hz		i	at 50 Hz			m kg	Dimension sheet see page
0.75 kW		0.90 kW			F _{rN} kN	F _{aN} kN			
n ₅₀ min ⁻¹	n ₆₀ min ⁻¹	M ₂ Nm	f _B						
0.64	0.78	10140	0.80	1460.54	53.7	17.9	CG134-11P-90S/L-06E CF134-11P-90S/L-06E	296 298	160
0.66	0.81	9830	0.85	1418.83	55.2	18.3			
0.74	0.9	8748	0.95	1267.83	60.0	19.5			
0.77	0.93	8452	0.95	1224.91	61.1	19.8			
0.86	1.0	7512	1.10	1095.41	64.4	20.9			
0.88	1.1	7292	1.10	1063.29	65.1	21.2			
0.98	1.2	6552	1.25	961.31	67.2	22.0			
1.0	1.2	6248	1.30	918.68	67.9	22.4			
1.1	1.4	5641	1.45	834.47	69.4	23.1			
1.3	1.5	4974	1.65	741.90	70.8	23.8			
1.5	1.8	4273	1.90	644.01	72.0	24.6			
1.7	2.1	3646	2.20	556.43	72.9	25.3			
1.8	2.1	3469	2.35	532.69	73.2	25.5			
2.0	2.5	2948	2.75	460.25	73.8	26.1			
2.1	2.5	2896	2.80	453.11	73.8	26.2			
0.76	0.92	8580	0.95	1891.77	60.6	19.7	CG134-11P-80-04F CF134-11P-80-04F	290 292	160
0.87	1.1	7403	1.10	1642.17	64.7	21.0			
0.98	1.2	6543	1.25	1460.54	67.2	22.0			
1.0	1.2	6343	1.30	1418.83	67.7	22.3			
1.1	1.4	5633	1.45	1267.83	69.4	23.1			
1.2	1.4	5431	1.50	1224.91	69.8	23.3			
1.3	1.6	4817	1.70	1095.41	71.0	24.0			
1.5	1.8	4184	1.95	961.31	72.1	24.7			
1.6	1.9	3982	2.05	918.68	72.4	25.0			
1.7	2.1	3587	2.25	834.47	73.0	25.4			
1.9	2.3	3150	2.55	741.90	73.6	25.9			
2.0	2.4	3048	2.65	720.98	73.7	26.0			
2.2	2.7	2683	3.00	644.01	74.1	26.4			
1.1	1.4	5774	0.80	831.69	27.1	19.9	CG104-11P-90S/L-06E CF104-11P-90S/L-06E	182 186	156
1.3	1.6	4852	0.95	703.12	33.6	21.0			
1.5	1.8	4318	1.05	628.39	36.4	21.7			
1.8	2.2	3621	1.25	531.25	39.3	22.6			
2.2	2.6	2927	1.55	434.78	41.6	23.5			
2.3	2.7	2796	1.65	417.03	42.0	23.6			
2.7	3.2	2334	1.95	352.56	43.1	24.2			
3.2	3.9	1922	2.35	295.14	43.9	24.8			
3.3	4.0	1831	2.50	282.94	44.0	24.9			
3.9	4.8	1516	3.00	239.20	44.5	25.3			
1.3	1.6	5072	0.90	1116.07	32.3	20.7	CG104-11P-80-04F CF104-11P-80-04F	176 180	156
1.6	1.9	4118	1.10	913.46	37.3	22.0			
1.7	2.1	3726	1.25	831.69	38.9	22.5			
2.0	2.5	3124	1.45	703.12	41.0	23.2			
2.3	2.8	2769	1.65	628.39	42.0	23.7			
2.7	3.3	2312	1.95	531.25	43.1	24.3			
2.8	3.4	2229	2.05	514.28	43.3	24.4			
3.3	4.0	1853	2.45	434.78	44.0	24.8			
3.4	4.2	1770	2.55	417.03	44.1	24.9			
3.8	4.6	1878	2.40	246.43	44.0	24.8	CG104-11P-90S/L-06E CF104-11P-90S/L-06E	169 173	156
4.5	5.5	1587	2.85	208.33	44.4	25.2			
1.7	2.1	3753	0.80	540.55	15.7	24.5	CG094-11P-90S/L-06E CF094-11P-90S/L-06E	139 137	152
1.8	2.2	3596	0.85	519.08	17.6	24.7			
1.9	2.3	3503	0.90	506.66	18.6	24.8			
2.1	2.6	3046	1.00	442.39	22.6	25.5			
2.2	2.6	2986	1.05	434.54	23.0	25.6			
2.3	2.8	2817	1.10	410.85	24.1	25.8			
2.6	3.2	2445	1.25	358.73	26.2	26.4			
2.7	3.3	2400	1.25	352.17	26.5	26.5			
3.1	3.8	2026	1.50	300.30	28.1	27.0			
3.4	4.1	1869	1.65	278.74	28.7	27.2			
3.9	4.7	1615	1.90	243.38	29.5	27.6			

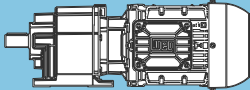
Legend see page 29

P _N = 0.75 kW								IE3	
50 Hz		60 Hz		i	at 50 Hz			m kg	Dimension sheet see page
0.75 kW		0.90 kW			F _{IN} kN	F _{aIN} kN			
n ₅₀ min ⁻¹	n ₆₀ min ⁻¹	M ₂ Nm	f _b						
1.7	2.1	3732	0.85	819.36	16.0	24.5	CG094-11P-80-04F CF094-11P-80-04F	133 131	152
1.8	2.2	3562	0.85	782.16	18.0	24.7			
2.0	2.4	3245	0.95	715.43	21.0	25.2			
2.2	2.7	2892	1.05	640.13	23.6	25.7			
2.3	2.8	2791	1.10	619.07	24.3	25.9			
2.6	3.2	2422	1.25	540.55	26.4	26.4			
2.8	3.4	2321	1.30	519.08	26.9	26.6			
3.2	3.9	1958	1.55	442.39	28.4	27.1			
3.3	4.0	1919	1.60	434.54	28.5	27.2			
3.5	4.2	1807	1.70	410.85	28.9	27.3			
4.0	4.9	1561	1.95	358.73	29.7	27.7			
4.1	4.9	1530	2.00	352.17	29.8	27.7			
4.2	5.1	1491	2.05	343.93	29.9	27.8			
4.8	5.8	1286	2.35	300.30	30.4	28.1			
5.1	6.2	1183	2.55	278.74	30.6	28.3			
5.9	7.1	1014	3.00	243.38	31.0	28.5			
3.1	3.7	2337	1.30	306.73	26.8	26.5	CG093-11P-90S/L-06E CF093-11P-90S/L-06E	126 124	150
3.9	4.7	1850	1.65	242.77	28.8	27.3			
4.4	5.4	1615	1.90	211.98	29.5	27.6			
5.0	6.1	1427	2.15	187.34	30.1	27.9			
5.9	7.2	1207	2.50	158.42	30.6	28.2			
6.1	7.4	1175	2.60	154.24	30.7	28.3			
6.9	8.4	1038	2.90	136.18	30.9	28.5			
4.7	5.7	1536	2.00	306.73	29.8	27.7	CG093-11P-80-04F CF093-11P-80-04F	120 118	150
5.9	7.2	1216	2.50	242.77	30.6	28.2			
6.7	8.2	1062	2.85	211.98	30.9	28.4			
3.9	4.8	1820	0.90	238.89	18.5	18.8	CG083-11P-90S/L-06E CF083-11P-90S/L-06E	74 78	148
5.0	6.1	1429	1.10	187.48	21.0	19.6			
6.5	7.9	1102	1.45	144.69	22.5	20.2			
7.9	9.6	912	1.70	119.68	23.2	20.6			
9.2	11	776	2.00	101.80	23.5	20.9			
11	13	672	2.35	88.23	23.8	21.1			
13	15	568	2.75	74.50	24.0	21.3			
3.9	4.7	1848	0.85	368.94	18.2	18.7	CG083-11P-80-04F CF083-11P-80-04F	68 72	148
5.0	6.1	1427	1.10	284.84	21.0	19.6			
6.0	7.3	1197	1.30	238.89	22.1	20.1			
7.6	9.3	939	1.70	187.48	23.1	20.6			
9.9	12	725	2.15	144.69	23.7	21.0			
12	15	599	2.60	119.68	23.9	21.3			
6.8	8.3	1047	0.80	137.38	7.9	12.5	CG073-11P-90S/L-06E CF073-11P-90S/L-06E	50 54	146
7.5	9.2	952	0.90	124.97	9.3	12.5			
9.0	11	796	1.05	104.50	10.9	13.2			
9.9	12	724	1.15	95.06	11.5	13.2			
11	13	657	1.25	86.17	12.0	13.6			
12	15	597	1.40	78.39	12.4	13.6			
13	16	539	1.55	70.68	12.7	13.9			
15	18	490	1.70	64.30	12.9	13.9			
16	19	458	1.80	60.06	13.1	14.1			
17	21	416	2.00	54.63	13.3	14.1			
19	23	376	2.20	49.38	13.4	14.4			
21	25	342	2.35	44.92	13.5	14.4			
24	29	298	2.60	39.17	13.6	14.6			
26	32	271	2.70	35.63	13.7	14.6			

Legend see page 29

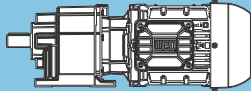
P _N = 0.75 kW							IE3		
50 Hz		60 Hz		i	at 50 Hz			m kg	Dimension sheet see page
0.75 kW		0.90 kW			F _{rN} kN	F _{aN} kN			
n ₅₀ min ⁻¹	n ₆₀ min ⁻¹	M ₂ Nm	f _B						
6.6	8.0	1083	0.80	216.20	7.3	12.4	CG073-11P-80-04F CF073-11P-80-04F	44 48	146
7.3	8.8	985	0.85	196.68	8.8	12.4			
8.1	9.8	889	0.95	177.39	10.0	12.9			
8.9	11	808	1.05	161.38	10.8	12.9			
10	13	688	1.20	137.38	11.8	13.5			
11	14	626	1.35	124.97	12.2	13.5			
14	17	523	1.60	104.50	12.8	14.0			
15	18	476	1.75	95.06	13.0	13.9			
17	20	432	1.90	86.17	13.2	14.2			
18	22	393	2.10	78.39	13.4	14.2			
20	25	354	2.35	70.68	13.5	14.4			
22	27	322	2.55	64.30	13.6	14.4			
24	29	301	2.75	60.06	13.6	14.6			
26	32	274	3.00	54.63	13.7	14.6			
24	29	297	2.80	38.92	13.7	14.6	CG072-11P-90S/L-06E CF072-11P-90S/L-06E	49 53	146
10	13	682	0.90	89.54	7.2	6.1	CG063-11P-90S/L-06E CF063-11P-90S/L-06E	33 38	144
11	14	626	1.00	82.10	8.0	6.3			
13	16	558	1.10	73.28	8.7	6.5			
14	17	512	1.20	67.19	9.2	6.6			
16	19	453	1.35	59.42	9.7	6.8			
17	21	415	1.45	54.49	9.9	6.9			
19	23	379	1.60	49.74	10.2	7.0			
21	25	348	1.75	45.61	10.3	7.1			
9.3	11	771	0.80	153.96	5.6	5.9	CG063-11P-80-04F CF063-11P-80-04F	27 32	144
10	12	707	0.85	141.17	6.8	6.0			
12	15	594	1.05	118.51	8.4	6.4			
13	16	544	1.15	108.67	8.9	6.5			
16	19	448	1.35	89.54	9.7	6.8			
17	21	411	1.50	82.10	10.0	6.9			
20	24	367	1.65	73.28	10.2	7.0			
21	26	337	1.80	67.19	10.4	7.1			
24	29	298	2.05	59.42	10.6	7.2			
26	32	273	2.20	54.49	10.7	7.3			
29	35	249	2.45	49.74	10.8	7.4			
31	38	228	2.65	45.61	10.9	7.4			
16	19	457	0.95	60.00	9.6	6.8	CG062-11P-90S/L-06E CF062-11P-90S/L-06E	33 38	144
17	21	419	0.95	55.02	9.9	6.9			
20	24	362	1.70	47.55	10.3	7.1			
22	26	332	1.70	43.60	10.4	7.1			
25	31	281	2.15	36.92	10.7	7.3			
28	34	258	2.35	33.86	10.8	7.3			
31	38	231	2.60	30.30	10.9	7.4			
34	41	212	2.85	27.78	10.9	7.5			
35	43	202	1.70	26.49	11.0	7.3			
46	56	157	2.45	20.57	11.1	7.4			
56	68	129	2.95	16.88	10.7	7.6			
24	29	301	1.40	60.00	10.6	7.2	CG063-11P-80-04F CF063-11P-80-04F	27 32	144
26	32	276	1.40	55.02	10.7	7.3			
30	37	238	2.55	47.55	10.8	7.4			
33	40	218	2.60	43.60	10.9	7.5			
43	52	167	1.40	33.43	11.0	7.4			
54	66	133	2.60	26.49	10.8	7.5			
15	19	470	0.90	61.63	3.4	6.0	CG053-11P-90S/L-06E CF053-11P-90S/L-06E	29 34	142
17	20	427	0.95	56.02	4.4	6.1			
19	23	375	1.10	49.20	5.4	6.4			
21	26	341	1.20	44.73	5.8	6.5			
14	17	509	0.80	101.55	1.7	5.8	CG053-11P-80-04F CF053-11P-80-04F	23 28	142
15	19	462	0.90	92.32	3.6	6.0			
18	22	390	1.05	77.79	5.1	6.3			
20	25	354	1.15	70.71	5.7	6.5			
23	28	309	1.30	61.63	6.2	6.7			
26	31	281	1.45	56.02	6.5	6.8			
29	35	246	1.65	49.20	6.8	7.0			
32	39	224	1.80	44.73	7.0	7.1			

P _N = 0.75 kW								IE3				
50 Hz		60 Hz		i	at 50 Hz			m kg	Dimension sheet see page			
0.75 kW		0.90 kW			F _{IN} kN	F _{aN} kN						
n ₅₀ min ⁻¹	n ₆₀ min ⁻¹	M ₂ Nm	f _B									
20	24	367	0.95	48.13	5.5	6.4	CG052-11P-90S/L-06E CF052-11P-90S/L-06E	28 33	142			
21	26	333	0.95	43.75	5.9	6.6						
25	30	290	1.40	38.00	6.4	6.8						
27	33	263	1.55	34.55	6.7	6.9						
32	39	225	1.80	29.46	7.0	7.1						
35	43	204	2.00	26.79	7.1	7.2						
39	47	184	2.20	24.12	7.2	7.3						
41	50	175	1.55	23.03	7.3	7.1						
43	52	167	2.40	21.92	7.3	7.3						
51	62	141	2.85	18.56	7.4	7.5						
53	64	136	2.00	17.86	7.5	7.3						
64	78	111	2.40	14.62	7.5	7.5						
24	30	295	0.85	58.85	6.4	6.8				CG052-11P-80-04F CF052-11P-80-04F	22 27	142
27	33	268	0.85	53.50	6.6	6.9						
30	36	241	1.40	48.13	6.8	7.0						
33	40	219	1.45	43.75	7.0	7.1						
38	46	190	2.15	38.00	7.2	7.2						
40	49	179	0.85	35.67	7.3	7.1						
41	50	173	2.35	34.55	7.3	7.3						
49	59	148	2.75	29.46	7.4	7.4						
49	60	146	1.40	29.17	7.4	7.3						
53	65	134	3.00	26.79	7.5	7.5						
62	76	115	2.35	23.03	7.5	7.4						
80	97	89	3.00	17.86	7.5	7.6						
28	35	251	0.80	50.18	3.9	3	CG033-11P-80-04F CF033-11P-80-04F	18 20	140			
30	36	242	0.85	48.22	4.1	3.1						
33	40	219	0.95	43.79	4.5	3.2						
40	49	177	1.15	35.38	5.0	3.5						
45	54	161	1.25	32.13	5.1	3.6						
27	33	266	0.80	34.88	3.6	2.9	CG032-11P-90S/L-06E CF032-11P-90S/L-06E	24 26	140			
30	36	241	0.85	31.67	4.1	3.1						
34	41	211	0.95	27.71	4.6	3.3						
37	45	192	1.05	25.17	4.9	3.4						
44	53	163	1.25	21.40	5.2	3.6						
48	59	148	1.40	19.44	5.1	3.7						
48	59	149	0.90	19.54	5.0	3.5						
55	67	130	1.55	17.09	4.9	3.8						
61	74	118	1.70	15.52	4.8	3.8						
61	74	118	1.10	15.53	4.7	3.7						
73	89	98	2.00	12.92	4.6	4.0						
78	95	91	1.45	11.99	4.5	3.9						
80	98	89	2.25	11.73	4.5	4.0						
96	117	75	2.45	9.82	4.3	4.1						
98	120	73	1.80	9.57	4.2	4.1						
105	128	68	2.70	8.92	4.2	4.2						
123	150	58	2.95	7.64	4.0	4.2						
130	158	55	2.40	7.24	3.9	4.2						
33	41	215	0.90	42.88	4.5	3.3	CG032-11P-80-04F CF032-11P-80-04F	18 20	140			
37	45	195	0.90	38.95	4.8	3.4						
41	50	175	1.15	34.88	5.1	3.5						
45	55	159	1.30	31.67	5.1	3.6						
52	63	139	1.45	27.71	5.0	3.7						
57	69	126	1.60	25.17	4.9	3.8						
60	72	120	0.90	24.03	4.7	3.7						
67	81	107	1.90	21.40	4.7	3.9						
73	89	98	1.35	19.54	4.5	3.9						
74	90	97	2.10	19.44	4.6	4.0						
84	102	86	2.35	17.09	4.4	4.1						
92	112	78	2.60	15.52	4.3	4.1						
92	112	78	1.70	15.53	4.3	4.0						
111	135	65	3.00	12.92	4.1	4.2						
119	145	60	2.20	11.99	4.0	4.1						
149	182	48	2.75	9.57	3.8	4.2						

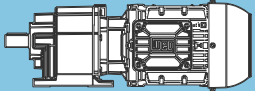
P _N = 0.75 kW								IE3	
50 Hz		60 Hz		i	at 50 Hz			m kg	Dimension sheet see page
0.75 kW		0.90 kW			F _{rN} kN	F _{aN} kN			
n ₅₀ min ⁻¹	n ₆₀ min ⁻¹	M ₂ Nm	f _B						
71	86	102	0.85	13.33	2.8	1.0	CG012-11P-90S/L-06E CF012-11P-90S/L-06E	22 23	138
73	89	98	0.90	12.83	2.9	1.0			
82	100	88	1.00	11.50	3.0	1.1			
84	102	85	1.00	11.20	3.0	1.1			
94	114	76	1.10	10.04	2.9	1.1			
98	119	73	0.95	9.60	2.8	1.0			
114	139	63	1.25	8.22	2.8	1.2			
125	153	57	1.20	7.50	2.7	1.1			
128	155	56	1.35	7.36	2.7	1.3			
168	204	43	1.55	5.60	2.5	1.2			
194	237	37	1.80	4.83	2.4	1.3			
223	271	32	2.10	4.22	2.3	1.3			
304	370	24	2.70	3.09	2.1	1.4			
72	87	100	0.90	19.92	2.8	1.0	CG012-11P-80-04F CF012-11P-80-04F	15 16	138
80	97	89	1.00	17.85	3.0	1.0			
90	110	79	0.85	15.82	2.9	0.9			
96	117	75	1.15	14.88	2.9	1.1			
107	131	67	1.30	13.33	2.9	1.2			
111	136	64	1.35	12.83	2.8	1.2			
115	140	62	1.10	12.46	2.7	1.1			
124	151	58	1.50	11.50	2.8	1.2			
128	155	56	1.50	11.20	2.7	1.3			
142	173	50	1.65	10.04	2.7	1.3			
149	181	48	1.40	9.60	2.6	1.2			
174	212	41	1.85	8.22	2.5	1.4			
191	232	38	1.80	7.50	2.4	1.3			
194	236	37	2.05	7.36	2.4	1.4			
255	311	28	2.40	5.60	2.2	1.4			
296	360	24	2.75	4.83	2.1	1.4			
118	144	61	0.85	12.08	2.6	1.1	CG002-11P-80-04F CF002-11P-80-04F	14 15	136
137	167	52	0.90	10.42	2.4	1.0			
143	175	50	1.05	9.97	2.5	1.2			
161	196	45	1.15	8.90	2.4	1.3			
175	213	41	1.10	8.17	2.3	1.1			
208	253	34	1.45	6.88	2.2	1.3			
233	283	31	1.40	6.14	2.1	1.3			
297	362	24	1.65	4.81	2.0	1.3			
404	491	18	2.00	3.54	1.8	1.4			



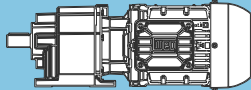
Legend see page 29

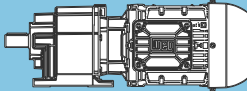
P _N = 1.1 kW								IE3	
50 Hz		60 Hz		i	at 50 Hz			m kg	Dimension sheet see page
1.1 kW		1.3 kW			F _{IN} kN	F _{aN} kN			
n ₅₀ min ⁻¹	n ₆₀ min ⁻¹	M ₂ Nm	f _b						
0.39	0.48	23716	0.80	3690.13	92.6	19.0	CG165-11P-90S/L-04E CF165-11P-90S/L-04E	705 728	170
0.41	0.50	22775	0.80	3543.61	96.8	19.8			
0.48	0.58	19261	0.95	3020.06	109.5	23.0			
0.49	0.59	18871	1.00	2966.43	110.7	23.4			
0.59	0.72	15420	1.20	2448.96	119.9	26.5			
0.61	0.73	15138	1.20	2404.16	120.5	26.7			
0.71	0.86	12743	1.45	2050.07	125.4	28.9			
0.88	1.1	10143	1.80	1661.50	129.5	31.3			
0.39	0.48	23855	0.80	2448.96	92.0	18.8	CG165-11P-100L-06D CF165-11P-100L-06D	711 734	170
0.40	0.48	23419	0.80	2404.16	94.0	19.2			
0.47	0.57	19817	0.95	2050.07	107.8	22.5			
0.58	0.70	15897	1.15	1661.50	118.8	26.1			
0.69	0.84	13467	1.35	2093.95	124.0	28.3	CG164-11P-90S/L-04E CF164-11P-90S/L-04E	692 715	168
0.81	0.98	11480	1.60	1803.51	127.5	30.1			
0.88	1.1	10484	1.75	1657.33	129.0	31.0			
0.93	1.1	9828	1.85	1559.96	130.0	31.6			
1.0	1.2	9060	2.00	1447.11	131.0	32.3			
1.1	1.4	7908	2.30	1278.93	132.3	33.3			
1.2	1.4	7691	2.35	1246.39	132.5	33.5			
1.3	1.6	6699	2.70	1101.54	133.5	34.4			
0.46	0.56	20792	0.90	2093.95	104.4	21.6	CG164-11P-100L-06D CF164-11P-100L-06D	698 721	168
0.53	0.65	17798	1.05	1803.51	113.9	24.3			
0.58	0.70	16288	1.15	1657.33	117.8	25.7			
0.62	0.75	15300	1.20	1559.96	120.2	26.6			
0.66	0.81	14135	1.30	1447.11	122.7	27.7			
0.67	0.82	13943	1.30	1427.45	123.1	27.8			
0.75	0.91	12415	1.45	1278.93	126.0	29.2			
0.77	0.93	12074	1.50	1246.39	126.5	29.5			
0.78	0.94	11936	1.55	1234.69	126.8	29.7			
0.87	1.1	10562	1.75	1101.54	128.9	30.9			
0.89	1.1	10370	1.75	1081.51	129.2	31.1			
1.0	1.2	9041	2.00	952.78	131.0	32.3			
1.2	1.4	7574	2.40	811.56	132.6	33.6			
1.4	1.7	6402	2.85	698.99	133.7	34.7			
0.67	0.81	14141	0.95	2162.84	94.0	13.3	CG144-11P-90S/L-04E CF144-11P-90S/L-04E	441 459	164
0.77	0.93	12254	1.10	1885.79	98.6	15.2			
0.87	1.1	10784	1.25	1669.82	101.6	16.7			
0.90	1.1	10490	1.25	1624.38	102.2	17.0			
1.0	1.2	9344	1.40	1455.92	104.2	18.1			
1.2	1.4	7966	1.65	1254.10	106.2	19.5			
1.3	1.6	6910	1.90	1099.05	107.5	20.6			
1.4	1.7	6585	2.00	1051.77	107.9	20.9			
1.5	1.8	5950	2.20	958.27	108.5	21.5			
1.6	1.9	5589	2.35	905.71	108.9	21.9			
1.7	2.1	5201	2.50	848.21	109.2	22.3			
1.8	2.1	5041	2.60	825.43	109.3	22.4			
2.0	2.4	4451	2.95	739.56	109.8	23.0			

Legend see page 29

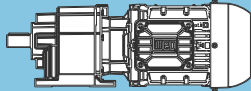
P _N = 1.1 kW								IE3	
50 Hz		60 Hz		i	at 50 Hz			m kg	Dimension sheet see page
1.1 kW		1.3 kW			F _{rN} kN	F _{aN} kN			
n ₅₀ min ⁻¹	n ₆₀ min ⁻¹	M ₂ Nm	f _B						
0.57	0.70	16648	0.80	1669.82	86.4	10.8	CG144-11P-100L-06D CF144-11P-100L-06D	447 465	164
0.59	0.72	16162	0.85	1624.38	88.0	11.3			
0.66	0.80	14456	0.90	1455.92	93.2	13.0			
0.69	0.83	13877	0.95	1400.42	94.7	13.6			
0.77	0.93	12351	1.10	1254.10	98.4	15.1			
0.79	0.95	12025	1.10	1221.03	99.1	15.4			
0.87	1.1	10757	1.25	1099.05	101.7	16.7			
0.89	1.1	10570	1.25	1079.94	102.0	16.9			
0.91	1.1	10273	1.30	1051.77	102.6	17.2			
1.0	1.2	9322	1.40	958.27	104.2	18.2			
1.1	1.3	8774	1.50	905.71	105.0	18.7			
1.2	1.4	7947	1.65	825.43	106.2	19.5			
1.3	1.6	7062	1.85	739.56	107.3	20.4			
1.4	1.6	6759	1.95	710.80	107.7	20.7			
1.5	1.8	5995	2.20	637.04	108.5	21.5			
1.6	1.9	5733	2.30	611.72	108.7	21.8			
1.7	2.1	5077	2.60	548.57	109.3	22.4			
1.8	2.2	4857	2.70	526.92	109.5	22.6			
1.9	2.3	4757	2.75	517.20	109.6	22.7			
1.0	1.2	9588	0.85	1460.54	56.4	18.5	CG134-11P-90S/L-04E CF134-11P-90S/L-04E	294 296	160
1.1	1.4	8272	1.00	1267.83	61.8	20.1			
1.2	1.4	7976	1.05	1224.91	62.8	20.4			
1.3	1.6	7103	1.15	1095.41	65.6	21.4			
1.4	1.7	6881	1.20	1063.29	66.3	21.6			
1.5	1.8	6195	1.30	961.31	68.1	22.4			
1.6	1.9	5896	1.40	918.68	68.8	22.8			
1.7	2.1	5334	1.50	834.47	70.0	23.4			
2.0	2.4	4693	1.75	741.90	71.3	24.1			
2.3	2.7	4032	2.00	644.01	72.4	24.9			
2.4	2.9	3826	2.10	613.66	72.7	25.1			
2.6	3.2	3434	2.35	556.43	73.2	25.6			
2.7	3.3	3273	2.45	532.69	73.4	25.8			
2.8	3.4	3201	2.50	521.98	73.5	25.8			
3.2	3.8	2776	2.90	460.25	74.0	26.3			
0.90	1.1	10601	0.80	1063.29	51.2	17.4	CG134-11P-100L-06D CF134-11P-100L-06D	300 302	160
1.0	1.2	9565	0.85	961.31	56.5	18.6			
1.2	1.4	8252	1.00	834.47	61.9	20.1			
1.3	1.6	7306	1.10	741.90	65.0	21.2			
1.5	1.8	6291	1.30	644.01	67.8	22.3			
1.6	1.9	5982	1.35	613.66	68.6	22.7			
1.7	2.1	5390	1.50	556.43	69.9	23.3			
1.8	2.2	5139	1.60	532.69	70.4	23.6			
2.1	2.5	4395	1.85	460.25	71.8	24.5			
2.4	3.0	3696	2.20	392.69	72.9	25.3			
2.5	3.0	3684	2.20	391.48	72.9	25.3			
2.8	3.4	3147	2.55	339.29	73.6	25.9			
2.9	3.5	3063	2.65	331.61	73.7	26.0			
3.1	3.7	2888	2.80	314.70	73.8	26.2			
1.7	2.1	5460	0.85	831.69	29.6	20.3	CG104-11P-90S/L-04E CF104-11P-90S/L-04E	180 184	156
2.1	2.5	4588	1.00	703.12	35.1	21.4			
2.3	2.8	4075	1.15	628.39	37.5	22.0			
2.7	3.3	3417	1.35	531.25	40.1	22.9			
2.8	3.4	3301	1.40	514.28	40.5	23.0			
3.3	4.0	2762	1.65	434.78	42.0	23.7			
3.5	4.2	2638	1.75	417.03	42.4	23.8			
4.1	5.0	2203	2.05	352.56	43.4	24.4			
4.2	5.0	2177	2.10	349.11	43.4	24.4			
4.9	6.0	1810	2.50	295.14	44.1	24.9			
5.1	6.2	1724	2.65	282.94	44.2	25.0			

Legend see page 29

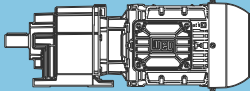
P _N = 1.1 kW								IE3	
50 Hz 1.1 kW	60 Hz 1.3 kW	M ₂ Nm	f _b	i	at 50 Hz			m kg	Dimension sheet see page
					F _{IN} kN	F _{aN} kN			
1.8	2.2	5275	0.90	531.25	30.9	20.5	CG104-11P-100L-06D CF104-11P-100L-06D	186 190	156
1.9	2.3	5107	0.90	514.28	32.1	20.7			
2.2	2.7	4291	1.05	434.78	36.5	21.7			
2.3	2.8	4107	1.10	417.03	37.4	22.0			
2.7	3.3	3437	1.35	352.56	40.0	22.8			
3.3	3.9	2847	1.60	295.14	41.8	23.6			
3.4	4.1	2718	1.70	282.94	42.2	23.7			
4.0	4.9	2270	2.00	239.20	43.2	24.3			
5.9	7.1	1779	2.55	246.43	44.1	24.9	CG103-11P-90S/L-04E CF103-11P-90S/L-04E	167 171	154
7.0	8.4	1504	3.00	208.33	44.5	25.3			
3.9	4.7	2697	1.70	246.43	42.2	23.8	CG103-11P-100L-06D CF103-11P-100L-06D	173 177	154
4.6	5.6	2280	2.00	208.33	43.2	24.3			
5.3	6.5	1973	2.30	180.35	43.8	24.7			
6.0	7.3	1748	2.60	159.72	44.2	25.0			
6.9	8.4	1512	3.00	138.17	44.5	25.3			
2.7	3.3	3549	0.85	540.55	18.1	24.8	CG094-11P-90S/L-04E CF094-11P-90S/L-04E	137 135	152
2.8	3.4	3401	0.90	519.08	19.6	25.0			
2.9	3.5	3313	0.95	506.66	20.4	25.1			
3.3	4.0	2880	1.05	442.39	23.7	25.7			
3.5	4.3	2664	1.15	410.85	25.1	26.1			
4.1	4.9	2312	1.30	358.73	26.9	26.6			
4.2	5.1	2207	1.40	343.93	27.4	26.7			
4.8	5.9	1912	1.60	300.30	28.6	27.2			
5.2	6.3	1767	1.70	278.74	29.1	27.4			
6.0	7.2	1524	2.00	243.38	29.8	27.7			
2.7	3.2	3569	0.85	358.73	17.9	24.7	CG094-11P-100L-06D CF094-11P-100L-06D	143 141	150
2.8	3.4	3415	0.90	343.93	19.5	25.0			
3.2	3.9	2964	1.05	300.30	23.1	25.6			
3.4	4.2	2745	1.10	278.74	24.6	25.9			
3.9	4.8	2377	1.30	243.38	26.6	26.5			
4.7	5.7	2215	1.40	306.73	27.3	26.7	CG093-11P-90S/L-04E CF093-11P-90S/L-04E	124 122	150
6.0	7.2	1753	1.75	242.77	29.1	27.4			
6.9	8.3	1530	2.00	211.98	29.8	27.7			
7.8	9.4	1353	2.25	187.34	30.3	28.0			
9.2	11	1144	2.65	158.42	30.7	28.3			
9.4	11	1114	2.70	154.24	30.8	28.4			
3.1	3.8	3356	0.90	306.73	20.0	25.0	CG093-11P-100L-06D CF093-11P-100L-06D	130 128	150
4.0	4.8	2657	1.15	242.77	25.1	26.1			
4.5	5.5	2320	1.30	211.98	26.9	26.6			
5.1	6.2	2050	1.50	187.34	28.0	27.0			
6.1	7.4	1734	1.75	158.42	29.2	27.4			
6.2	7.6	1688	1.80	154.24	29.3	27.5			
7.0	8.6	1490	2.05	136.18	29.9	27.8			
7.9	9.5	1336	2.25	122.08	30.3	28.0			
8.1	9.8	1301	2.35	118.88	30.4	28.1			
9.0	11	1166	2.60	106.60	30.7	28.3			
9.4	11	1115	2.70	101.85	30.8	28.4			
10	12	1031	2.95	94.21	30.9	28.5			
5.1	6.2	2057	0.80	284.84	16.4	18.3	CG083-11P-90S/L-04E CF083-11P-90S/L-04E	72 76	148
6.1	7.4	1725	0.90	238.89	19.2	19.0			
7.8	9.4	1354	1.15	187.48	21.4	19.7			
10	12	1045	1.50	144.69	22.7	20.4			
12	15	864	1.80	119.68	23.3	20.7			
14	17	735	2.15	101.80	23.6	21.0			
16	20	637	2.45	88.23	23.9	21.2			
20	24	538	2.90	74.50	24.1	21.4			
5.1	6.2	2052	0.80	187.48	16.4	18.3	CG083-11P-100L-06D CF083-11P-100L-06D	78 82	148
6.6	8.1	1583	1.00	144.69	20.1	19.3			
8.0	9.7	1310	1.20	119.68	21.6	19.8			
9.4	11	1114	1.40	101.80	22.4	20.2			
11	13	965	1.65	88.23	23.0	20.5			
13	16	815	1.95	74.50	23.4	20.8			
16	19	672	2.35	61.37	23.8	21.1			

P _N = 1.1 kW								IE3	
50 Hz 1.1 kW n ₅₀ min ⁻¹	60 Hz 1.3 kW n ₆₀ min ⁻¹	M ₂ Nm	f _B	i	at 50 Hz			m kg	Dimension sheet see page
					F _{rN} kN	F _{aN} kN			
18	22	593	2.65	54.18	24.0	21.3	CG082-11P-100L-06D CF082-11P-100L-06D	77 81	148
11	13	992	0.85	137.38	8.7	12.7	CG073-11P-90S/L-04E CF073-11P-90S/L-04E	48 52	146
12	14	902	0.95	124.97	9.9	12.6			
14	17	754	1.10	104.50	11.3	13.3			
15	19	686	1.20	95.06	11.8	13.3			
17	20	622	1.35	86.17	12.2	13.7			
19	22	566	1.45	78.39	12.6	13.7			
21	25	510	1.65	70.68	12.9	14.0			
23	27	464	1.80	64.30	13.1	14.0			
24	29	434	1.90	60.06	13.2	14.2			
27	32	394	2.10	54.63	13.3	14.2			
29	36	357	2.35	49.38	13.5	14.4	CG073-11P-100L-06D CF073-11P-100L-06D	54 58	146
32	39	324	2.45	44.92	13.6	14.4			
37	45	283	2.75	39.17	13.7	14.6			
41	49	257	2.85	35.63	13.7	14.6			
10	12	1040	0.80	95.06	8.0	12.2			
11	14	943	0.90	86.17	9.4	12.8			
12	15	858	1.00	78.39	10.3	12.8			
14	16	773	1.10	70.68	11.1	13.3			
15	18	704	1.20	64.30	11.7	13.2			
16	19	657	1.25	60.06	12.0	13.6			
18	21	598	1.40	54.63	12.4	13.6			
19	24	540	1.55	49.38	12.7	13.9			
21	26	492	1.65	44.92	12.9	13.9			
25	30	429	1.80	39.17	13.2	14.2			
27	33	390	1.90	35.63	13.4	14.2			
37	45	281	2.95	38.92	13.7	14.6	CG072-11P-90S/L-04E CF072-11P-90S/L-04E	47 51	146
25	30	426	1.95	38.92	13.2	14.2	CG072-11P-100L-06D CF072-11P-100L-06D	53 57	146
27	33	387	2.15	35.41	13.4	14.2			
31	38	334	2.50	30.55	13.5	14.5			
35	42	304	2.70	27.79	13.6	14.5			
13	16	785	0.80	108.67	5.3	5.8	CG063-11P-90S/L-04E CF063-11P-90S/L-04E	31 36	144
16	20	646	0.95	89.54	7.7	6.2			
18	21	593	1.05	82.10	8.4	6.4			
20	24	529	1.15	73.28	9.0	6.6			
22	26	485	1.25	67.19	9.4	6.7			
24	30	429	1.40	59.42	9.8	6.9			
27	32	393	1.55	54.49	10.1	6.9			
29	35	359	1.70	49.74	10.3	7.1			
32	39	329	1.85	45.61	10.4	7.1	CG063-11P-100L-06D CF063-11P-100L-06D	37 42	144
14	17	735	0.85	67.19	6.3	5.9			
16	20	650	0.95	59.42	7.7	6.2			
18	21	596	1.05	54.49	8.3	6.4			
19	23	544	1.15	49.74	8.9	6.5			
21	26	499	1.25	45.61	9.3	6.6	CG062-11P-90S/L-04E CF062-11P-90S/L-04E	31 36	144
24	29	433	1.00	60.00	9.8	6.8			
26	32	397	1.00	55.02	10.1	6.9			
31	37	343	1.75	47.55	10.4	7.1			
33	40	315	1.80	43.60	10.5	7.2			
39	48	267	2.30	36.92	10.7	7.3			
43	52	244	2.50	33.86	10.8	7.4			
44	53	241	1.00	33.43	10.8	7.1			
48	58	219	2.75	30.30	10.9	7.5			
52	63	201	3.00	27.78	10.8	7.5			
55	66	191	1.80	26.49	10.6	7.3			
71	86	149	2.55	20.57	9.8	7.5			

Legend see page 29

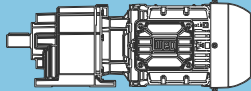
P _N = 1.1 kW								IE3	
50 Hz 1.1 kW	60 Hz 1.3 kW	M ₂ Nm	f _b	i	at 50 Hz			m kg	Dimension sheet see page
					F _{IN} kN	F _{aN} kN			
20	24	520	1.20	47.55	9.1	6.6	CG062-11P-100L-06D CF062-11P-100L-06D	37 42	144
22	27	477	1.20	43.60	9.5	6.7			
26	32	404	1.50	36.92	10.0	6.9			
28	34	370	1.65	33.86	10.2	7.0			
32	38	332	1.85	30.30	10.4	7.1			
35	42	304	2.00	27.78	10.6	7.2			
36	44	290	1.20	26.49	10.6	6.9			
41	50	257	2.35	23.46	10.8	7.4			
45	54	235	2.55	21.51	10.8	7.4			
47	57	225	1.70	20.57	10.9	7.2			
57	69	185	2.05	16.88	10.4	7.3			
73	89	143	2.65	13.07	9.7	7.5			
21	25	511	0.80	70.71	1.6	5.7			
24	29	445	0.90	61.63	4.0	6.1			
26	31	404	1.00	56.02	4.9	6.2			
30	36	355	1.15	49.20	5.7	6.5			
33	39	323	1.25	44.73	6.1	6.6			
30	37	347	1.00	48.13	5.8	6.5	CG052-11P-90S/L-04E CF052-11P-90S/L-04E	26 31	142
33	40	316	1.00	43.75	6.1	6.6			
38	46	274	1.50	38.00	6.6	6.9			
42	51	249	1.65	34.55	6.8	6.9			
49	60	213	1.90	29.46	7.0	7.1			
50	60	211	1.00	29.17	7.1	6.9			
54	66	193	2.10	26.79	7.2	7.2			
60	73	174	2.30	24.12	7.3	7.3			
63	76	166	1.65	23.03	7.3	7.1			
66	80	158	2.55	21.92	7.4	7.4			
78	95	134	3.00	18.56	7.5	7.5			
81	99	129	2.10	17.86	7.3	7.4			
100	120	106	2.55	14.62	6.9	7.5			
25	31	416	1.00	38.00	4.7	6.2	CG052-11P-100L-06D CF052-11P-100L-06D	32 37	142
28	34	378	1.10	34.55	5.3	6.4			
33	40	322	1.25	29.46	6.1	6.6			
36	43	293	1.40	26.79	6.4	6.7			
40	48	264	1.55	24.12	6.7	6.9			
42	51	252	1.10	23.03	6.8	6.7			
44	53	240	1.70	21.92	6.9	7.0			
52	63	203	2.00	18.56	7.1	7.2			
54	65	195	1.40	17.86	7.2	7.0			
57	69	185	2.20	16.88	7.2	7.2			
66	80	160	1.70	14.62	7.3	7.2			
68	83	153	2.65	14.03	7.4	7.4			
75	91	140	2.90	12.75	7.4	7.5			
85	104	123	2.20	11.25	7.2	7.4			
113	137	93	2.90	8.50	6.7	7.6			
42	50	252	0.80	34.88	3.9	3.0	CG032-11P-90S/L-04E CF032-11P-90S/L-04E	22 24	140
46	56	229	0.90	31.67	4.3	3.1			
53	64	200	1.00	27.71	4.6	3.4			
58	70	182	1.15	25.17	4.5	3.4			
68	82	155	1.30	21.40	4.4	3.6			
74	90	141	0.95	19.54	4.2	3.5			
75	91	140	1.45	19.44	4.3	3.7			
85	103	123	1.65	17.09	4.2	3.8			
94	113	112	1.20	15.53	4.0	3.8			
113	136	93	2.10	12.92	3.9	4.0			
121	147	87	1.55	11.99	3.8	3.9			
124	150	85	2.35	11.73	3.8	4.1			
148	179	71	2.55	9.82	3.7	4.2			
152	184	69	1.90	9.57	3.6	4.1			
163	197	64	2.85	8.92	3.6	4.2			
201	243	52	2.50	7.24	3.3	4.2			

Legend see page 29

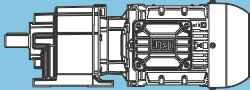
P _N = 1.1 kW								IE3	
50 Hz		60 Hz		i	at 50 Hz			m kg	Dimension sheet see page
1.1 kW		1.3 kW			F _{rN} kN	F _{aN} kN			
n ₅₀ min ⁻¹	n ₆₀ min ⁻¹	M ₂ Nm	f _B						
45	54	234	0.90	21.40	4.2	3.1	CG032-11P-100L-06D CF032-11P-100L-06D	28 30	140
49	60	213	0.95	19.44	4.6	3.3			
56	68	187	1.10	17.09	4.6	3.4			
62	75	170	0.80	15.53	4.3	3.3			
74	90	141	1.40	12.92	4.3	3.7			
80	97	131	1.00	11.99	4.2	3.6			
82	99	128	1.55	11.73	4.2	3.8			
98	119	107	1.70	9.82	4.1	3.9			
100	122	105	1.25	9.57	4.0	3.8			
108	131	98	1.90	8.92	4.0	4.0			
126	153	84	2.05	7.64	3.8	4.1			
133	161	79	1.65	7.24	3.7	4.0			
138	168	76	2.30	6.94	3.7	4.1			
161	195	65	2.45	5.96	3.6	4.2			
175	212	60	2.20	5.50	3.5	4.1			
177	215	59	2.70	5.41	3.5	4.2			
224	272	47	2.80	4.28	3.3	4.2			
98	118	107	0.80	14.88	2.7	0.9	CG012-11P-90S/L-04E CF012-11P-90S/L-04E	20 21	138
109	132	96	0.90	13.33	2.7	1.0			
113	137	93	0.95	12.83	2.6	1.0			
127	153	83	1.05	11.50	2.6	1.1			
130	157	81	1.05	11.20	2.6	1.1			
145	175	72	1.15	10.04	2.5	1.2			
152	183	69	1.00	9.60	2.4	1.0			
177	214	59	1.30	8.22	2.4	1.2			
194	235	54	1.25	7.50	2.3	1.1			
198	239	53	1.40	7.36	2.3	1.3			
260	314	40	1.65	5.60	2.1	1.3			
301	364	35	1.90	4.83	2.1	1.3			
345	417	30	2.20	4.22	2.0	1.4			
470	569	22	2.85	3.09	1.8	1.4			



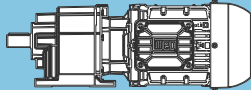
Legend see page 29

P _N = 1.5 kW								IE3	
50 Hz 1.5 kW	60 Hz 1.8 kW	M ₂ Nm	f _b	i	at 50 Hz			m kg	Dimension sheet see page
					F _{IN} kN	F _{aN} kN			
0.59	0.72	21482	0.85	2448.96	101.9	21.0	CG165-11P-90S/L-04F CF165-11P-90S/L-04F	706 729	170
0.60	0.73	21035	0.90	2404.16	103.6	21.4			
0.71	0.86	17799	1.05	2050.07	113.9	24.3			
0.87	1.1	14242	1.30	1661.50	122.5	27.6			
0.69	0.84	18694	1.00	2093.95	111.3	23.5			
0.80	0.97	16003	1.15	1803.51	118.5	26.0	CG164-11P-90S/L-04F CF164-11P-90S/L-04F	693 716	168
0.87	1.1	14645	1.25	1657.33	121.6	27.2			
0.93	1.1	13728	1.35	1559.96	123.5	28.0			
1.0	1.2	12683	1.45	1447.11	125.5	29.0			
1.1	1.4	11117	1.65	1278.93	128.1	30.4			
1.2	1.4	10811	1.70	1246.39	128.6	30.7			
1.3	1.6	9476	1.90	1101.54	130.4	31.9			
1.5	1.8	8078	2.25	952.78	132.1	33.2			
1.6	1.9	7881	2.30	931.50	132.3	33.3			
1.8	2.2	6753	2.70	811.56	133.4	34.4			
0.77	0.93	16975	0.80	1885.79	85.3	10.5	CG144-11P-90S/L-04F CF144-11P-90S/L-04F	442 460	164
0.87	1.1	14969	0.90	1669.82	91.7	12.5			
0.89	1.1	14562	0.90	1624.38	92.9	12.9			
1.0	1.2	12972	1.05	1455.92	97.0	14.5			
1.2	1.4	11105	1.20	1254.10	101.0	16.4			
1.3	1.6	9672	1.35	1099.05	103.6	17.8			
1.4	1.7	9218	1.45	1051.77	104.4	18.3			
1.5	1.8	8347	1.60	958.27	105.7	19.1			
1.6	1.9	7856	1.70	905.71	106.3	19.6			
1.7	2.1	7327	1.80	848.21	107.0	20.2			
1.8	2.1	7116	1.85	825.43	107.3	20.4			
2.0	2.4	6310	2.10	739.56	108.1	21.2			
2.1	2.5	5961	2.20	701.59	108.5	21.5			
2.3	2.8	5356	2.45	637.04	109.1	22.1			
2.4	2.9	5122	2.55	611.72	109.3	22.4			
2.6	3.2	4527	2.90	548.57	109.7	23.0			
1.3	1.6	9840	0.85	1095.41	55.2	18.3	CG134-11P-90S/L-04F CF134-11P-90S/L-04F	295 297	160
1.4	1.7	9551	0.85	1063.29	56.5	18.6			
1.5	1.8	8600	0.95	961.31	60.6	19.7			
1.6	1.9	8202	1.00	918.68	62.0	20.1			
1.7	2.1	7419	1.10	834.47	64.7	21.0			
2.0	2.4	6556	1.25	741.90	67.2	22.0			
2.3	2.7	5644	1.45	644.01	69.4	23.1			
2.4	2.9	5367	1.50	613.66	70.0	23.4			
2.6	3.2	4827	1.70	556.43	71.0	24.0			
2.7	3.3	4611	1.75	532.69	71.4	24.2			
2.8	3.4	4509	1.80	521.98	71.6	24.3			
3.2	3.8	3935	2.05	460.25	72.5	25.0			
3.7	4.5	3302	2.45	392.69	73.4	25.7			
3.8	4.6	3205	2.50	382.01	73.5	25.8			
4.3	5.2	2800	2.90	339.29	73.9	26.3			
4.4	5.3	2731	2.95	331.61	74.0	26.4			
2.3	2.8	5656	0.80	628.39	28.1	20.0	CG134-11P-90S/L-04F CF134-11P-90S/L-04F	181 185	160
2.7	3.3	4753	0.95	531.25	34.2	21.2			
2.8	3.4	4591	1.00	514.28	35.0	21.4			
3.3	4.0	3850	1.20	434.78	38.5	22.3			
3.5	4.2	3685	1.25	417.03	39.1	22.5			
4.1	5.0	3084	1.50	352.56	41.1	23.3			
4.2	5.0	3053	1.50	349.11	41.2	23.3			
4.9	5.9	2550	1.80	295.14	42.6	24.0			
5.1	6.2	2439	1.85	282.94	42.8	24.1			
6.1	7.3	2028	2.25	239.20	43.7	24.6			
5.9	7.1	2435	1.85	246.43	42.9	24.1	CG103-11P-90S/L-04F CF103-11P-90S/L-04F	168 172	154
7.0	8.4	2058	2.20	208.33	43.6	24.6			
8.0	9.7	1782	2.55	180.35	44.1	24.9			
9.1	11	1578	2.90	159.72	44.4	25.2			

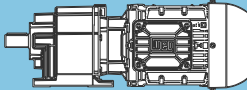
Legend see page 29

P _N = 1.5 kW								IE3	
50 Hz		60 Hz		i	at 50 Hz			m kg	Dimension sheet see page
1.5 kW		1.8 kW			F _{TN} kN	F _{aN} kN			
n ₅₀ min ⁻¹	n ₆₀ min ⁻¹	M ₂ Nm	f _B						
3.3	4.0	3982	0.80	442.39	12.2	24.1	CG094-11P-90S/L-04F CF094-11P-90S/L-04F	139 137	152
3.5	4.3	3691	0.85	410.85	16.5	24.5			
4.0	4.9	3209	0.95	358.73	21.3	25.3			
4.1	5.0	3144	1.00	352.17	21.8	25.4			
4.2	5.1	3071	1.00	343.93	22.4	25.5			
4.8	5.8	2665	1.15	300.30	25.1	26.1			
5.2	6.3	2463	1.25	278.74	26.2	26.4			
6.0	7.2	2133	1.45	243.38	27.7	26.8			
4.7	5.7	3030	1.00	306.73	22.7	25.5	CG093-11P-90S/L-04F CF093-11P-90S/L-04F	126 124	150
6.0	7.2	2398	1.30	242.77	26.5	26.5			
6.8	8.3	2094	1.45	211.98	27.9	26.9			
7.7	9.4	1851	1.65	187.34	28.8	27.3			
9.2	11	1565	1.95	158.42	29.7	27.7			
9.4	11	1524	2.00	154.24	29.8	27.7			
11	13	1345	2.25	136.18	30.3	28.0			
12	14	1206	2.50	122.08	30.6	28.2			
14	16	1053	2.85	106.60	30.9	28.4			
7.7	9.4	1852	0.85	187.48	18.2	18.7	CG083-11P-90S/L-04F CF083-11P-90S/L-04F	73 77	148
10	12	1429	1.10	144.69	21.0	19.6			
12	15	1182	1.35	119.68	22.2	20.1			
14	17	1006	1.55	101.80	22.8	20.4			
16	20	872	1.80	88.23	23.3	20.7			
19	24	736	2.15	74.50	23.6	21.0			
24	29	606	2.60	61.37	23.9	21.3			
27	32	535	2.90	54.18	24.1	21.4			
14	17	1032	0.80	104.50	8.1	12.5	CG073-11P-90S/L-04F CF073-11P-90S/L-04F	49 53	146
15	18	939	0.90	95.06	9.4	12.5			
17	20	851	1.00	86.17	10.4	13.0			
18	22	774	1.10	78.39	11.1	13.0			
21	25	698	1.20	70.68	11.7	13.5			
23	27	635	1.30	64.30	12.1	13.5			
24	29	593	1.40	60.06	12.4	13.8			
27	32	540	1.55	54.63	12.7	13.8			
29	36	488	1.70	49.38	13.0	14.1			
32	39	444	1.80	44.92	13.2	14.0			
37	45	387	2.00	39.17	13.4	14.3			
41	49	352	2.10	35.63	13.5	14.3			
37	45	385	2.15	38.92	13.4	14.3	CG072-11P-90S/L-04F CF072-11P-90S/L-04F	48 52	146
41	50	350	2.35	35.41	13.5	14.3			
47	57	302	2.75	30.55	13.6	14.6			
52	63	275	3.00	27.79	13.7	14.6			
20	24	724	0.85	73.28	6.5	6.0	CG063-11P-90S/L-04F CF063-11P-90S/L-04F	33 38	144
22	26	664	0.95	67.19	7.5	6.2			
24	30	587	1.05	59.42	8.4	6.4			
27	32	538	1.15	54.49	8.9	6.5			
29	35	491	1.25	49.74	9.4	6.7			
32	38	451	1.35	45.61	9.7	6.8			
30	37	470	1.30	47.55	9.5	6.7	CG062-11P-90S/L-04F CF062-11P-90S/L-04F	33 38	144
33	40	431	1.35	43.60	9.8	6.8			
39	48	365	1.65	36.92	10.3	7.0			
43	52	334	1.80	33.86	10.4	7.1			
48	58	299	2.05	30.30	10.6	7.2			
52	63	274	2.20	27.78	10.5	7.3			
55	66	262	1.35	26.49	10.3	7.0			
62	75	232	2.60	23.46	10.0	7.4			
67	82	213	2.85	21.51	9.8	7.5			
70	85	203	1.90	20.57	9.6	7.3			
86	104	167	2.30	16.88	9.1	7.4			
111	134	129	2.95	13.07	8.4	7.6			
29	36	486	0.85	49.20	2.8	5.9	CG053-11P-90S/L-04F CF053-11P-90S/L-04F	28 33	142
32	39	442	0.95	44.73	4.1	6.1			

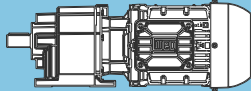
Legend see page 29

P _N = 1.5 kW								IE3	
50 Hz 1.5 kW n ₅₀ min ⁻¹	60 Hz 1.8 kW n ₆₀ min ⁻¹	M ₂ Nm	f _b	i	at 50 Hz			m kg	Dimension sheet see page
					F _{IN} kN	F _{aN} kN			
38	46	375	1.10	38.00	5.4	6.4	CG052-11P-90S/L-04F CF052-11P-90S/L-04F	27 32	142
42	51	341	1.20	34.55	5.8	6.5			
49	60	291	1.40	29.46	6.4	6.8			
54	66	265	1.55	26.79	6.7	6.9			
60	73	238	1.70	24.12	6.9	7.0			
63	76	228	1.20	23.03	6.9	6.8			
66	80	217	1.85	21.92	7.0	7.1			
78	95	183	2.20	18.56	7.2	7.3			
81	98	176	1.55	17.86	7.1	7.1			
86	104	167	2.40	16.88	7.0	7.3			
99	120	144	1.85	14.62	6.7	7.3			
103	125	139	2.90	14.03	6.7	7.5			
129	156	111	2.45	11.25	6.3	7.5			
58	70	249	0.85	25.17	4.0	3.0	CG032-11P-90S/L-04F CF032-11P-90S/L-04F	23 25	140
68	82	211	0.95	21.40	4.1	3.3			
75	90	192	1.05	19.44	4.0	3.4			
85	103	169	1.20	17.09	3.9	3.5			
93	113	153	1.35	15.52	3.9	3.6			
93	113	153	0.85	15.53	3.8	3.4			
112	136	128	1.55	12.92	3.7	3.8			
121	146	118	1.10	11.99	3.6	3.7			
124	150	116	1.75	11.73	3.6	3.9			
148	179	97	1.90	9.82	3.5	4.0			
151	183	95	1.40	9.57	3.4	3.9			
163	197	88	2.10	8.92	3.4	4.0			
190	230	75	2.25	7.64	3.3	4.1			
200	243	71	1.85	7.24	3.2	4.1			
209	253	69	2.50	6.94	3.2	4.2			
243	294	59	2.70	5.96	3.1	4.2			
264	319	54	2.40	5.50	3.0	4.2			
268	324	53	3.00	5.41	3.0	4.3			
129	157	111	0.80	11.20	2.4	0.9	CG012-11P-90S/L-04F CF012-11P-90S/L-04F	21 22	138
144	175	99	0.85	10.04	2.3	1.0			
176	214	81	0.95	8.22	2.3	1.1			
193	234	74	0.90	7.50	2.1	1.0			
197	238	73	1.05	7.36	2.2	1.2			
259	313	55	1.20	5.60	2.0	1.1			
300	363	48	1.40	4.83	2.0	1.2			
344	416	42	1.60	4.22	1.9	1.3			
469	567	31	2.10	3.09	1.8	1.4			

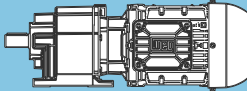
Legend see page 29

P_N = 2.2 kW							IE3		
50 Hz		60 Hz		i	at 50 Hz			m kg	Dimension sheet see page
2.2 kW		2.6 kW			F_{rN} kN	F_{aN} kN			
n₅₀ min ⁻¹	n₆₀ min ⁻¹	M₂ Nm	f_B						
0.86	1.1	21599	0.85	1661.50	101.5	20.9	CG165-11P-100L-04E CF165-11P-100L-04E	716	170
0.90	1.1	20774	0.90	1602.16	104.5	21.6		739	
0.87	1.1	22063	0.85	1657.33	99.7	20.5	CG164-11P-100L-04E CF164-11P-100L-04E	703 726	168
0.92	1.1	20725	0.90	1559.96	104.7	21.7			
0.99	1.2	19186	0.95	1447.11	109.8	23.1			
1.0	1.2	18887	1.00	1427.45	110.7	23.3			
1.1	1.4	16852	1.10	1278.93	116.4	25.2			
1.2	1.4	16423	1.10	1246.39	117.5	25.6			
1.3	1.6	14426	1.25	1101.54	122.1	27.4			
1.5	1.8	12350	1.50	952.78	126.1	29.3			
1.8	2.2	10411	1.75	811.56	129.2	31.0			
2.1	2.5	8856	2.05	698.99	131.2	32.5			
2.4	2.9	7550	2.40	604.60	132.7	33.6			
2.5	3.0	7166	2.55	577.48	133.0	34.0			
2.8	3.4	6348	2.85	517.99	133.8	34.7			
2.9	3.5	6083	3.00	499.49	134.0	35.0			
1.1	1.4	16730	0.80	1254.10	86.1	10.7	CG144-11P-100L-04E CF144-11P-100L-04E	452 470	164
1.2	1.4	16288	0.80	1221.03	87.6	11.2			
1.3	1.6	14601	0.90	1099.05	92.8	12.9			
1.4	1.7	13945	0.95	1051.77	94.5	13.5			
1.5	1.8	12653	1.05	958.27	97.7	14.8			
1.6	1.9	11934	1.10	905.71	99.3	15.5			
1.7	2.1	11131	1.20	848.21	101.0	16.3			
1.9	2.4	9645	1.35	739.56	103.7	17.8			
2.0	2.5	9232	1.45	710.80	104.3	18.2			
2.3	2.7	8223	1.60	637.04	105.8	19.3			
2.4	2.9	7672	1.70	596.77	106.6	19.8			
2.6	3.2	6994	1.90	548.57	107.4	20.5			
2.7	3.3	6704	1.95	526.92	107.7	20.8			
2.8	3.4	6606	2.00	520.33	107.8	20.9			
3.2	3.8	5690	2.30	453.75	108.8	21.8			
3.3	4.0	5454	2.40	436.75	109.0	22.0			
3.4	4.1	5237	2.50	421.15	109.2	22.3			
3.7	4.5	4780	2.75	388.44	109.5	22.7			
3.8	4.6	4676	2.80	380.80	109.6	22.8			
3.9	4.8	4491	2.90	367.20	109.8	23.0			
4.0	4.9	4382	3.00	359.79	109.8	23.1			
1.9	2.4	9877	0.85	741.90	55.0	18.2	CG134-11P-100L-04E CF134-11P-100L-04E	305 307	160
2.0	2.4	9598	0.85	720.98	56.3	18.5			
2.2	2.7	8538	0.95	644.01	60.8	19.7			
2.3	2.8	8119	1.00	613.66	62.3	20.2			
2.6	3.1	7332	1.10	556.43	64.9	21.1			
2.7	3.3	7005	1.15	532.69	65.9	21.5			
3.1	3.8	6003	1.35	460.25	68.6	22.6			
3.2	3.9	5897	1.40	453.11	68.8	22.8			
3.7	4.4	5069	1.60	392.69	70.6	23.7			
3.8	4.6	4921	1.65	382.01	70.9	23.9			
3.9	4.7	4735	1.70	368.37	71.2	24.1			
4.2	5.1	4335	1.85	339.29	71.9	24.5			
4.3	5.3	4228	1.90	331.61	72.1	24.7			
4.5	5.5	4060	2.00	319.76	72.3	24.9			
4.6	5.5	3987	2.05	314.70	72.4	24.9			
5.0	6.1	3600	2.25	286.51	73.0	25.4			
5.2	6.3	3457	2.35	276.28	73.2	25.6			
5.3	6.4	3418	2.35	273.18	73.2	25.6			
6.1	7.4	2899	2.80	236.02	73.8	26.2			
3.3	4.0	5800	0.80	434.78	26.9	19.8	CG104-11P-100L-04E CF104-11P-100L-04E	305 307	156
3.4	4.2	5552	0.85	417.03	28.9	20.1			
4.1	4.9	4665	1.00	352.56	34.7	21.3			
4.9	5.9	3873	1.20	295.14	38.4	22.3			
5.1	6.2	3705	1.25	282.94	39.0	22.5			
5.3	6.4	3566	1.30	272.83	39.5	22.7			
6.0	7.3	3107	1.45	239.20	41.1	23.2			
6.2	7.6	2984	1.55	230.65	41.4	23.4			



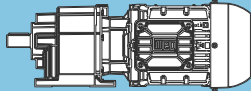
P _N = 2.2 kW								IE3	
50 Hz 2.2 kW	60 Hz 2.6 kW	M ₂ Nm	f _b	i	at 50 Hz			m kg	Dimension sheet see page
					F _{IN} kN	F _{aN} kN			
5.8	7.1	3608	1.25	246.43	39.4	22.6	CG103-11P-100L-04E CF103-11P-100L-04E	178 182	154
6.9	8.4	3050	1.50	208.33	41.2	23.3			
8.0	9.7	2640	1.75	180.35	42.4	23.8			
9.0	11	2339	1.95	159.72	43.1	24.2			
10	13	2023	2.25	138.17	43.7	24.6			
11	13	1951	2.35	133.24	43.8	24.7			
12	14	1786	2.55	122.02	44.1	24.9			
14	17	1510	3.00	103.15	44.5	25.3			
5.1	6.3	3711	0.85	278.74	16.2	24.5	CG094-11P-100L-04E CF094-11P-100L-04E	149 147	152
5.3	6.5	3578	0.85	268.78	17.8	24.7			
5.9	7.2	3227	0.95	243.38	21.1	25.2			
6.1	7.4	3105	1.00	234.69	22.1	25.4			
5.9	7.2	3554	0.85	242.77	18.0	24.7	CG093-11P-100L-04E CF093-11P-100L-04E	136 134	150
6.8	8.2	3104	1.00	211.98	22.1	25.4			
7.7	9.3	2743	1.10	187.34	24.6	25.9			
9.1	11	2320	1.30	158.42	26.9	26.6			
9.3	11	2258	1.35	154.24	27.1	26.7			
11	13	1994	1.55	136.18	28.3	27.1			
12	14	1787	1.70	122.08	29.0	27.4			
13	16	1561	1.95	106.60	29.7	27.7			
14	17	1491	2.05	101.85	29.9	27.8			
15	18	1438	2.10	98.21	30.0	27.9			
17	20	1269	2.40	86.68	30.5	28.1			
18	22	1166	2.60	79.66	30.7	28.3			
20	24	1065	2.85	72.72	30.9	28.4			
21	25	1003	3.00	68.48	31.0	28.5			
12	15	1752	0.90	119.68	19.0	18.9	CG083-11P-100L-04E CF083-11P-100L-04E	83 87	148
14	17	1490	1.05	101.80	20.7	19.5			
16	20	1292	1.20	88.23	21.7	19.9			
19	23	1091	1.45	74.50	22.5	20.3			
20	24	1052	1.50	71.84	22.7	20.4			
23	28	899	1.75	61.37	23.2	20.7			
26	32	793	2.00	54.18	23.5	20.9	CG082-11P-100L-04E CF082-11P-100L-04E	82 86	148
33	41	628	2.50	42.88	23.9	21.2			
38	47	548	2.85	37.44	23.4	21.4			
46	56	457	2.45	31.23	22.0	21.4			
20	25	1035	0.80	70.68	8.1	12.5	CG073-11P-100L-04E CF073-11P-100L-04E	59 63	146
22	27	941	0.90	64.30	9.4	12.5			
24	29	879	0.95	60.06	10.1	13.0			
26	32	800	1.05	54.63	10.9	13.0			
29	35	723	1.15	49.38	11.5	13.4			
30	37	697	1.20	47.62	11.7	13.5			
32	39	658	1.25	44.92	12.0	13.4			
33	40	634	1.25	43.32	12.2	13.5			
37	45	573	1.35	39.17	12.5	13.8			
40	49	522	1.40	35.63	12.8	13.8			
37	45	570	1.45	38.92	12.5	13.8	CG072-11P-100L-04E CF072-11P-100L-04E	58 62	146
41	49	518	1.60	35.41	12.8	13.8			
47	57	447	1.85	30.55	13.1	14.2			
52	63	407	2.05	27.79	13.3	14.2			
61	74	345	2.35	23.58	13.5	14.4			
67	81	314	2.50	21.45	13.6	14.4			
70	85	302	2.30	20.65	13.6	14.1			
74	89	286	2.70	19.50	13.7	14.6			
81	98	260	2.85	17.74	13.7	14.6			
87	105	243	3.00	16.59	13.8	14.7			
89	108	237	2.85	16.20	13.8	14.4			
26	32	798	0.80	54.49	4.9	5.8	CG063-11P-100L-04E CF063-11P-100L-04E	43 48	144
29	35	728	0.85	49.74	6.4	6.0			
31	38	668	0.90	45.61	7.4	6.1			

Legend see page 29

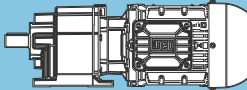
P _N = 2.2 kW								IE3	
50 Hz	60 Hz	M ₂ Nm	f _B	i	at 50 Hz			m kg	Dimension sheet see page
2.2 kW	2.6 kW				F _{rN} kN	F _{aN} kN			
n ₅₀ min ⁻¹	n ₆₀ min ⁻¹								
39	47	541	1.15	36.92	8.9	6.5	CG062-11P-100L-04E CF062-11P-100L-04E	42 47	144
42	52	496	1.25	33.86	9.3	6.6			
47	58	444	1.40	30.30	9.7	6.8			
52	63	407	1.50	27.78	10.0	6.9			
61	74	344	1.75	23.46	9.7	7.1			
67	81	315	1.95	21.51	9.5	7.2			
70	85	301	1.30	20.57	9.3	6.8			
80	98	261	2.30	17.85	9.1	7.3			
85	103	247	1.55	16.88	8.8	7.1			
88	107	240	2.55	16.36	8.8	7.4			
98	119	215	2.80	14.72	8.6	7.5			
110	133	191	2.00	13.07	8.2	7.3			
144	176	146	2.60	9.94	7.6	7.5			
49	59	431	0.95	29.46	4.3	6.1	CG052-11P-100L-04E CF052-11P-100L-04E	37 42	142
54	65	392	1.05	26.79	5.1	6.3			
60	72	353	1.15	24.12	5.7	6.5			
65	80	321	1.25	21.92	6.1	6.6			
77	94	272	1.50	18.56	6.6	6.9			
80	98	261	1.05	17.86	6.7	6.6			
85	103	247	1.65	16.88	6.7	7.0			
98	119	214	1.25	14.62	6.4	6.9			
102	124	205	1.95	14.03	6.5	7.2			
113	137	187	2.15	12.75	6.3	7.2			
125	152	168	2.40	11.48	6.1	7.3			
128	155	165	1.65	11.25	6.0	7.2			
138	167	153	2.65	10.43	6.0	7.4			
154	187	136	2.85	9.31	5.8	7.5			
169	205	124	2.15	8.50	5.6	7.4			
170	206	124	2.95	8.46	5.6	7.5			
206	251	102	2.65	6.96	5.3	7.5			
84	102	250	0.80	17.09	3.5	3.0	CG032-11P-100L-04E CF032-11P-100L-04E	33 35	140
92	112	227	0.90	15.52	3.4	3.2			
111	135	189	1.05	12.92	3.4	3.4			
122	149	172	1.20	11.73	3.3	3.5			
146	178	144	1.30	9.82	3.3	3.7			
150	182	140	0.95	9.57	3.1	3.5			
161	196	131	1.45	8.92	3.2	3.8			
188	228	112	1.55	7.64	3.1	3.9			
198	241	106	1.25	7.24	3.0	3.8			
207	252	102	1.70	6.94	3.0	4.0			
241	293	87	1.85	5.96	3.0	4.1			
261	317	81	1.65	5.50	2.9	4.0			
265	322	79	2.05	5.41	2.9	4.1			
335	408	63	2.10	4.28	2.7	4.1			
430	522	49	2.70	3.34	2.5	4.2			



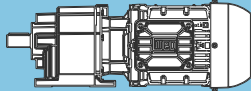
Legend see page 29

P _N = 3.0 kW							IE3		
50 Hz		60 Hz		i	at 50 Hz			m kg	Dimension sheet see page
3.0 kW		3.6 kW			F _{IN} kN	F _{aN} kN			
n ₅₀ min ⁻¹	n ₆₀ min ⁻¹	M ₂ Nm	f _b						
1.1	1.4	23184	0.80	1278.93	95.0	19.4	CG164-11P-L100L-04F CF164-11P-L100L-04F	710 733	168
1.2	1.4	22594	0.80	1246.39	97.5	20.0			
1.3	1.6	19846	0.95	1101.54	107.7	22.5			
1.5	1.8	17061	1.10	952.78	115.9	25.0			
1.8	2.1	14442	1.25	811.56	122.0	27.4			
2.1	2.5	12312	1.50	698.99	126.1	29.3			
2.4	2.9	10540	1.75	604.60	129.0	30.9			
2.5	3.0	10046	1.80	577.48	129.7	31.4			
2.8	3.4	8919	2.05	517.99	131.1	32.4			
2.9	3.5	8582	2.10	499.49	131.5	32.7			
3.3	3.9	7465	2.45	440.86	132.7	33.7			
3.4	4.1	7225	2.50	427.56	133.0	33.9			
3.9	4.7	6133	2.95	369.82	134.0	34.9			
1.6	1.9	16418	0.80	905.71	87.2	11.0	CG144-11P-L100L-04F CF144-11P-L100L-04F	459 477	164
1.7	2.1	15345	0.85	848.21	90.6	12.1			
1.9	2.4	13297	1.00	739.56	96.2	14.2			
2.0	2.4	12754	1.05	710.80	97.5	14.7			
2.1	2.5	12589	1.05	701.59	97.9	14.9			
2.3	2.7	11383	1.15	637.04	100.5	16.1			
2.4	2.8	10909	1.20	611.72	101.4	16.6			
2.6	3.2	9722	1.35	548.57	103.5	17.8			
2.7	3.3	9319	1.40	526.92	104.2	18.2			
2.8	3.3	9184	1.45	520.33	104.4	18.3			
3.2	3.8	7943	1.65	453.75	106.2	19.5			
3.3	4.0	7614	1.75	436.75	106.6	19.9			
3.4	4.1	7327	1.80	421.15	107.0	20.2			
3.7	4.5	6716	1.95	388.44	107.7	20.8			
3.8	4.6	6570	2.00	380.80	107.9	20.9			
3.9	4.7	6309	2.10	367.20	108.2	21.2			
4.0	4.8	6169	2.15	359.79	108.3	21.3			
4.3	5.2	5700	2.30	334.50	108.8	21.8			
4.4	5.3	5578	2.35	328.01	108.9	21.9			
4.6	5.5	5356	2.45	316.30	109.1	22.1			
5.1	6.2	4714	2.80	282.46	109.6	22.8			
5.3	6.4	4526	2.90	272.37	109.7	23.0			
2.6	3.1	10087	0.80	556.43	54.0	18.0	CG134-11P-L100L-04F CF134-11P-L100L-04F	312 314	160
2.7	3.3	9637	0.85	532.69	56.1	18.5			
2.8	3.3	9443	0.85	521.98	57.0	18.7			
3.1	3.8	8275	1.00	460.25	61.8	20.0			
3.2	3.8	8147	1.00	453.11	62.2	20.2			
3.7	4.4	7017	1.15	392.69	65.9	21.5			
3.8	4.6	6812	1.20	382.01	66.5	21.7			
3.9	4.7	6555	1.25	368.37	67.2	22.0			
4.2	5.1	6013	1.35	339.29	68.5	22.6			
4.3	5.2	5865	1.40	331.61	68.9	22.8			
4.5	5.4	5644	1.45	319.76	69.4	23.1			
4.6	5.5	5554	1.45	314.70	69.6	23.2			
5.0	6.1	5026	1.60	286.51	70.7	23.8			
5.2	6.3	4826	1.70	276.28	71.0	24.0			
5.3	6.4	4772	1.70	273.18	71.1	24.0			
6.1	7.4	4072	2.00	236.02	72.3	24.8			
4.9	5.9	5339	0.85	295.14	30.5	20.4	CG104-11P-L100L-04F CF104-11P-L100L-04F	198 202	156
5.1	6.1	5108	0.90	282.94	32.1	20.7			
5.3	6.4	4915	0.95	272.83	33.2	20.9			
6.0	7.3	4292	1.05	239.20	36.5	21.7			
6.2	7.5	4130	1.10	230.65	37.3	21.9			

Legend see page 29

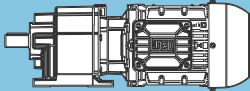
P _N = 3.0 kW								IE3	
50 Hz		60 Hz		i	at 50 Hz			m kg	Dimension sheet see page
3.0 kW		3.6 kW			F _{rN} kN	F _{aN} kN			
n ₅₀ min ⁻¹	n ₆₀ min ⁻¹	M ₂ Nm	f _B						
5.8	7.1	4903	0.95	246.43	33.3	21.0	CG103-11P-L100L-04F CF103-11P-L100L-04F	185 189	154
6.9	8.4	4145	1.10	208.33	37.2	21.9			
8.0	9.6	3588	1.30	180.35	39.5	22.6			
9.0	11	3178	1.45	159.72	40.9	23.2			
10	13	2749	1.65	138.17	42.1	23.7			
11	13	2651	1.70	133.24	42.3	23.8			
12	14	2428	1.90	122.02	42.9	24.1			
14	17	2052	2.20	103.15	43.6	24.6			
16	19	1777	2.55	89.30	44.1	24.9			
17	20	1717	2.65	86.31	43.6	25.0			
18	22	1573	2.90	79.08	42.6	25.2			
7.7	9.3	3727	0.85	187.34	16.0	24.5	CG093-11P-L100L-04F CF093-11P-L100L-04F	142 140	150
9.1	11	3152	1.00	158.42	21.7	25.3			
9.3	11	3069	1.00	154.24	22.4	25.5			
11	13	2709	1.15	136.18	24.8	26.0			
12	14	2429	1.25	122.08	26.3	26.4			
14	16	2121	1.45	106.60	27.7	26.9			
15	18	1954	1.55	98.21	28.4	27.1			
17	20	1725	1.75	86.68	29.2	27.5			
18	22	1585	1.90	79.66	29.6	27.7			
20	24	1447	2.10	72.72	30.0	27.9			
21	25	1362	2.25	68.48	30.2	28.0			
23	28	1219	2.50	61.28	30.6	28.2			
24	29	1189	2.55	59.78	30.6	28.2			
28	34	1019	2.95	51.22	31.0	28.5			
14	17	2025	0.80	101.80	16.7	18.4	CG083-11P-L100L-04F CF083-11P-L100L-04F	90 94	148
16	20	1755	0.90	88.23	19.0	18.9			
19	23	1482	1.05	74.50	20.7	19.5			
20	24	1429	1.10	71.84	21.0	19.6			
23	28	1221	1.30	61.37	22.0	20.0			
27	32	1078	1.45	54.18	22.6	20.3	CG082-11P-L100L-04F CF082-11P-L100L-04F	89 93	148
34	41	853	1.85	42.88	23.3	20.8			
38	46	745	2.10	37.44	23.6	21.0			
44	53	658	2.40	33.09	22.6	21.2			
46	56	621	1.80	31.23	22.3	21.0			
51	62	557	2.80	27.98	21.4	21.4			
58	70	492	2.30	24.72	20.5	21.3			
26	32	1087	0.80	54.63	7.2	12.1	CG073-11P-L100L-04F CF073-11P-L100L-04F	66 70	146
29	35	982	0.85	49.38	8.9	12.7			
30	37	947	0.90	47.62	9.3	12.8			
32	39	894	0.90	44.92	10.0	12.7			
33	40	862	0.95	43.32	10.3	12.8			
37	44	779	1.00	39.17	11.1	13.2			
40	49	709	1.05	35.63	11.6	13.2			
37	45	774	1.10	38.92	11.1	13.3	CG072-11P-L100L-04F CF072-11P-L100L-04F	65 69	146
41	49	704	1.20	35.41	11.7	13.2			
47	57	608	1.35	30.55	12.3	13.7			
52	63	553	1.50	27.79	12.6	13.7			
61	74	469	1.75	23.58	13.0	14.1			
67	81	427	1.85	21.45	13.2	14.1			
70	84	411	1.70	20.65	13.3	13.7			
74	89	388	2.00	19.50	13.4	14.3			
81	98	353	2.10	17.74	13.5	14.3			
87	105	330	2.20	16.59	13.6	14.5			
89	107	322	2.10	16.20	13.4	14.0			
95	115	300	2.35	15.09	13.6	14.5			
100	121	286	2.45	14.38	13.7	14.6			
110	133	260	2.60	13.08	13.3	14.6			
115	139	249	2.50	12.51	13.1	14.3			
119	143	242	2.75	12.14	12.9	14.7			
123	149	233	2.80	11.71	12.8	14.8			
130	158	220	2.90	11.04	12.5	14.7			
135	163	212	3.00	10.65	12.3	14.8			
139	168	206	2.85	10.34	12.3	14.5			



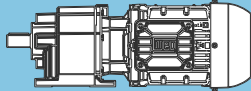
P _N = 3.0 kW								IE3	
50 Hz		60 Hz		i	at 50 Hz			m kg	Dimension sheet see page
3.0 kW		3.6 kW			F _{IN} kN	F _{aN} kN			
n ₅₀ min ⁻¹	n ₆₀ min ⁻¹	M ₂ Nm	f _b						
39	47	735	0.85	36.92	6.3	6.0	CG062-11P-L100L-04F CF062-11P-L100L-04F	49 54	144
43	51	674	0.90	33.86	7.3	6.1			
48	57	603	1.00	30.30	8.3	6.4			
52	63	553	1.10	27.78	8.8	6.5			
61	74	467	1.30	23.46	9.3	6.7			
67	81	428	1.45	21.51	9.1	6.8			
70	85	409	0.95	20.57	8.9	6.4			
81	98	355	1.70	17.85	8.7	7.1			
85	103	336	1.15	16.88	8.5	6.7			
88	106	326	1.85	16.36	8.5	7.1			
98	118	293	2.05	14.72	8.3	7.3			
107	129	268	2.25	13.49	8.1	7.3			
110	133	260	1.45	13.07	8.0	7.0			
119	144	240	2.50	12.07	7.9	7.4			
130	157	220	2.75	11.07	7.7	7.5			
140	170	204	2.95	10.26	7.6	7.5			
145	175	198	1.95	9.94	7.4	7.3			
176	212	163	2.35	8.20	7.0	7.4			
214	259	134	2.85	6.73	6.7	7.5			
54	65	533	0.80	26.79	**	5.6	CG052-11P-L100L-04F CF052-11P-L100L-04F	44 49	142
60	72	480	0.85	24.12	3.0	5.9			
66	79	436	0.95	21.92	4.2	6.1			
78	94	369	1.10	18.56	5.5	6.4			
81	97	355	0.80	17.86	5.7	6.1			
85	103	336	1.20	16.88	5.9	6.6			
99	119	291	0.95	14.62	6.0	6.4			
103	124	279	1.45	14.03	6.1	6.8			
113	136	254	1.60	12.75	6.0	6.9			
125	152	228	1.80	11.48	5.9	7.1			
128	155	224	1.20	11.25	5.8	6.8			
138	167	208	1.95	10.43	5.7	7.1			
155	187	185	2.10	9.31	5.6	7.3			
169	205	169	1.60	8.50	5.4	7.1			
170	206	168	2.20	8.46	5.5	7.3			
185	223	155	2.25	7.79	5.4	7.4			
203	246	141	2.35	7.08	5.2	7.5			
207	250	138	1.95	6.96	5.1	7.3			
228	276	126	2.45	6.31	5.1	7.5			
236	286	121	2.50	6.09	5.0	7.5			
251	303	114	2.55	5.74	4.9	7.6			
255	308	112	2.35	5.64	4.9	7.5			
260	314	110	2.60	5.54	4.9	7.6			
305	368	94	2.45	4.72	4.7	7.6			
376	455	76	2.65	3.83	4.4	7.7			
390	471	73	2.70	3.69	4.3	7.7			
111	135	257	0.80	12.92	3.0	3.0	CG032-11P-L100L-04F CF032-11P-L100L-04F	40 42	140
123	148	233	0.85	11.73	3.0	3.1			
147	177	195	0.95	9.82	2.9	3.4			
162	195	177	1.05	8.92	2.9	3.5			
189	228	152	1.15	7.64	2.9	3.7			
199	240	144	0.95	7.24	2.8	3.5			
208	251	138	1.25	6.94	2.8	3.7			
242	292	119	1.35	5.96	2.8	3.9			
262	316	109	1.20	5.50	2.7	3.8			
266	321	108	1.50	5.41	2.7	3.9			
337	407	85	1.55	4.28	2.5	4.0			
431	521	66	2.00	3.34	2.4	4.1			

Legend see page 29

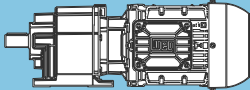
** ... on request

P _N = 4.0 kW								IE3				
50 Hz		60 Hz		i	at 50 Hz			m kg	Dimension sheet see page			
4.0 kW		4.8 kW			F _{rN} kN	F _{aN} kN						
n ₅₀ min ⁻¹	n ₆₀ min ⁻¹	M ₂ Nm	f _B									
1.5	1.8	22870	0.80	952.78	96.4	19.7	CG164-11P-112M-04E CF164-11P-112M-04E	711 734	168			
1.6	1.9	22313	0.85	931.50	98.7	20.2						
1.8	2.2	19361	0.95	811.56	109.2	22.9						
2.1	2.5	16573	1.10	698.99	117.1	25.4						
2.2	2.6	15864	1.15	670.48	118.9	26.1						
2.4	2.9	14218	1.30	604.60	122.5	27.6						
2.5	3.0	13916	1.30	591.77	123.1	27.9						
2.8	3.4	12081	1.50	517.99	126.5	29.5						
2.9	3.5	11626	1.55	499.49	127.3	29.9						
3.3	4.0	10155	1.80	440.86	129.5	31.3						
3.4	4.1	9829	1.85	427.56	130.0	31.6						
3.5	4.2	9596	1.90	418.32	130.3	31.8						
3.9	4.7	8396	2.15	369.82	131.7	32.9						
4.0	4.9	8146	2.25	360.30	132.0	33.1						
4.7	5.6	6944	2.60	311.64	133.2	34.2						
2.0	2.5	17062	0.80	710.80	84.9	10.4	CG144-11P-112M-04E CF144-11P-112M-04E	460 478	164			
2.1	2.5	16841	0.80	701.59	85.7	10.6						
2.3	2.8	15229	0.90	637.04	90.9	12.2						
2.4	2.9	14623	0.90	611.72	92.7	12.8						
2.6	3.2	13060	1.00	548.57	96.8	14.4						
2.8	3.3	12519	1.05	526.92	98.0	15.0						
3.2	3.9	10692	1.25	453.75	101.8	16.8						
3.3	4.0	10270	1.30	436.75	102.6	17.2						
3.4	4.2	9883	1.35	421.15	103.3	17.6						
3.7	4.5	9078	1.45	388.44	104.6	18.4						
3.8	4.5	9020	1.45	385.96	104.7	18.5						
3.9	4.8	8547	1.55	367.20	105.4	18.9						
4.0	4.9	8357	1.60	359.79	105.6	19.1						
4.3	5.2	7737	1.70	334.50	106.5	19.7						
4.4	5.4	7572	1.75	328.01	106.7	19.9						
4.6	5.5	7286	1.80	316.30	107.0	20.2	CG143-11P-112M-04E CF143-11P-112M-04E	436 454	162			
5.1	6.2	6440	2.05	282.46	108.0	21.0						
5.3	6.4	6197	2.10	272.37	108.3	21.3						
5.4	6.5	6135	2.15	270.22	108.3	21.4						
6.2	7.5	5207	2.50	232.69	109.2	22.3						
7.0	8.5	5450	2.40	206.88	109.0	22.0						
8.0	9.7	4752	2.75	180.38	109.6	22.7						
8.3	10	4582	2.85	173.94	109.7	22.9						
3.7	4.5	9387	0.90	392.69	57.3	18.8				CG134-11P-112M-04E CF134-11P-112M-04E	313 315	160
3.8	4.6	9132	0.90	382.01	58.4	19.1						
3.9	4.8	8788	0.95	368.37	59.8	19.5						
4.3	5.2	8078	1.00	339.29	62.5	20.3						
4.4	5.3	7879	1.05	331.61	63.2	20.5						
4.5	5.5	7582	1.10	319.76	64.2	20.8						
4.6	5.6	7462	1.10	314.70	64.5	21.0						
5.1	6.1	6765	1.20	286.51	66.6	21.8						
5.2	6.4	6510	1.25	276.28	67.3	22.1						
5.3	6.4	6437	1.25	273.18	67.5	22.1						
6.1	7.4	5505	1.50	236.02	69.7	23.2	CG133-11P-112M-04E CF133-11P-112M-04E	289 291	158			
7.1	8.6	5397	1.50	204.88	69.9	23.3						
8.0	9.7	4767	1.70	180.95	71.1	24.1						
9.2	11	4138	1.95	157.08	72.2	24.8						
9.6	12	3990	2.05	151.47	72.4	24.9						
11	13	3575	2.25	135.71	73.0	25.4						
12	15	3060	2.65	116.14	73.7	26.0						
14	17	2683	3.00	101.85	74.1	26.4	CG104-11P-112M-04E CF104-11P-112M-04E	199 203	156			
6.1	7.3	5742	0.80	239.20	27.4	19.9						
6.3	7.6	5525	0.85	230.65	29.1	20.2						

Legend see page 29

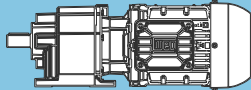
P _N = 4.0 kW								IE3	
50 Hz		60 Hz		i	at 50 Hz			m kg	Dimension sheet see page
4.0 kW		4.8 kW			F _{IN} kN	F _{aN} kN			
n ₅₀ min ⁻¹	n ₆₀ min ⁻¹	M ₂ Nm	f _b						
7.0	8.4	5488	0.85	208.33	29.4	20.2	CG103-11P-112M-04E CF103-11P-112M-04E	186 190	154
8.0	9.7	4751	0.95	180.35	34.2	21.2			
9.1	11	4208	1.10	159.72	36.9	21.8			
10	13	3640	1.25	138.17	39.3	22.6			
11	13	3510	1.30	133.24	39.7	22.7			
12	14	3214	1.40	122.02	40.7	23.1			
14	17	2718	1.70	103.15	42.2	23.7			
16	20	2352	1.95	89.30	43.0	24.2			
17	20	2274	2.00	86.31	43.2	24.3			
18	22	2083	2.20	79.08	43.4	24.6			
21	26	1802	2.50	68.41	40.9	24.9			
22	27	1738	2.60	65.97	40.3	25.0			
25	30	1533	2.95	58.21	38.4	25.3			
11	13	3588	0.85	136.18	17.7	24.7	CG093-11P-112M-04E CF093-11P-112M-04E	143 141	150
12	14	3216	0.95	122.08	21.2	25.2			
14	16	2808	1.10	106.60	24.2	25.9			
15	18	2587	1.20	98.21	25.5	26.2			
17	20	2284	1.35	86.68	27.0	26.6			
18	22	2099	1.45	79.66	27.8	26.9			
20	24	1916	1.60	72.72	28.5	27.2			
21	26	1804	1.70	68.48	28.9	27.3			
24	29	1614	1.90	61.28	29.5	27.6			
28	34	1349	2.25	51.22	30.3	28.0			
37	44	1043	2.85	39.60	29.7	28.5	CG092-11P-112M-04E CF092-11P-112M-04E	141 139	150
64	78	595	2.85	22.58	24.4	28.8			
19	24	1963	0.80	74.50	17.3	18.5	CG083-11P-112M-04E CF083-11P-112M-04E	91 95	148
20	24	1893	0.85	71.84	17.9	18.6			
24	29	1617	1.00	61.37	19.9	19.2			
27	32	1427	1.10	54.18	21.0	19.6	CG082-11P-112M-04E CF082-11P-112M-04E	90 94	148
34	41	1130	1.40	42.88	22.4	20.2			
39	47	986	1.60	37.44	22.9	20.5			
44	53	872	1.80	33.09	23.0	20.7			
46	56	823	1.40	31.23	22.7	20.5			
52	63	737	2.15	27.98	21.6	21.0			
59	71	651	1.75	24.72	20.7	20.9			
60	73	634	2.35	24.05	20.4	21.2			
67	81	569	2.35	21.58	19.7	21.1			
69	84	553	2.60	21.00	19.4	21.4			
76	92	503	2.60	19.08	18.8	21.3			
81	98	474	2.90	17.99	18.3	21.5			
84	101	457	2.95	17.35	18.1	21.6			
41	49	939	0.80	35.63	9.4	12.5	CG073-11P-112M-04E CF073-11P-112M-04E	67 71	146

Legend see page 29

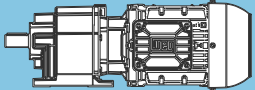
P _N = 4.0 kW								IE3	
50 Hz		60 Hz		i	at 50 Hz			m kg	Dimension sheet see page
4.0 kW		4.8 kW			F _{rN} kN	F _{aN} kN			
n ₅₀ min ⁻¹	n ₆₀ min ⁻¹	M ₂ Nm	f _B						
37	45	1025	0.80	38.92	8.2	12.6	CG072-11P-112M-04E CF072-11P-112M-04E	66 70	146
41	50	933	0.90	35.41	9.5	12.5			
47	57	805	1.05	30.55	10.8	13.2			
52	63	732	1.15	27.79	11.3	13.2			
62	74	621	1.30	23.58	11.9	13.7			
68	82	565	1.40	21.45	12.0	13.7			
70	85	544	1.30	20.65	11.2	13.1			
74	90	514	1.50	19.50	12.3	14.0			
82	99	467	1.60	17.74	12.2	14.0			
87	106	437	1.65	16.59	12.4	14.2			
89	108	427	1.60	16.20	11.6	13.6			
96	116	398	1.80	15.09	12.3	14.2			
101	122	379	1.85	14.38	12.3	14.4			
111	134	345	1.95	13.08	12.2	14.3			
116	140	329	1.90	12.51	11.7	14.0			
119	145	320	2.05	12.14	12.3	14.5			
124	150	308	2.10	11.71	12.2	14.5			
131	159	291	2.20	11.04	12.1	14.5			
136	165	281	2.25	10.65	12.1	14.5			
140	170	272	2.15	10.34	11.6	14.2			
145	176	263	2.35	10.00	12.0	14.7			
159	193	240	2.55	9.10	11.8	14.7			
165	199	232	2.40	8.80	11.4	14.4			
190	230	201	2.65	7.63	11.1	14.5			
225	273	170	2.95	6.44	10.4	14.7			
48	58	798	0.80	30.30	4.9	5.8	CG062-11P-112M-04E CF062-11P-112M-04E	50 55	144
52	63	732	0.85	27.78	6.4	6.0			
62	75	618	1.00	23.46	8.1	6.3			
67	82	567	1.10	21.51	8.6	6.4			
81	98	470	1.30	17.85	8.3	6.7			
86	104	445	0.85	16.88	8.0	6.2			
89	107	431	1.40	16.36	8.1	6.8			
99	119	388	1.55	14.72	7.9	7.0			
107	130	355	1.70	13.49	7.8	7.1			
111	134	344	1.10	13.07	7.6	6.7			
120	145	318	1.90	12.07	7.6	7.2			
131	159	292	2.10	11.07	7.4	7.2			
141	171	270	2.25	10.26	7.3	7.3			
146	177	262	1.45	9.94	7.2	7.0			
154	187	248	2.40	9.40	7.1	7.4			
172	208	222	2.50	8.43	7.0	7.5			
177	214	216	1.75	8.20	6.8	7.2			
178	216	214	2.50	8.13	6.9	7.5			
188	227	204	2.55	7.73	6.8	7.5			
194	235	196	2.60	7.46	6.7	7.5			
216	261	177	2.15	6.73	6.5	7.4			
217	262	176	2.70	6.69	6.5	7.6			
236	286	162	2.75	6.13	6.4	7.6			
254	307	151	2.50	5.71	6.2	7.5			
309	374	124	2.65	4.70	5.9	7.6			
320	387	119	2.70	4.53	5.8	7.6			
389	471	98	2.85	3.73	5.5	7.7			

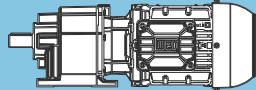
C

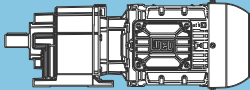
Legend see page 29

P _N = 4.0 kW								IE3	
50 Hz	60 Hz				at 50 Hz			m kg	Dimension sheet see page
4.0 kW	4.8 kW								
n ₅₀ min ⁻¹	n ₆₀ min ⁻¹	M ₂ Nm	f _b	i	F _{iN} kN	F _{aN} kN			
78	95	489	0.85	18.56	2.7	5.9	<p>CG052-11P-112M-04E CF052-11P-112M-04E</p>	<p>45 50</p>	<p>142</p>
86	104	445	0.90	16.88	4.0	6.0			
103	125	369	1.10	14.03	5.5	6.4			
114	138	336	1.20	12.75	5.6	6.6			
126	153	302	1.35	11.48	5.5	6.7			
129	156	296	0.95	11.25	5.4	6.4			
139	168	275	1.50	10.43	5.4	6.8			
156	189	245	1.60	9.31	5.3	7.0			
171	206	224	1.20	8.50	5.1	6.8			
171	207	223	1.65	8.46	5.2	7.1			
186	225	205	1.70	7.79	5.1	7.2			
205	248	187	1.80	7.08	5.0	7.2			
208	252	183	1.50	6.96	4.9	7.0			
230	278	166	1.85	6.31	4.9	7.3			
238	288	160	1.90	6.09	4.8	7.4			
253	306	151	1.95	5.74	4.8	7.4			
257	311	149	1.75	5.64	4.7	7.2			
262	317	146	1.95	5.54	4.7	7.4			
307	372	124	1.85	4.72	4.5	7.4			
379	459	101	2.00	3.83	4.3	7.5			
393	476	97	2.05	3.69	4.2	7.5			

Legend see page 29

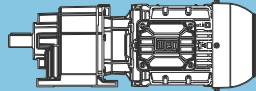
P _N = 5.5 kW								IE3	
50 Hz		60 Hz		i	at 50 Hz			m kg	Dimension sheet see page
5.5 kW		6.6 kW			F _{rN} kN	F _{aN} kN			
n ₅₀ min ⁻¹	n ₆₀ min ⁻¹	M ₂ Nm	f _B						
2.1	2.5	22834	0.80	698.99	96.5	19.8	CG164-11P-132S-04E CF164-11P-132S-04E	729 752	168
2.2	2.6	21858	0.85	670.48	100.5	20.6			
2.4	2.9	19629	0.95	604.60	108.4	22.7			
2.5	3.0	19213	0.95	591.77	109.7	23.0			
2.8	3.4	16714	1.10	517.99	116.8	25.3			
2.9	3.5	16446	1.10	509.69	117.4	25.6			
3.0	3.6	15985	1.15	496.41	118.6	26.0			
3.3	4.0	14109	1.30	440.86	122.7	27.7			
3.4	4.1	13655	1.35	427.56	123.6	28.1			
3.5	4.2	13360	1.35	418.32	124.2	28.4			
4.0	4.8	11714	1.55	369.82	127.1	29.9			
4.1	4.9	11389	1.60	360.30	127.7	30.2			
4.7	5.7	9750	1.85	311.64	130.1	31.6			
2.8	3.3	17213	0.80	526.92	84.4	10.2	CG144-11P-132S-04E CF144-11P-132S-04E	478 496	164
3.2	3.9	14762	0.90	453.75	92.3	12.7			
3.3	3.9	14581	0.90	448.20	92.8	12.9			
3.4	4.0	14180	0.95	436.75	93.9	13.3			
3.5	4.2	13645	1.00	421.15	95.3	13.8			
3.8	4.5	12560	1.05	388.44	97.9	14.9			
4.0	4.8	11849	1.10	367.20	99.5	15.6			
4.1	4.9	11586	1.15	359.79	100.1	15.9			
4.4	5.3	10727	1.25	334.50	101.8	16.7			
4.5	5.4	10519	1.25	328.01	102.1	17.0			
4.6	5.6	10123	1.30	316.30	102.9	17.4			
4.7	5.6	10040	1.30	313.70	103.0	17.4			
5.2	6.2	8984	1.45	282.46	104.7	18.5			
5.4	6.5	8628	1.55	272.37	105.3	18.9			
6.3	7.6	7295	1.80	232.69	107.0	20.2			
7.1	8.5	7417	1.80	206.88	106.9	20.1	CG143-11P-132S-04E CF143-11P-132S-04E	454 472	162
8.1	9.8	6467	2.05	180.38	108.0	21.0			
8.4	10	6236	2.10	173.94	108.2	21.2			
9.4	11	5571	2.35	155.38	108.9	21.9			
11	13	4797	2.75	133.80	109.5	22.7	CG134-11P-132S-04E CF134-11P-132S-04E	331 333	160
4.6	5.5	10446	0.80	319.76	52.1	17.6			
4.7	5.6	10280	0.80	314.70	53.0	17.8			
5.1	6.2	9321	0.90	286.51	57.6	18.9			
5.3	6.4	8988	0.90	276.28	59.0	19.2			
5.4	6.5	8869	0.95	273.18	59.5	19.4			
6.2	7.5	7632	1.05	236.02	64.0	20.8			
7.2	8.6	7345	1.10	204.88	64.9	21.1	CG133-11P-132S-04E CF133-11P-132S-04E	307 309	158
8.1	9.8	6488	1.25	180.95	67.3	22.1			
9.3	11	5632	1.45	157.08	69.4	23.1			
9.7	12	5431	1.50	151.47	69.8	23.3			
11	13	4866	1.65	135.71	71.0	23.9			
13	15	4164	1.95	116.14	72.2	24.7			
14	17	3652	2.20	101.85	72.9	25.3			
15	18	3596	2.25	100.31	73.0	25.4			
16	20	3225	2.50	89.96	73.5	25.8			
19	23	2800	2.90	78.09	73.9	26.3	CG103-11P-132S-04E CF103-11P-132S-04E	204 208	154
9.2	11	5727	0.80	159.72	27.5	19.9			
11	13	4777	0.95	133.24	34.0	21.1			
11	13	4954	0.95	138.17	33.0	20.9			
12	14	4375	1.05	122.02	36.1	21.6			
12	15	4215	1.10	117.56	36.9	21.8			
14	17	3698	1.25	103.15	39.1	22.5			
15	18	3587	1.30	100.05	39.5	22.6			
16	20	3202	1.45	89.30	40.8	23.1			
17	20	3094	1.50	86.31	41.1	23.3			
19	22	2835	1.60	79.08	41.9	23.6			
21	26	2453	1.85	68.41	41.9	24.1			
22	27	2365	1.95	65.97	41.2	24.2			
25	30	2087	2.20	58.21	39.2	24.5			
30	36	1776	2.55	49.54	36.6	24.9			
34	41	1532	2.95	42.74	34.9	25.3			

P _N = 5.5 kW								IE3	
50 Hz		60 Hz		i	at 50 Hz			m kg	Dimension sheet see page
5.5 kW		6.6 kW			F _{IN} kN	F _{aN} kN			
n ₅₀ min ⁻¹	n ₆₀ min ⁻¹	M ₂ Nm	f _b						
14	17	3822	0.80	106.60	14.8	24.4	CG093-11P-132S-04E CF093-11P-132S-04E	162 160	150
15	18	3521	0.90	98.21	18.4	24.8			
16	19	3378	0.90	94.21	19.8	25.0			
17	20	3108	1.00	86.68	22.1	25.4			
18	22	2856	1.10	79.66	23.9	25.8			
20	24	2607	1.20	72.72	25.4	26.1			
21	26	2455	1.25	68.48	26.2	26.4			
24	29	2197	1.40	61.28	27.4	26.8			
25	30	2143	1.40	59.78	27.7	26.8			
29	34	1836	1.65	51.22	28.8	27.3			
30	36	1771	1.70	49.39	29.1	27.4			
34	40	1563	1.85	43.59	29.7	27.7			
40	48	1311	2.05	36.57	29.5	28.1			
48	57	1105	2.30	30.81	27.5	28.4			
37	45	1420	2.10	39.60	30.1	27.9	CG092-11P-132S-04E CF092-11P-132S-04E	160 158	150
44	53	1200	2.50	33.48	28.4	28.2			
51	61	1039	2.90	28.98	26.9	28.5			
65	78	810	2.10	22.58	24.7	28.4			
77	92	684	2.50	19.09	23.2	28.6			
89	107	593	2.90	16.53	22.0	28.8			
27	33	1942	0.80	54.18	17.5	18.5	CG082-11P-132S-04E CF082-11P-132S-04E	108 112	148
34	41	1537	1.05	42.88	20.4	19.4			
39	47	1342	1.20	37.44	21.4	19.8			
44	53	1186	1.35	33.09	22.2	20.1			
47	57	1120	1.00	31.23	22.4	19.7			
52	63	1003	1.55	27.98	22.1	20.5			
59	71	886	1.30	24.72	21.2	20.3			
61	73	862	1.75	24.05	20.8	20.7			
68	82	774	1.75	21.58	20.1	20.6			
70	84	753	1.90	21.00	19.7	21.0			
77	93	684	1.95	19.08	19.1	20.8			
81	98	645	2.10	17.99	18.6	21.2			
84	102	622	2.20	17.35	18.4	21.2			
91	109	578	2.25	16.13	18.0	21.1			
96	115	549	2.35	15.31	17.5	21.4			
106	127	497	2.50	13.87	17.0	21.3			
114	137	460	2.65	12.84	16.4	21.6			
121	146	434	2.75	12.10	16.1	21.4			
135	163	388	3.00	10.82	15.4	21.7			
53	64	996	0.85	27.79	7.1	12.4	CG072-11P-132S-04E CF072-11P-132S-04E	84 88	146
62	75	845	0.95	23.58	8.5	13.1			
68	82	769	1.05	21.45	8.8	13.0			
71	85	740	0.95	20.65	7.8	12.3			
75	91	699	1.10	19.50	9.4	13.5			
83	99	636	1.20	17.74	9.5	13.5			
88	106	595	1.25	16.59	9.9	13.8			
90	109	581	1.20	16.20	9.0	12.9			
97	117	541	1.30	15.09	10.0	13.7			
102	123	515	1.35	14.38	10.2	14.0			
112	135	469	1.45	13.08	10.3	14.0			
117	141	448	1.40	12.51	9.6	13.5			
121	145	435	1.55	12.14	10.4	14.2			
125	151	420	1.55	11.71	10.5	14.2			
133	160	396	1.65	11.04	10.4	14.2			
138	166	382	1.70	10.65	10.4	14.2			
142	171	371	1.60	10.34	9.9	13.8			
147	177	359	1.75	10.00	10.5	14.4			
161	194	326	1.85	9.10	10.5	14.4			
167	201	315	1.75	8.80	10.0	14.1			
192	231	273	1.95	7.63	10.0	14.2			
228	274	231	2.20	6.44	9.9	14.4			
236	284	223	2.25	6.21	9.9	14.5			
276	333	190	2.50	5.30	9.7	14.6			

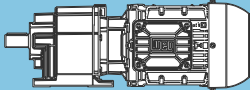
P _N = 5.5 kW								IE3	
50 Hz	60 Hz	M ₂ Nm	f _B	i	at 50 Hz			m kg	Dimension sheet see page
5.5 kW	6.6 kW				F _{rN} kN	F _{aN} kN			
n ₅₀ min ⁻¹	n ₆₀ min ⁻¹								
68	82	771	0.80	21.51	5.6	5.8	CG062-11P-132S-04E CF062-11P-132S-04E	69 74	144
82	99	640	0.95	17.85	7.7	6.2			
90	108	587	1.05	16.36	7.5	6.4			
100	120	528	1.15	14.72	7.4	6.6			
109	131	484	1.25	13.49	7.3	6.7			
112	135	469	0.85	13.07	7.1	6.1			
121	146	433	1.40	12.07	7.2	6.8			
132	159	397	1.55	11.07	7.1	6.9			
143	172	368	1.65	10.26	6.9	7.0			
147	178	356	1.10	9.94	6.8	6.6			
156	188	337	1.75	9.40	6.8	7.1			
174	209	302	1.85	8.43	6.7	7.2			
179	215	294	1.30	8.20	6.5	6.9			
180	217	292	1.85	8.13	6.6	7.3			
189	228	277	1.90	7.73	6.5	7.3			
196	237	267	1.90	7.46	6.5	7.3			
218	262	241	1.60	6.73	6.2	7.1			
219	264	240	2.00	6.69	6.3	7.4			
239	288	220	2.05	6.13	6.2	7.5			
256	309	205	1.85	5.71	6.0	7.2			
312	376	168	1.95	4.70	5.7	7.4			
323	390	162	2.00	4.53	5.6	7.4			
393	474	134	2.10	3.73	5.4	7.5			
104	126	503	0.80	14.03	2.1	5.8	CG052-11P-132S-04E CF052-11P-132S-04E	63 68	142
115	138	457	0.90	12.75	3.7	6.0			
128	154	412	1.00	11.48	4.8	6.2			
140	169	374	1.10	10.43	5.0	6.4			
157	190	334	1.20	9.31	4.9	6.6			
172	208	305	0.90	8.50	4.7	6.3			
173	209	303	1.25	8.46	4.8	6.7			
188	227	279	1.25	7.79	4.8	6.8			
207	249	254	1.30	7.08	4.7	6.9			
211	254	249	1.10	6.96	4.6	6.7			
232	280	226	1.40	6.31	4.6	7.1			
241	290	218	1.40	6.09	4.6	7.1			
255	307	206	1.45	5.74	4.5	7.2			
260	313	202	1.30	5.64	4.4	6.9			
265	319	198	1.45	5.54	4.5	7.2			
310	374	169	1.40	4.72	4.3	7.1			
383	461	137	1.50	3.83	4.1	7.3			
397	478	132	1.50	3.69	4.0	7.3			



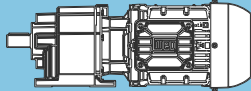
Legend see page 29

P _N = 7.5 kW								IE3	
50 Hz		60 Hz		i	at 50 Hz			m kg	Dimension sheet see page
7.5 kW		9.0 kW			F _{IN} kN	F _{aN} kN			
n ₅₀ min ⁻¹	n ₆₀ min ⁻¹	M ₂ Nm	f _b						
2.8	3.4	23074	0.80	517.99	95.5	19.5	CG164-11P-L132M-04F CF164-11P-L132M-04F	743 766	168
2.9	3.5	22704	0.80	509.69	97.1	19.9			
3.0	3.6	22068	0.85	496.41	99.6	20.4			
3.3	4.0	19518	0.95	440.86	108.7	22.8			
3.4	4.1	18890	1.00	427.56	110.7	23.3			
3.5	4.2	18482	1.00	418.32	111.9	23.7			
4.0	4.8	16239	1.15	369.82	117.9	25.7			
4.1	4.9	15821	1.15	360.30	119.0	26.1			
4.7	5.7	13572	1.35	311.64	123.8	28.2			
3.8	4.6	17193	0.80	385.96	84.5	10.3	CG144-11P-L132M-04F CF144-11P-L132M-04F	492 510	164
4.0	4.8	16357	0.80	367.20	87.4	11.1			
4.1	4.9	15994	0.85	359.79	88.6	11.5			
4.4	5.3	14839	0.90	334.50	92.1	12.6			
4.5	5.4	14552	0.90	328.01	92.9	12.9			
4.6	5.6	14003	0.95	316.30	94.4	13.5			
4.7	5.6	13889	0.95	313.70	94.7	13.6			
5.2	6.3	12454	1.05	282.46	98.2	15.0			
5.4	6.5	11985	1.10	272.37	99.2	15.5			
6.3	7.6	10155	1.30	232.69	102.8	17.3			
7.1	8.6	10115	1.30	206.88	102.9	17.4	CG143-11P-L132M-04F CF143-11P-L132M-04F	468 486	162
8.1	9.8	8819	1.50	180.38	105.0	18.7			
8.4	10	8504	1.55	173.94	105.4	19.0			
9.4	11	7596	1.75	155.38	106.7	19.9			
11	13	6541	2.00	133.80	107.9	20.9			
13	15	5714	2.30	116.88	108.7	21.8			
15	18	4828	2.70	98.76	109.5	22.7			
6.2	7.5	10514	0.80	236.02	51.7	17.5	CG134-11P-L132M-04F CF134-11P-L132M-04F	345 347	160
7.2	8.6	10017	0.80	204.88	54.3	18.1	CG133-11P-L132M-04F CF133-11P-L132M-04F	321 323	158
8.1	9.8	8847	0.95	180.95	59.6	19.4			
9.3	11	7680	1.05	157.08	63.8	20.7			
9.7	12	7405	1.10	151.47	64.7	21.0			
11	13	6635	1.25	135.71	66.9	21.9			
13	15	5678	1.45	116.14	69.3	23.0			
14	17	4980	1.65	101.85	70.7	23.8			
15	18	4904	1.65	100.31	70.9	23.9			
16	20	4398	1.85	89.96	71.8	24.5			
19	23	3818	2.10	78.09	72.7	25.1			
19	24	3682	2.20	75.30	72.9	25.3			
22	26	3299	2.45	67.47	73.4	25.7			
25	31	2823	2.85	57.74	73.9	26.3			
49	59	1460	2.50	29.86	75.0	27.8	CG132-11P-L132M-04F CF132-11P-L132M-04F	312 314	158
86	104	831	2.50	17.00	75.2	28.3			
12	15	5965	0.80	122.02	25.4	19.6	CG103-11P-L132M-04F CF103-11P-L132M-04F	218 222	154
14	17	5043	0.90	103.15	32.5	20.8			
15	18	4891	0.95	100.05	33.4	21.0			
16	20	4366	1.05	89.30	36.2	21.6			
17	21	4220	1.10	86.31	36.9	21.8			
19	22	3867	1.20	79.08	38.4	22.3			
21	26	3345	1.35	68.41	40.3	22.9			
22	27	3225	1.40	65.97	40.7	23.1			
25	30	2846	1.60	58.21	40.3	23.6			
30	36	2422	1.90	49.54	37.6	24.1			
34	41	2089	2.20	42.74	35.7	24.5			
44	54	1614	2.30	33.01	32.3	25.1			
60	73	1193	2.50	24.40	28.7	25.7			
76	92	937	2.30	19.17	26.5	25.6			
103	125	693	2.50	14.17	23.7	26.0			

Legend see page 29

P _N = 7.5 kW								IE3	
50 Hz		60 Hz		i	at 50 Hz			m kg	Dimension sheet see page
7.5 kW		9.0 kW			F _{rN} kN	F _{aN} kN			
n ₅₀ min ⁻¹	n ₆₀ min ⁻¹	M ₂ Nm	f _B						
18	22	3895	0.80	79.66	13.7	24.2	CG093-11P-L132M-04F CF093-11P-L132M-04F	176 174	150
20	24	3555	0.85	72.72	18.0	24.7			
21	26	3348	0.90	68.48	20.1	25.1			
24	29	2996	1.05	61.28	22.9	25.6			
25	30	2923	1.05	59.78	23.4	25.7			
29	35	2504	1.20	51.22	25.9	26.3			
30	36	2415	1.25	49.39	26.4	26.4			
34	41	2131	1.35	43.59	27.7	26.9			
40	48	1788	1.50	36.57	29.0	27.4			
48	57	1507	1.70	30.81	28.2	27.8			
37	45	1936	1.55	39.60	28.5	27.1	CG092-11P-L132M-04F CF092-11P-L132M-04F	174 172	150
44	53	1637	1.85	33.48	29.2	27.6			
51	61	1417	2.15	28.98	27.6	27.9			
57	69	1255	2.40	25.67	26.4	28.1			
65	78	1104	1.55	22.58	25.3	27.8			
66	80	1086	2.80	22.20	24.9	28.4			
68	83	1047	2.50	21.41	24.6	28.5			
77	93	933	1.85	19.09	23.7	28.1			
89	107	808	2.15	16.53	22.4	28.4			
100	121	716	2.55	14.64	21.4	28.6			
116	140	619	2.95	12.66	20.3	28.8			
120	145	597	2.50	12.21	20.0	28.8			
39	47	1830	0.85	37.44	18.4	18.8	CG082-11P-L132M-04F CF082-11P-L132M-04F	122 126	148
44	53	1618	1.00	33.09	19.9	19.2			
52	63	1368	1.15	27.98	21.3	19.7			
59	72	1209	0.95	24.72	21.9	19.5			
61	74	1176	1.30	24.05	21.4	20.1			
68	82	1055	1.25	21.58	20.7	19.9			
70	84	1027	1.40	21.00	20.2	20.4			
77	93	933	1.45	19.08	19.7	20.2			
81	98	880	1.55	17.99	19.1	20.7			
84	102	848	1.60	17.35	18.8	20.8			
91	110	789	1.65	16.13	18.4	20.5			
96	116	749	1.75	15.31	17.9	21.0			
106	128	678	1.85	13.87	17.3	20.8			
114	138	628	1.95	12.84	16.7	21.2			
121	146	592	2.00	12.10	16.5	21.0			
135	164	529	2.20	10.82	15.7	21.4			
141	171	507	2.25	10.37	15.5	21.2			
147	177	489	2.30	10.00	15.3	21.3			
166	201	432	2.45	8.83	14.6	21.4			
198	239	362	2.80	7.40	13.7	21.6			
75	91	953	0.80	19.50	5.5	12.8	CG072-11P-L132M-04F CF072-11P-L132M-04F	98 102	146
83	100	867	0.85	17.74	6.0	12.7			
88	107	811	0.90	16.59	6.6	13.2			
90	109	792	0.85	16.20	5.4	12.0			
97	117	738	0.95	15.09	7.0	13.1			
102	123	703	1.00	14.38	7.4	13.5			
112	135	639	1.05	13.08	7.7	13.4			
117	142	611	1.05	12.51	6.9	12.8			
121	146	593	1.15	12.14	8.0	13.8			
125	151	572	1.15	11.71	8.2	13.8			
133	160	540	1.20	11.04	8.2	13.7			
138	166	521	1.25	10.65	8.3	13.8			
142	171	506	1.20	10.34	7.6	13.3			
147	177	489	1.30	10.00	8.5	14.0			
161	195	445	1.35	9.10	8.7	14.0			
167	201	430	1.30	8.80	8.0	13.6			
192	232	373	1.45	7.63	8.3	13.8			
228	275	315	1.60	6.44	8.5	14.1			
236	285	304	1.65	6.21	8.5	14.1			
276	334	259	1.85	5.30	8.5	14.3			

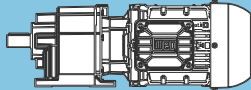
Legend see page 29

P _N = 7.5 kW								IE3	
50 Hz	60 Hz				at 50 Hz			m kg	Dimension sheet see page
7.5 kW	9.0 kW	M ₂ Nm	f _B	i	F _{IN}	F _{aN}			
n ₅₀ min ⁻¹	n ₆₀ min ⁻¹				kN	kN			
100	120	719	0.85	14.72	6.6	6.0	CG062-11P-L132M-04F CF062-11P-L132M-04F	82 87	144
109	131	660	0.95	13.49	6.7	6.2			
121	147	590	1.05	12.07	6.7	6.4			
132	160	541	1.15	11.07	6.6	6.5			
143	173	501	1.20	10.26	6.5	6.6			
147	178	486	0.80	9.94	6.3	6.1			
156	188	460	1.30	9.40	6.4	6.8			
174	210	412	1.35	8.43	6.3	6.9			
179	216	401	0.95	8.20	6.1	6.4			
180	218	398	1.35	8.13	6.2	6.9			
189	229	378	1.40	7.73	6.2	7.0			
196	237	365	1.40	7.46	6.1	7.0			
218	263	329	1.15	6.73	5.9	6.7			
219	265	327	1.45	6.69	6.0	7.2			
239	289	300	1.50	6.13	5.9	7.2			
256	310	279	1.35	5.71	5.7	6.9			
312	377	230	1.45	4.70	5.5	7.1			
323	391	222	1.45	4.53	5.4	7.2			
393	475	182	1.55	3.73	5.2	7.3			
140	170	510	0.80	10.43	1.6	5.7			
157	190	455	0.85	9.31	3.8	6.0			
173	209	414	0.90	8.46	4.3	6.2			
188	227	381	0.95	7.79	4.3	6.4			
207	250	346	0.95	7.08	4.3	6.5			
211	254	340	0.80	6.96	4.2	6.1			
232	280	309	1.00	6.31	4.3	6.7			
241	291	298	1.05	6.09	4.2	6.7			
255	308	281	1.05	5.74	4.2	6.8			
260	314	276	0.95	5.64	4.1	6.5			
265	320	271	1.05	5.54	4.2	6.9			
310	375	231	1.00	4.72	4.0	6.8			
383	462	187	1.10	3.83	3.8	7.0			
397	480	180	1.10	3.69	3.8	7.1			

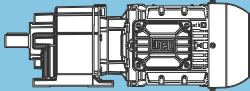
Legend see page 29

$P_N = 9.2 \text{ kW}$								IE3	
50 Hz		60 Hz		i	at 50 Hz			m kg	Dimension sheet see page
9.2 kW		11 kW			F _{rN} kN	F _{aN} kN			
n ₅₀ min ⁻¹	n ₆₀ min ⁻¹	M ₂ Nm	f _B						
3.4	4.1	23443	0.80	427.56	93.9	19.2	CG164-11P-L132M-04G CF164-11P-L132M-04G	748 771	168
3.5	4.2	22936	0.80	418.32	96.1	19.7			
3.9	4.8	20194	0.90	369.82	106.5	22.2			
4.1	4.9	19634	0.95	360.30	108.3	22.7			
4.7	5.7	16878	1.10	311.64	116.3	25.2			
4.7	5.6	17200	0.80	313.70	84.4	10.3	CG144-11P-L132M-04G CF144-11P-L132M-04G	497 515	164
5.2	6.2	15456	0.85	282.46	90.3	12.0			
5.4	6.5	14873	0.90	272.37	92.0	12.6			
6.3	7.6	12628	1.05	232.69	97.8	14.8			
7.1	8.5	12450	1.05	206.88	98.2	15.0	CG143-11P-L132M-04G CF143-11P-L132M-04G	473 491	162
8.1	9.8	10855	1.20	180.38	101.5	16.6			
8.4	10	10467	1.25	173.94	102.2	17.0			
9.4	11	9350	1.40	155.38	104.2	18.1			
11	13	8052	1.65	133.80	106.1	19.4			
12	15	7033	1.85	116.88	107.4	20.5			
13	16	6816	1.95	113.27	107.6	20.7			
15	18	5943	2.20	98.76	108.5	21.5			
17	21	5119	2.55	85.07	109.3	22.4			
20	24	4408	2.95	73.25	109.8	23.1			
9.3	11	9453	0.85	157.08	57.0	18.7	CG133-11P-L132M-04G CF133-11P-L132M-04G	326 328	158
9.6	12	9115	0.90	151.47	58.5	19.1			
11	13	8167	1.00	135.71	62.2	20.2			
13	15	6989	1.15	116.14	66.0	21.5			
14	17	6129	1.35	101.85	68.2	22.5			
15	18	6036	1.35	100.31	68.5	22.6			
16	20	5414	1.50	89.96	69.9	23.3			
19	23	4699	1.75	78.09	71.3	24.1			
22	26	4060	2.00	67.47	72.3	24.9			
25	31	3475	2.35	57.74	73.2	25.5			
29	35	3001	2.70	49.87	73.7	26.1			
41	50	2137	2.50	35.51	74.5	27.1	CG132-11P-L132M-04G CF132-11P-L132M-04G	317 319	154
49	59	1797	2.00	29.86	74.8	27.4			
72	87	1217	2.50	20.22	75.1	27.8			
86	104	1023	2.00	17.00	75.2	28.1			
16	20	5374	0.85	89.30	30.3	20.4	CG103-11P-L132M-04G CF103-11P-L132M-04G	223 227	154
17	20	5194	0.90	86.31	31.5	20.6			
18	22	4759	0.95	79.08	34.1	21.1			
21	26	4117	1.10	68.41	37.3	22.0			
22	27	3970	1.15	65.97	38.0	22.2			
25	30	3503	1.30	58.21	39.8	22.7			
29	36	2981	1.55	49.54	38.8	23.4			
34	41	2572	1.75	42.74	36.4	23.9			
44	53	1986	1.90	33.01	32.8	24.7	CG102-11P-L132M-04G CF102-11P-L132M-04G	218 222	154
50	61	1755	2.60	29.16	31.3	25.0			
58	70	1523	3.00	25.31	29.5	25.3			
60	72	1469	2.00	24.40	29.1	25.3			
76	92	1153	1.90	19.17	26.8	25.2			
86	104	1019	2.65	16.93	25.6	25.4			
103	125	853	2.00	14.17	23.9	25.7			
24	29	3688	0.85	61.28	16.5	24.6	CG093-11P-L132M-04G CF093-11P-L132M-04G	181 179	150
29	34	3082	1.00	51.22	22.3	25.4			
30	36	2972	1.05	49.39	23.1	25.6			
33	40	2623	1.10	43.59	25.3	26.1			
40	48	2200	1.25	36.57	27.4	26.7			
47	57	1854	1.40	30.81	28.8	27.3			

Legend see page 29

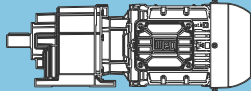
P _N = 9.2 kW								IE3	
50 Hz	60 Hz				at 50 Hz			m kg	Dimension sheet see page
9.2 kW	11 kW								
n ₅₀ min ⁻¹	n ₆₀ min ⁻¹	M ₂ Nm	f _b	i	F _{IN} kN	F _{aIN} kN			
37	45	2383	1.25	39.60	26.6	26.5	CG092-11P-L132M-04G CF092-11P-L132M-04G	179 177	150
44	53	2015	1.50	33.48	28.2	27.0			
50	61	1744	1.75	28.98	28.3	27.4			
57	69	1545	1.95	25.67	26.9	27.7			
65	78	1359	1.25	22.58	25.8	27.3			
66	79	1336	2.25	22.20	25.3	28.0			
68	82	1288	2.00	21.41	25.0	28.1			
76	92	1149	1.50	19.09	24.2	27.7			
77	93	1137	2.65	18.89	23.8	28.3			
88	107	995	1.75	16.53	22.8	28.0			
100	121	881	2.10	14.64	21.7	28.2			
115	139	762	2.40	12.66	20.6	28.5			
120	145	735	2.00	12.21	20.3	28.5			
136	164	648	2.85	10.77	19.3	28.7			
44	53	1991	0.80	33.09	17.0	18.4	CG082-11P-L132M-04G CF082-11P-L132M-04G	127 131	148
52	63	1684	0.95	27.98	19.5	19.1			
59	71	1488	0.80	24.72	20.7	18.8			
61	73	1447	1.05	24.05	20.9	19.5			
68	82	1299	1.05	21.58	21.2	19.3			
70	84	1264	1.15	21.00	20.7	19.9			
77	93	1148	1.15	19.08	20.1	19.7			
81	98	1083	1.25	17.99	19.5	20.3			
84	102	1044	1.30	17.35	19.2	20.4			
91	109	971	1.35	16.13	18.8	20.1			
95	115	921	1.40	15.31	18.3	20.6			
105	127	834	1.50	13.87	17.7	20.4			
114	137	773	1.60	12.84	17.0	20.9			
121	146	728	1.65	12.10	16.8	20.7			
135	163	651	1.80	10.82	15.9	21.2			
141	170	624	1.80	10.37	15.8	21.0			
146	177	602	1.85	10.00	15.6	21.0			
165	200	531	2.00	8.83	14.8	21.2			
197	238	446	2.25	7.40	13.9	21.4			
234	283	375	2.55	6.24	13.0	21.6			
97	117	908	0.80	15.09	4.4	12.6	CG072-11P-L132M-04G CF072-11P-L132M-04G	103 107	146
102	123	865	0.80	14.38	4.9	13.0			
112	135	787	0.90	13.08	5.4	13.0			
117	141	753	0.85	12.51	4.5	12.2			
120	145	730	0.90	12.14	6.0	13.4			
125	151	704	0.95	11.71	6.2	13.5			
132	160	665	1.00	11.04	6.3	13.4			
137	166	641	1.00	10.65	6.5	13.4			
141	171	622	0.95	10.34	5.7	12.8			
146	177	602	1.05	10.00	6.9	13.7			
160	194	547	1.10	9.10	7.1	13.7			
166	201	529	1.05	8.80	6.4	13.2			
191	231	459	1.20	7.63	6.9	13.5			
227	274	387	1.30	6.44	7.2	13.8			
235	284	374	1.35	6.21	7.3	13.8			
275	333	319	1.50	5.30	7.5	14.0			

Legend see page 29

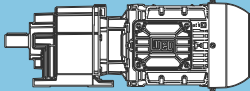
P_N = 9.2 kW							IE3		
50 Hz 9.2 kW n ₅₀ min ⁻¹	60 Hz 11 kW n ₆₀ min ⁻¹	M ₂ Nm	f _B	i	at 50 Hz			m kg	Dimension sheet see page
					F _{rN} kN	F _{aN} kN			
121	146	726	0.85	12.07	6.2	6.0	CG062-11P-L132M-04G CF062-11P-L132M-04G	87 92	144
132	159	666	0.95	11.07	6.1	6.1			
142	172	617	1.00	10.26	6.1	6.3			
155	188	566	1.05	9.40	6.0	6.4			
173	209	507	1.10	8.43	6.0	6.6			
178	215	493	0.80	8.20	5.8	6.0			
180	217	489	1.10	8.13	5.9	6.7			
189	228	465	1.15	7.73	5.9	6.7			
196	237	449	1.15	7.46	5.8	6.8			
217	262	405	0.95	6.73	5.6	6.4			
218	264	403	1.20	6.69	5.8	6.9			
238	288	369	1.25	6.13	5.6	7.0			
255	309	344	1.10	5.71	5.5	6.7			
311	376	283	1.15	4.70	5.3	6.9			
322	390	273	1.20	4.53	5.2	7.0			
392	474	224	1.25	3.73	5.0	7.2			



Legend see page 29

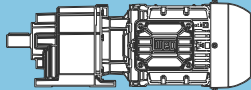
P _N = 11 kW							IE3					
50 Hz		60 Hz		i	at 50 Hz			m kg	Dimension sheet see page			
11 kW		13 kW			F _{IN} kN	F _{aN} kN						
n ₅₀ min ⁻¹	n ₆₀ min ⁻¹	M ₂ Nm	f _B									
4.1	4.9	23459	0.80	360.30	93.8	19.2	CG164-22P-160M-04E CF164-22P-160M-04E	810 833	168			
4.3	5.2	22286	0.85	342.97	98.8	20.3						
4.7	5.7	20208	0.90	311.64	106.4	22.1						
5.0	6.0	19116	0.95	295.40	110.0	23.1						
5.8	6.9	16433	1.10	255.51	117.5	25.6						
6.3	7.6	16770	1.10	234.67	116.6	25.3	CG163-22P-160M-04E CF163-22P-160M-04E	764 787	166			
7.3	8.8	14444	1.25	202.12	122.0	27.4						
8.4	10	12493	1.45	174.82	125.8	29.1						
9.5	12	11020	1.65	154.21	128.2	30.5						
11	13	9465	1.95	132.44	130.4	31.9						
13	16	8034	2.25	112.42	132.1	33.2						
15	18	6949	2.60	97.24	133.2	34.2						
16	19	6534	2.80	91.43	133.6	34.6						
17	21	6130	2.95	85.78	134.0	34.9						
6.3	7.6	15089	0.90	232.69	91.4	12.4	CG144-22P-160M-04E CF144-22P-160M-04E	559 577	164			
7.1	8.6	14784	0.90	206.88	92.2	12.7	CG143-22P-160M-04E CF143-22P-160M-04E	535 553	162			
8.1	9.8	12890	1.05	180.38	97.2	14.6						
9.5	11	11103	1.20	155.38	101.0	16.4						
11	13	9562	1.40	133.80	103.8	17.9						
13	15	8352	1.60	116.88	105.7	19.1						
15	18	7215	1.85	100.96	107.1	20.3						
17	21	6079	2.15	85.07	108.4	21.4						
18	21	5966	2.20	83.49	108.5	21.5						
20	24	5235	2.50	73.25	109.2	22.3						
21	26	4910	2.65	68.70	109.4	22.6						
23	28	4573	2.85	63.99	109.7	22.9						
39	47	2679	2.70	37.48	110.8	24.8	CG142-22P-160M-04E CF142-22P-160M-04E	521 539	162			
69	83	1527	2.70	21.37	111.2	25.6						
11	13	9698	0.85	135.71	55.9	18.4	CG133-22P-160M-04E CF133-22P-160M-04E	388 390	158			
13	15	8300	1.00	116.14	61.7	20.0						
15	18	7168	1.15	100.31	65.4	21.3						
16	20	6429	1.25	89.96	67.5	22.2						
17	21	6062	1.35	84.82	68.4	22.6						
19	23	5580	1.45	78.09	69.5	23.1						
21	26	4946	1.65	69.21	70.8	23.8						
22	26	4822	1.70	67.47	71.0	24.0						
25	31	4126	1.95	57.74	72.2	24.8						
26	32	4013	2.00	56.16	72.4	24.9						
29	36	3564	2.25	49.87	73.0	25.4						
35	42	3013	2.70	42.17	73.7	26.1						
41	50	2538	2.10	35.51	74.2	26.6				CG132-22P-160M-04E CF132-22P-160M-04E	379 381	158
47	57	2213	2.70	30.96	74.5	27.0						
73	88	1445	2.10	20.22	75.0	27.5						
83	101	1260	2.70	17.63	75.1	27.7						
19	22	5652	0.80	79.08	28.2	20.0	CG103-22P-160M-04E CF103-22P-160M-04E	285 289	154			
20	25	5174	0.90	72.40	31.6	20.6						
21	26	4889	0.95	68.41	33.4	21.0						
25	30	4207	1.10	58.87	36.9	21.9						
30	36	3540	1.30	49.54	39.2	22.7						
32	39	3289	1.40	46.03	38.1	23.0						
34	42	3054	1.50	42.74	37.1	23.3						
41	50	2562	1.80	35.85	34.4	23.9						
50	61	2083	2.20	29.15	31.7	24.6						
65	78	1629	2.80	22.79	28.7	25.1						
50	61	2084	2.20	29.16	31.7	24.6	CG102-22P-160M-04E CF102-22P-160M-04E	280 284	154			
58	70	1809	2.50	25.31	29.9	24.9						
67	81	1563	2.90	21.87	28.3	25.2						
87	105	1210	2.25	16.93	25.8	25.1						
100	121	1050	2.60	14.69	24.5	25.4						
116	140	907	3.00	12.70	23.2	25.6						

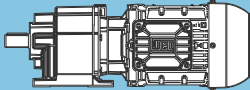
Legend see page 29

P _N = 11 kW								IE3	
50 Hz		60 Hz		i	at 50 Hz			m kg	Dimension sheet see page
11 kW		13 kW			F _{rN} kN	F _{aN} kN			
n ₅₀ min ⁻¹	n ₆₀ min ⁻¹	M ₂ Nm	f _B						
29	35	3660	0.85	51.22	16.8	24.6	CG093-22P-160M-04E CF093-22P-160M-04E	243 241	150
34	41	3115	0.95	43.59	22.0	25.4			
40	49	2613	1.05	36.57	25.3	26.1			
48	58	2202	1.15	30.81	27.4	26.7			
58	70	1805	1.30	25.26	27.2	27.3			
57	69	1834	1.65	25.67	27.4	27.3	CG092-22P-160M-04E CF092-22P-160M-04E	241 239	150
66	80	1587	1.90	22.20	25.8	27.7			
78	94	1350	2.25	18.89	24.1	28.0			
91	110	1149	2.65	16.08	22.7	28.3			
100	121	1046	1.75	14.64	22.1	27.9			
116	140	905	2.05	12.66	20.8	28.2			
136	165	770	2.40	10.77	19.6	28.5			
160	194	655	2.80	9.17	18.4	28.7			
70	85	1501	0.95	21.00	20.6	19.4	CG082-22P-160M-04E CF082-22P-160M-04E	189 193	148
82	99	1286	1.10	17.99	19.8	19.9			
96	116	1094	1.20	15.31	18.5	20.3			
114	138	918	1.35	12.84	17.3	20.6			
121	147	865	1.40	12.10	17.0	20.4			
136	164	773	1.50	10.82	16.1	20.9			
142	171	741	1.55	10.37	16.0	20.7			
166	200	634	1.75	8.87	14.9	21.2			
167	201	631	1.70	8.83	15.0	20.9			
199	240	529	1.90	7.40	14.0	21.2			
236	284	446	2.15	6.24	13.1	21.4			
287	347	366	2.45	5.12	12.2	21.6			
121	146	867	0.80	12.14	3.9	13.0	CG072-22P-160M-04E CF072-22P-160M-04E	165 169	146
133	161	789	0.85	11.04	4.4	13.0			
147	178	715	0.90	10.00	5.1	13.4			
162	195	650	0.95	9.10	5.5	13.4			
193	233	545	1.00	7.63	5.4	13.1			
228	276	460	1.10	6.44	6.0	13.4			
277	335	379	1.25	5.30	6.5	13.8			



Legend see page 29

P _N = 15 kW								IE3	
50 Hz		60 Hz		i	at 50 Hz			m kg	Dimension sheet see page
15 kW		18 kW			F _{IN} kN	F _{aIN} kN			
n ₅₀ min ⁻¹	n ₆₀ min ⁻¹	M ₂ Nm	f _b						
5.7	6.9	22764	0.80	255.51	96.8	19.8	CG164-22P-160L-04F CF164-22P-160L-04F	833 856	168
6.2	7.6	22946	0.80	234.67	96.0	19.7	CG163-22P-160L-04F CF163-22P-160L-04F	787 810	166
7.2	8.8	19763	0.95	202.12	107.9	22.5			
8.4	10	17094	1.10	174.82	115.8	25.0			
9.5	12	15079	1.20	154.21	120.7	26.8			
11	13	12950	1.40	132.44	125.0	28.7			
13	16	10775	1.70	110.19	128.6	30.7			
13	16	10993	1.65	112.42	128.3	30.5			
15	18	9509	1.90	97.24	130.4	31.9			
16	19	8940	2.05	91.43	131.1	32.4			
17	21	8387	2.15	85.78	131.8	32.9			
20	24	7203	2.50	73.67	133.0	34.0			
9.4	11	15193	0.90	155.38	91.0	12.3	CG143-22P-160L-04F CF143-22P-160L-04F	558 576	162
11	13	13083	1.00	133.80	96.7	14.4			
13	15	11428	1.15	116.88	100.4	16.0			
15	18	9872	1.35	100.96	103.3	17.6			
17	21	8318	1.60	85.07	105.7	19.2			
18	21	8164	1.60	83.49	105.9	19.3			
20	24	7163	1.85	73.25	107.2	20.3			
21	26	6718	1.95	68.70	107.7	20.8			
23	28	6257	2.10	63.99	108.2	21.2			
27	32	5405	2.45	55.27	109.0	22.1			
32	39	4470	2.95	45.71	109.8	23.0			
39	47	3665	1.95	37.48	110.3	23.8	CG142-22P-160L-04F CF142-22P-160L-04F	544 562	162
45	55	3157	3.00	32.28	110.6	24.3			
69	83	2090	1.95	21.37	111.0	24.9			
80	96	1800	3.00	18.41	111.1	25.3			
15	18	9809	0.85	100.31	55.3	18.3	CG133-22P-160L-04F CF133-22P-160L-04F	411 413	158
16	20	8796	0.95	89.96	59.8	19.5			
17	21	8294	1.00	84.82	61.7	20.0			
19	23	7636	1.05	78.09	64.0	20.8			
21	26	6768	1.20	69.21	66.6	21.8			
22	26	6597	1.25	67.47	67.0	22.0			
25	31	5646	1.45	57.74	69.4	23.1			
26	32	5491	1.50	56.16	69.7	23.2			
29	36	4876	1.65	49.87	70.9	23.9			
35	42	4123	1.95	42.17	72.2	24.8			
43	52	3365	2.40	34.41	73.3	25.7			
52	64	2730	2.95	27.92	74.0	26.4			
41	50	3472	1.55	35.51	73.2	25.5	CG132-22P-160L-04F CF132-22P-160L-04F	402 404	158
47	57	3028	1.95	30.96	73.7	26.0			
55	67	2608	3.00	26.67	74.1	26.5			
72	88	1977	1.55	20.22	74.7	26.7			
83	101	1724	1.95	17.63	74.8	27.1			
96	117	1485	3.00	15.19	75.0	27.4			
25	30	5756	0.80	58.87	27.3	19.9	CG103-22P-160L-04F CF103-22P-160L-04F	308 312	154
30	36	4844	0.95	49.54	33.7	21.0			
32	39	4501	1.00	46.03	35.5	21.5			
34	42	4179	1.10	42.74	37.1	21.9			
41	50	3505	1.30	35.85	35.8	22.7			
50	61	2850	1.60	29.15	32.9	23.6			
64	78	2228	2.05	22.79	29.7	24.4			
50	61	2851	1.60	29.16	32.9	23.6	CG102-22P-160L-04F CF102-22P-160L-04F	303 307	154
58	70	2475	1.85	25.31	30.9	24.1			
67	81	2138	2.15	21.87	29.1	24.5			
78	95	1830	2.50	18.71	27.4	24.9			
87	105	1655	1.65	16.93	26.6	24.3			
91	110	1580	2.85	16.16	25.8	25.2			
100	121	1437	1.90	14.69	25.1	24.7			
115	140	1241	2.20	12.70	23.8	25.0			
135	163	1062	2.55	10.86	22.3	25.3			
156	189	918	2.95	9.38	21.1	25.6			

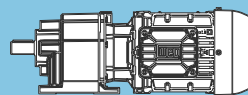
P _N = 15 kW								IE3	
50 Hz		60 Hz		i	at 50 Hz			m kg	Dimension sheet see page
15 kW		18 kW			F _{rN} kN	F _{aN} kN			
n ₅₀ min ⁻¹	n ₆₀ min ⁻¹	M ₂ Nm	f _B						
48	58	3013	0.85	30.81	22.8	25.5	CG093-22P-160L-04F CF093-22P-160L-04F	266	150
58	70	2470	0.95	25.26	26.1	26.4		264	
57	69	2510	1.20	25.67	25.9	26.3	CG092-22P-160L-04F CF092-22P-160L-04F	264 262	150
66	80	2171	1.40	22.20	26.8	26.8			
78	94	1847	1.65	18.89	25.0	27.3			
91	110	1572	1.95	16.08	23.4	27.7			
100	121	1431	1.30	14.64	22.8	27.1			
106	128	1356	2.25	13.87	22.0	28.0			
116	140	1238	1.50	12.66	21.5	27.5			
126	153	1138	2.65	11.63	20.5	28.3			
136	165	1053	1.75	10.77	20.1	27.9			
160	194	896	2.05	9.17	18.9	28.2			
185	224	773	2.40	7.91	17.8	28.4			
221	268	649	2.85	6.63	16.6	28.7			
81	99	1759	0.80	17.99	18.9	18.9	CG082-22P-160L-04F CF082-22P-160L-04F	212 216	148
96	116	1497	0.90	15.31	19.3	19.4			
114	138	1256	1.00	12.84	17.9	19.9			
121	147	1184	1.00	12.10	17.7	19.6			
135	164	1058	1.10	10.82	16.7	20.3			
141	171	1014	1.15	10.37	16.6	20.0			
165	200	868	1.30	8.87	15.4	20.7			
166	201	863	1.25	8.83	15.5	20.4			
198	240	724	1.40	7.40	14.4	20.7			
235	284	610	1.55	6.24	13.5	21.0			
286	347	500	1.80	5.12	12.5	21.3			
228	276	630	0.80	6.44	3.1	12.7	CG072-22P-160L-04F CF072-22P-160L-04F	188	146
276	335	519	0.95	5.30	4.2	13.2		192	



Legend see page 29

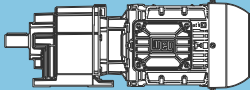
P_N = 18.5 kW

IE3



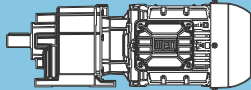
50 Hz		60 Hz		i	at 50 Hz		m kg	Dimension sheet see page	
18.5 kW		22 kW			F _{IN} kN	F _{aN} kN			
n ₅₀ min ⁻¹	n ₆₀ min ⁻¹	M ₂ Nm	f _b						
8.4	10	21011	0.90	174.82	103.6	21.4	CG163-22P-180M-04E CF163-22P-180M-04E	801 824	166
9.5	12	18534	1.00	154.21	111.7	23.7			
11	13	15918	1.15	132.44	118.7	26.0			
13	16	13244	1.40	110.19	124.4	28.5			
15	18	11687	1.55	97.24	127.2	29.9			
16	19	10989	1.65	91.43	128.3	30.5			
17	21	10309	1.75	85.78	129.3	31.1			
19	23	9164	2.00	76.25	130.8	32.2			
20	24	8854	2.05	73.67	131.2	32.5			
22	27	7877	2.30	65.54	132.3	33.3			
24	29	7367	2.45	61.29	132.8	33.8			
29	35	6112	2.95	50.86	134.0	34.9			
11	13	16081	0.85	133.80	88.3	11.4	CG143-22P-180M-04E CF143-22P-180M-04E	572 590	162
13	15	14047	0.95	116.88	94.3	13.4			
15	18	12134	1.10	100.96	98.9	15.3			
17	21	10224	1.30	85.07	102.7	17.3			
18	21	10034	1.30	83.49	103.0	17.4			
20	24	8804	1.50	73.25	105.0	18.7			
21	26	8257	1.60	68.70	105.8	19.2			
23	28	7691	1.70	63.99	106.5	19.8			
26	31	6787	1.95	56.47	107.6	20.7			
27	32	6643	2.00	55.27	107.8	20.8			
31	37	5763	2.30	47.95	108.7	21.7			
32	39	5494	2.40	45.71	108.9	22.0			
39	47	4521	2.90	37.61	109.7	23.0			
39	47	4505	1.60	37.48	109.7	23.0	CG142-22P-180M-04E CF142-22P-180M-04E	558 576	162
46	55	3880	2.45	32.28	110.2	23.6			
69	83	2569	1.60	21.37	110.9	24.3			
80	96	2213	2.45	18.41	111.0	24.8			
17	21	10194	0.80	84.82	53.4	17.9	CG133-22P-180M-04E CF133-22P-180M-04E	425 427	158
19	23	9385	0.90	78.09	57.3	18.8			
21	26	8319	1.00	69.21	61.6	20.0			
22	26	8109	1.00	67.47	62.4	20.2			
25	31	6939	1.20	57.74	66.1	21.6			
26	32	6749	1.20	56.16	66.6	21.8			
29	36	5994	1.35	49.87	68.6	22.7			
33	40	5388	1.50	44.83	69.9	23.3			
35	42	5068	1.60	42.17	70.6	23.7			
43	52	4136	1.95	34.41	72.2	24.8			
53	64	3355	2.40	27.92	73.3	25.7			
66	80	2679	3.00	22.29	74.1	26.4			
47	57	3721	1.60	30.96	72.8	25.2	CG132-22P-180M-04E CF132-22P-180M-04E	416 418	158
55	67	3205	2.45	26.67	73.5	25.8			
64	77	2760	2.90	22.97	74.0	26.3			
83	101	2119	1.60	17.63	74.5	26.5			
97	117	1825	2.45	15.19	74.8	26.9			
58	70	3042	1.50	25.31	31.8	23.3	CG102-22P-180M-04E CF102-22P-180M-04E	317 321	154
67	81	2628	1.75	21.87	29.9	23.9			
79	95	2249	2.05	18.71	27.9	24.3			
91	110	1943	2.35	16.16	26.3	24.7			
100	121	1766	1.55	14.69	25.7	24.1			
108	130	1643	2.75	13.67	24.6	25.1			
116	140	1526	1.80	12.70	24.2	24.5			
135	163	1306	2.10	10.86	22.7	24.9			
157	189	1128	2.40	9.38	21.4	25.2			
185	224	954	2.85	7.93	20.1	25.5			

Legend see page 29

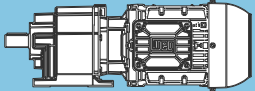
P_N = 18.5 kW								IE3	
50 Hz		60 Hz		i	at 50 Hz			m kg	Dimension sheet see page
18.5 kW		22 kW			F_{rN} kN	F_{aN} kN			
n₅₀ min ⁻¹	n₆₀ min ⁻¹	M₂ Nm	f_B						
66	80	2669	1.15	22.20	25.0	26.1	CG092-22P-180M-04E CF092-22P-180M-04E	278 276	150
78	94	2270	1.35	18.89	25.7	26.6			
91	110	1932	1.60	16.08	24.0	27.1			
106	128	1667	1.80	13.87	22.6	27.5			
116	140	1522	1.20	12.66	22.0	26.9			
126	153	1398	2.15	11.63	21.0	27.9			
136	165	1295	1.45	10.77	20.6	27.4			
155	188	1137	2.50	9.46	19.3	28.3			
160	194	1102	1.70	9.17	19.3	27.8			
186	224	951	1.95	7.91	18.1	28.1			
199	240	889	2.95	7.40	17.5	28.7			
222	268	797	2.30	6.63	16.9	28.4			
272	329	648	2.85	5.39	15.6	28.7			
114	138	1544	0.80	12.84	18.5	19.3	CG082-22P-180M-04E CF082-22P-180M-04E	226 230	148
136	164	1301	0.90	10.82	17.1	19.8			
142	171	1246	0.90	10.37	17.1	19.4			
166	200	1066	1.05	8.87	15.7	20.3			
167	201	1061	1.00	8.83	15.9	19.9			
199	240	890	1.15	7.40	14.8	20.3			
236	284	750	1.30	6.24	13.8	20.6			
287	347	615	1.45	5.12	12.7	21.0			



Legend see page 29

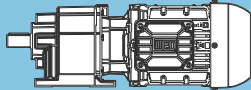
P _N = 22 kW								IE3	
50 Hz		60 Hz		i	at 50 Hz			m kg	Dimension sheet see page
22 kW		26 kW			F _{IN} kN	F _{aN} kN			
n ₅₀ min ⁻¹	n ₆₀ min ⁻¹	M ₂ Nm	f _B						
9.5	12	22040	0.85	154.21	99.8	20.5	CG163-22P-180L-04F CF163-22P-180L-04F	822 845	166
11	13	18929	1.00	132.44	110.6	23.3			
13	16	16068	1.15	112.42	118.4	25.9			
15	18	13898	1.30	97.24	123.2	27.9			
16	19	13068	1.40	91.43	124.8	28.6			
17	21	12260	1.50	85.78	126.2	29.4			
19	23	10898	1.70	76.25	128.4	30.6			
20	24	10529	1.75	73.67	129.0	30.9			
22	27	9367	1.95	65.54	130.6	32.0			
24	29	8760	2.10	61.29	131.3	32.5			
29	35	7269	2.50	50.86	132.9	33.9			
35	42	6062	3.00	42.41	134.0	35.0			
45	54	4717	3.00	33.00	135	36.2	CG162-22P-180L-04F CF162-22P-180L-04F	797 820	166
83	100	2529	3.00	17.70	136	37.9			
13	15	16704	0.80	116.88	86.2	10.8	CG143-22P-180L-04F CF143-22P-180L-04F	593 611	162
15	18	14429	0.95	100.96	93.2	13.0			
17	21	12158	1.10	85.07	98.8	15.3			
18	21	11933	1.10	83.49	99.3	15.5			
20	24	10470	1.25	73.25	102.2	17.0			
21	26	9819	1.35	68.70	103.4	17.7			
23	28	9146	1.45	63.99	104.5	18.3			
26	31	8071	1.65	56.47	106.0	19.4			
27	32	7900	1.65	55.27	106.3	19.6			
31	37	6853	1.90	47.95	107.6	20.6			
32	39	6533	2.00	45.71	107.9	21.0			
39	47	5376	2.45	37.61	109.0	22.1			
48	57	4419	2.90	30.92	109.8	23.1			
39	47	5357	1.35	37.48	109.1	22.1	CG142-22P-180L-04F CF142-22P-180L-04F	579 597	162
46	55	4614	2.05	32.28	109.7	22.9			
53	64	3991	2.95	27.92	110.1	23.5			
69	83	3055	1.35	21.37	110.6	23.7			
80	96	2631	2.05	18.41	110.8	24.3			
92	111	2276	2.95	15.92	111.0	24.7			
21	26	9892	0.85	69.21	54.9	18.2	CG133-22P-180L-04F CF133-22P-180L-04F	446 448	158
22	26	9643	0.85	67.47	56.1	18.5			
25	31	8252	1.00	57.74	61.9	20.1			
26	32	8026	1.00	56.16	62.7	20.3			
29	36	7127	1.15	49.87	65.6	21.4			
33	40	6408	1.25	44.83	67.5	22.2			
35	42	6027	1.35	42.17	68.5	22.6			
43	52	4918	1.65	34.41	70.9	23.9			
53	64	3990	2.05	27.92	72.4	24.9			
66	80	3186	2.55	22.29	73.5	25.9			
47	57	4425	1.35	30.96	71.7	24.4	CG132-22P-180L-04F CF132-22P-180L-04F	437 439	158
55	67	3812	2.05	26.67	72.7	25.1			
64	77	3283	2.45	22.97	73.4	25.8			
73	88	2867	2.80	20.06	73.9	26.2			
83	101	2520	1.35	17.63	74.2	26.0			
97	117	2170	2.05	15.19	74.5	26.5			
112	136	1869	2.65	13.08	74.5	26.9			
58	70	3617	1.25	25.31	32.6	22.6	CG102-22P-180L-04F CF102-22P-180L-04F	338 342	154
67	81	3125	1.45	21.87	30.6	23.2			
79	95	2675	1.70	18.71	28.5	23.8			
91	110	2310	1.95	16.16	26.9	24.3			
100	121	2100	1.30	14.69	26.2	23.5			
108	130	1953	2.35	13.67	25.1	24.7			
116	140	1815	1.50	12.70	24.6	24.0			
132	159	1594	2.85	11.15	23.1	25.2			
135	163	1553	1.75	10.86	23.1	24.5			
157	189	1341	2.05	9.38	21.8	24.9			
185	224	1134	2.40	7.93	20.4	25.2			
227	274	925	2.95	6.47	18.8	25.6			

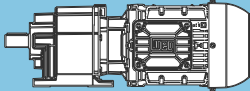
Legend see page 29

P _N = 22 kW								IE3	
50 Hz	60 Hz	M ₂ Nm	f _B	i	at 50 Hz			m kg	Dimension sheet see page
22 kW	26 kW				F _{rN} kN	F _{aN} kN			
n ₅₀ min ⁻¹	n ₆₀ min ⁻¹								
66	80	3173	0.95	22.20	21.6	25.3	CG092-22P-180L-04F CF092-22P-180L-04F	299 297	150
78	94	2700	1.15	18.89	24.8	26.0			
91	110	2298	1.35	16.08	24.7	26.6			
106	128	1982	1.55	13.87	23.1	27.1			
116	140	1810	1.05	12.66	22.6	26.4			
126	153	1663	1.80	11.63	21.5	27.5			
136	165	1540	1.20	10.77	21.1	26.9			
155	188	1352	2.10	9.46	19.7	28.0			
160	194	1310	1.40	9.17	19.7	27.4			
186	224	1130	1.65	7.91	18.5	27.7			
199	240	1057	2.50	7.40	17.8	28.4			
222	268	948	1.95	6.63	17.2	28.1			
272	329	771	2.40	5.39	15.8	28.4			
142	171	1482	0.80	10.37	17.5	18.8	CG082-22P-180L-04F CF082-22P-180L-04F	247 251	148
166	200	1268	0.90	8.87	16.1	19.9			
167	201	1261	0.85	8.83	16.3	19.4			
199	240	1058	0.95	7.40	15.1	19.9			
236	284	892	1.10	6.24	14.1	20.3			
287	347	731	1.25	5.12	13.0	20.7			



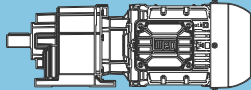
Legend see page 29

P _N = 30 kW								IE3	
50 Hz		60 Hz		i	at 50 Hz			m kg	Dimension sheet see page
30 kW		36 kW			F _{IN} kN	F _{aN} kN			
n ₅₀ min ⁻¹	n ₆₀ min ⁻¹	M ₂ Nm	f _b						
13	16	21331	0.85	110.19	102.5	21.1	CG163-22P-200L-04E CF163-22P-200L-04E	880 903	166
15	18	18824	1.00	97.24	110.9	23.4			
16	19	17699	1.05	91.43	114.1	24.4			
17	21	16605	1.10	85.78	117.0	25.4			
19	23	14760	1.25	76.25	121.4	27.1			
20	24	14261	1.30	73.67	122.4	27.5			
23	27	12687	1.45	65.54	125.5	29.0			
24	29	11865	1.55	61.29	126.9	29.7			
26	31	10979	1.65	56.72	128.3	30.5			
29	35	9845	1.85	50.86	129.9	31.6			
35	42	8210	2.20	42.41	132.0	33.0			
41	49	7057	2.60	36.45	133.1	34.1			
47	56	6107	2.90	31.55	134.0	35.0			
45	54	6388	2.20	33.00	133.7	34.7	CG162-22P-200L-04E CF162-22P-200L-04E	855 878	166
84	101	3426	2.20	17.70	135.7	37.0			
18	21	16162	0.85	83.49	88.0	11.3	CG143-22P-200L-04E CF143-22P-200L-04E	651 669	162
20	24	14181	0.95	73.25	93.9	13.3			
22	26	13300	1.00	68.70	96.2	14.2			
23	28	12387	1.05	63.99	98.3	15.1			
26	32	10932	1.20	56.47	101.4	16.5			
27	32	10700	1.25	55.27	101.8	16.8			
31	37	9282	1.45	47.95	104.3	18.2			
32	39	8849	1.50	45.71	104.9	18.6			
36	43	7923	1.65	40.93	106.2	19.6			
39	47	7282	1.80	37.61	107.1	20.2			
48	58	5985	2.15	30.92	108.5	21.5			
56	68	5082	2.40	26.25	109.3	22.4			
66	79	4338	2.70	22.41	109.9	23.2			
53	64	5405	2.20	27.92	109.0	22.1	CG142-22P-200L-04E CF142-22P-200L-04E	637 655	162
60	72	4768	2.75	24.63	109.5	22.7			
93	112	3082	2.20	15.92	110.6	23.7			
105	127	2719	3.00	14.05	110.8	24.2			
30	36	9654	0.85	49.87	56.1	18.5	CG133-22P-200L-04E CF133-22P-200L-04E	504 506	158
33	40	8679	0.95	44.83	60.2	19.6			
35	42	8163	1.00	42.17	62.2	20.2			
43	52	6661	1.25	34.41	66.9	21.9			
53	64	5404	1.50	27.92	69.9	23.3			
66	80	4315	1.90	22.29	71.9	24.6			
64	78	4446	1.80	22.97	71.7	24.4	CG132-22P-200L-04E CF132-22P-200L-04E	495 497	158
74	89	3884	2.10	20.06	72.6	25.1			
85	103	3355	2.40	17.33	73.3	25.7			
103	124	2774	2.90	14.33	72.1	26.3			
113	136	2531	1.95	13.08	69.3	25.9			
130	156	2211	2.25	11.42	68.1	26.4			
150	180	1910	2.60	9.87	66.8	26.8			
79	95	3622	1.25	18.71	29.9	22.6	CG102-22P-200L-04E CF102-22P-200L-04E	396 400	154
92	110	3129	1.45	16.16	28.0	23.2			
108	130	2646	1.75	13.67	26.1	23.8			
133	160	2159	2.10	11.15	23.9	24.5			
136	164	2103	1.30	10.86	24.0	23.5			
158	190	1817	1.50	9.38	22.5	24.0			
164	197	1752	2.60	9.05	21.9	25.0			
187	224	1536	1.80	7.93	21.0	24.5			
229	275	1253	2.20	6.47	19.3	25.0			
282	339	1017	2.70	5.25	17.8	25.4			
92	111	3112	1.00	16.08	22.1	25.4	CG092-22P-200L-04E CF092-22P-200L-04E	357 355	150
107	128	2685	1.15	13.87	24.3	26.0			
127	153	2252	1.35	11.63	22.4	26.7			
156	188	1831	1.55	9.46	20.5	27.3			
161	194	1775	1.05	9.17	20.5	26.4			
187	225	1531	1.20	7.91	19.2	26.9			
200	241	1432	1.85	7.40	18.4	27.9			
223	268	1284	1.45	6.63	17.8	27.4			
274	330	1044	1.75	5.39	16.3	27.9			
351	422	816	2.25	4.22	14.8	28.4			

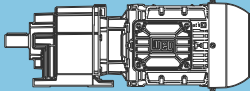
P_N = 37 kW								IE3	
50 Hz		60 Hz		i	at 50 Hz			m kg	Dimension sheet see page
37 kW		44 kW			F_{rN} kN	F_{aN} kN			
n₅₀ min ⁻¹	n₆₀ min ⁻¹	M₂ Nm	f_B						
15	18	23217	0.80	97.24	94.9	19.4	CG163-22P-200L-04F CF163-22P-200L-04F	907 930	166
16	19	21829	0.85	91.43	100.6	20.7			
17	21	20479	0.90	85.78	105.5	21.9			
19	23	18204	1.00	76.25	112.7	24.0			
20	24	17588	1.05	73.67	114.4	24.5			
23	27	15647	1.20	65.54	119.4	26.3			
24	29	14634	1.25	61.29	121.6	27.2			
26	31	13541	1.35	56.72	123.9	28.2			
29	35	12142	1.50	50.86	126.4	29.5			
35	42	10126	1.80	42.41	129.6	31.3			
41	49	8703	2.10	36.45	131.4	32.6			
47	56	7532	2.35	31.55	132.7	33.7			
45	54	7879	1.80	33.00	132.3	33.3	CG162-22P-200L-04F CF162-22P-200L-04F	882 905	166
59	71	6005	3.00	25.15	134.1	35.0			
84	101	4225	1.80	17.70	135.3	36.1			
22	26	16403	0.80	68.70	87.2	11.1	CG143-22P-200L-04F CF143-22P-200L-04F	678 696	162
23	28	15278	0.90	63.99	90.8	12.2			
26	32	13483	1.00	56.47	95.7	14.0			
27	32	13197	1.00	55.27	96.4	14.3			
31	37	11447	1.15	47.95	100.3	16.0			
32	39	10914	1.20	45.71	101.4	16.6			
36	44	9771	1.35	40.93	103.5	17.7			
39	47	8981	1.45	37.61	104.7	18.5			
48	58	7382	1.75	30.92	106.9	20.1			
56	68	6268	1.95	26.25	108.2	21.2			
66	80	5350	2.20	22.41	109.1	22.1			
53	64	6667	1.80	27.92	107.8	20.8	CG142-22P-200L-04F CF142-22P-200L-04F	664 682	162
60	72	5881	2.25	24.63	108.6	21.6			
70	84	5050	2.60	21.15	109.3	22.4			
93	112	3802	1.80	15.92	110.2	22.8			
105	127	3353	2.45	14.05	108.7	23.4			
123	148	2880	2.80	12.06	105.7	24.0			
35	42	10068	0.80	42.17	54.1	18.0	CG133-22P-200L-04F CF133-22P-200L-04F	531 533	158
43	52	8215	1.00	34.41	62.0	20.1			
53	64	6666	1.25	27.92	66.2	21.9			
66	80	5321	1.55	22.29	68.1	23.4			
64	78	5483	1.50	22.97	68.0	23.2	CG132-22P-200L-04F CF132-22P-200L-04F	522 524	158
74	89	4790	1.70	20.06	68.2	24.0			
85	103	4137	1.95	17.33	68.4	24.8			
103	124	3422	2.35	14.33	67.8	25.6			
113	136	3122	1.60	13.08	65.0	25.1			
125	151	2816	2.85	11.79	66.8	26.3			
130	156	2727	1.85	11.42	64.3	25.7			
150	181	2356	2.10	9.87	63.5	26.2			
181	218	1948	2.55	8.16	62.1	26.8			
79	95	4468	1.05	18.71	31.2	21.5	CG102-22P-200L-04F CF102-22P-200L-04F	423 427	154
92	110	3859	1.20	16.16	29.1	22.3			
108	130	3263	1.40	13.67	27.0	23.1			
133	160	2663	1.70	11.15	24.6	23.8			
136	164	2594	1.05	10.86	24.8	22.7			
158	190	2240	1.25	9.38	23.2	23.3			
164	197	2160	2.10	9.05	22.5	24.5			
187	225	1894	1.45	7.93	21.6	23.9			
205	247	1725	2.65	7.22	20.4	25.0			
229	275	1546	1.75	6.47	19.8	24.5			
282	339	1254	2.20	5.25	18.2	25.0			
353	425	1001	2.70	4.19	16.6	25.5			



Legend see page 29

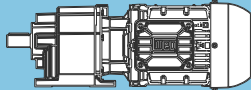
P _N = 45 kW								IE3	
50 Hz		60 Hz		i	at 50 Hz			m kg	Dimension sheet see page
45 kW		55 kW			F _{IN} kN	F _{aIN} kN			
n ₅₀ min ⁻¹	n ₆₀ min ⁻¹	M ₂ Nm	f _b						
19	23	22140	0.85	76.25	99.4	20.4	CG163-22P-225S/M-04F CF163-22P-225S/M-04F	1044 1067	166
20	24	21391	0.85	73.67	102.2	21.1			
23	27	19030	0.95	65.54	110.3	23.2			
24	29	17798	1.05	61.29	113.9	24.3			
26	31	16469	1.10	56.72	117.4	25.5			
29	35	14767	1.25	50.86	121.3	27.1			
35	42	12315	1.50	42.41	126.1	29.3			
41	49	10585	1.75	36.45	128.9	30.9			
47	56	9161	1.95	31.55	130.8	32.2			
45	54	9582	1.50	33.00	130.3	31.8	CG162-22P-225S/M-04F CF162-22P-225S/M-04F	1019 1042	166
59	71	7304	2.50	25.15	132.9	33.9			
70	84	6133	2.95	21.12	134.0	34.9			
84	101	5138	1.50	17.70	134.7	35.2			
110	132	3917	2.60	13.49	135.4	36.5			
26	32	16398	0.80	56.47	87.2	11.1	CG143-22P-225S/M-04F CF143-22P-225S/M-04F	815 833	162
27	32	16050	0.85	55.27	88.4	11.4			
31	37	13923	0.95	47.95	94.6	13.5			
32	39	13273	1.00	45.71	96.3	14.2			
36	44	11884	1.10	40.93	99.4	15.6			
39	47	10922	1.20	37.61	101.4	16.6			
48	58	8978	1.45	30.92	104.7	18.5			
56	68	7623	1.60	26.25	106.6	19.9			
66	80	6506	1.80	22.41	107.9	21.0			
53	64	8108	1.50	27.92	106.0	19.4			
60	72	7152	1.85	24.63	107.2	20.3			
70	84	6142	2.15	21.15	108.3	21.3			
84	101	5111	2.55	17.60	109.3	22.4			
93	112	4624	1.50	15.92	105.4	21.8			
105	127	4078	2.00	14.05	104.1	22.5			
123	148	3503	2.30	12.06	101.7	23.2			
43	52	9992	0.85	34.41	51.2	18.1	CG133-22P-225S/M-04F CF133-22P-225S/M-04F	668 670	158
53	64	8107	1.00	27.92	56.6	20.2			
66	80	6472	1.25	22.29	60.5	22.1			
64	78	6669	1.20	22.97	60.1	21.9	CG132-22P-225S/M-04F CF132-22P-225S/M-04F	659 661	158
74	89	5825	1.40	20.06	61.3	22.8			
85	103	5032	1.60	17.33	62.5	23.8			
103	124	4161	1.95	14.33	62.9	24.7			
113	136	3797	1.30	13.08	59.9	24.2			
125	151	3424	2.35	11.79	62.7	25.6			
130	156	3317	1.50	11.42	59.9	24.8			
150	181	2865	1.75	9.87	59.7	25.5			
153	184	2815	2.85	9.69	61.7	26.3			
180	217	2390	3.35	8.23	60.7	26.8			
181	218	2369	2.10	8.16	58.9	26.2			
211	254	2040	3.95	7.03	59.5	27.2			
220	265	1950	2.55	6.71	57.7	26.8			
268	323	1603	3.10	5.52	56.1	27.3			
316	380	1361	3.65	4.69	54.6	27.6			
370	446	1161	4.30	4.00	53.1	27.9			

Legend see page 29

P _N = 55 kW								IE3	
50 Hz		60 Hz		i	at 50 Hz			m kg	Dimension sheet see page
55 kW		66 kW			F _{rN} kN	F _{aN} kN			
n ₅₀ min ⁻¹	n ₆₀ min ⁻¹	M ₂ Nm	f _B						
23	27	23259	0.80	65.54	94.7	19.4	CG163-22P-225S/M-04G CF163-22P-225S/M-04G	1092 1115	166
24	29	21753	0.85	61.29	100.9	20.7			
26	31	20128	0.90	56.72	106.7	22.2			
29	35	18049	1.00	50.86	113.2	24.1			
35	42	15052	1.20	42.41	120.7	26.8			
41	49	12938	1.40	36.45	125.0	28.7			
47	57	11196	1.60	31.55	128.0	30.3			
59	71	8927	2.05	25.15	131.1	32.4	CG162-22P-225S/M-04G CF162-22P-225S/M-04G	1067 1090	166
70	85	7495	2.45	21.12	132.7	33.7			
85	103	6168	2.95	17.38	133.9	34.9			
110	132	4787	2.10	13.49	134.9	35.6			
131	158	4019	2.85	11.33	135.4	36.4			
31	37	17017	0.80	47.95	85.1	10.4	CG143-22P-225S/M-04G CF143-22P-225S/M-04G	863 881	162
32	39	16223	0.85	45.71	87.8	11.2			
36	44	14525	0.90	40.93	93.0	12.9			
39	47	13349	1.00	37.61	96.1	14.1			
48	58	10973	1.20	30.92	101.3	16.5			
56	68	9317	1.30	26.25	103.5	18.2			
66	80	7952	1.50	22.41	103.8	19.5			
60	72	8741	1.50	24.63	103.6	18.7	CG142-22P-225S/M-04G CF142-22P-225S/M-04G	849 867	162
70	84	7507	1.75	21.15	103.7	20.0			
84	101	6246	2.10	17.60	103.2	21.2			
101	122	5183	2.55	14.60	101.9	22.3			
105	127	4985	1.65	14.05	98.2	21.4			
123	148	4281	1.90	12.06	96.7	22.2			
147	178	3562	2.60	10.04	94.9	23.1			
53	64	9908	0.85	27.92	44.6	18.2	CG133-22P-225S/M-04G CF133-22P-225S/M-04G	716 718	158
66	80	7910	1.05	22.29	50.9	20.5			
74	89	7120	1.15	20.06	52.6	21.4	CG132-22P-225S/M-04G CF132-22P-225S/M-04G	707 709	158
85	103	6150	1.35	17.33	55.0	22.5			
103	125	5086	1.60	14.33	56.7	23.7			
125	151	4185	1.95	11.79	57.6	24.7			
130	156	4054	1.25	11.42	54.4	23.8			
150	181	3502	1.45	9.87	55.0	24.6			
153	184	3440	2.35	9.69	57.6	25.6			
180	217	2921	2.75	8.23	57.2	26.2			
181	219	2896	1.75	8.16	55.0	25.4			
211	254	2493	3.25	7.03	56.5	26.7			
220	266	2383	2.10	6.71	54.5	26.2			
268	323	1959	2.55	5.52	53.5	26.8			
316	381	1663	3.00	4.69	52.4	27.2			
370	446	1420	3.50	4.00	51.2	27.5			



Legend see page 29

P _N = 75 kW								IE3	
50 Hz 75 kW n ₅₀ min ⁻¹	60 Hz 90 kW n ₆₀ min ⁻¹	M ₂ Nm	f _b	i	at 50 Hz			m kg	Dimension sheet see page
					F _{IN} kN	F _{aN} kN			
35	42	20525	0.90	42.41	105.4	21.9	CG163-22P-250S/M-04F CF163-22P-250S/M-04F	1196	166
41	49	17642	1.05	36.45	114.3	24.5		1219	
47	56	15268	1.15	31.55	120.2	26.6			
59	71	12173	1.50	25.15	126.4	29.4	CG162-22P-250S/M-04F CF162-22P-250S/M-04F	1171 1194	166
70	84	10221	1.80	21.12	129.4	31.2			
85	102	8411	2.15	17.38	131.7	32.9			
100	120	7156	2.55	14.79	133.0	34.0			
110	132	6528	1.55	13.49	130.7	33.8			
116	139	6182	2.95	12.77	133.9	34.9			
131	157	5481	2.10	11.33	128.9	34.8			
159	191	4510	2.50	9.32	126.1	35.8			
187	225	3837	2.95	7.93	123.2	36.5			

Legend see page 29

Selection tables - Gear units

Structure of the selection tables

Type	$i_{ges.}$	M_{2max}	n_2	i_{exakt}	n_{1max}	IEC motor frame size 7												
						63	71	80	90	100	112	132	160	180	200	225	250	-
						IEC adapter 8												
						I63	I71	I80	I90	I100	I112	I132	I160	I180	I200	I225	I250	I280
NEMA adapter 9																		
		[Nm]	[min ⁻¹]		[min ⁻¹]	N56	N143/145	N182	N184	N213/215	N254/256	N284/286	N324/326	N364	-	-		
C002																		
2 stages	10																	
$n_1=1400 \text{ min}^{-1}$	11																	
Maximum torque 50 Nm	12																	

Type	$i_{ges.}$	SERVO adapter										Input unit								
		n_{1max}	Adapter size 14										n_{1max}	Input shaft 16						
			[min ⁻¹]	S92	S105	S114	S115	S130	S141	S142	S180	S189		S190	[min ⁻¹]	19x40	24x50	28x60	38x80	42x110

- 1** Type of gear unit
- 2** Total ratio
- 3** Permissible output torque at S1 operation ($f_b = 1.0$)
- 4** Output speed (gear unit) at $n_1 = 1400 \text{ min}^{-1}$
- 5** Exact mathematical ratio
- 6** Maximum permissible input speed gear unit, valid for direct mounting and IEC / NEMA adapter
Max. perm. input speed IEC / NEMA adapter: I63 - I132 / N56 - N213 = 3000 min^{-1} , I160 - I280 / N254 - N364 = 2500 min^{-1}
Max. perm. motor speed (Direct mounting): motor frame size 63 - 180 = 3000 min^{-1} , 200 - 250 = 2500 min^{-1} .
Higher motor speed on request
- 7** Possible motor frame sizes (Direct mounting)
- 8** Possible IEC adapter sizes
- 9** Possible NEMA adapter sizes
- 10** Number of gear stages
- 11** Motor speed
- 12** Maximum torque
- 13** Maximum input speed - SERVO adapter
- 14** Possible SERVO adapter sizes
- 15** Maximum input speed - direct mounting, IEC / NEMA adapter and input unit
Higher input speeds on request
- 16** Possible input shafts of the input unit

Type	i_{ges}	M_{2max}	n_2	i_{exakt}	n_{1max}	IEC motor frame size												
						63	71	80	90	-	-	-	-	-	-	-	-	-
						IEC adapter												
						I63	I71	I80	-	-	-	-	-	-	-	-	-	-
						NEMA adapter												
		[Nm]	[min ⁻¹]		[min ⁻¹]	N56	-	-	-	-	-	-	-	-	-	-	-	
C002	47.44	50	30	759/16	6000													
	42.34	50	33	1863/44	6000													
	36.85	50	38	737/20	6000													
	32.89	50	43	1809/55	6000													
	29.33	50	48	88/3	6000													
	26.18	50	53	288/11	6000													
	23.00	50	61	23/1	6000													
	20.53	50	68	2484/121	6000													
	17.29	50	81	121/7	6000													
	16.86	31	83	2967/176	6000													
	15.43	50	91	108/7	6000													
	13.54	50	103	176/13	6000													
	13.10	43	107	2881/220	6000													
	12.08	50	116	1728/143	6000													
	10.42	45	134	344/33	6000													
	9.97	50	140	319/32	6000													
	8.90	50	157	783/88	6000													
	8.17	45	171	989/121	6000													
	6.88	49	204	55/8	6000													
	6.14	42	228	43/7	6000													
6.14	50	228	135/22	6000														
4.81	39	291	688/143	6000														
3.54	35	395	1247/352	6000														
2.44	31	573	215/88	6000														
C012	66.50	85	21	133/2	6000													
	59.59	85	23	1311/22	6000													
	51.80	85	27	259/5	6000													
	46.42	85	30	2553/55	6000													
	42.00	85	33	42/1	6000													
	37.64	85	37	414/11	6000													
	33.09	85	42	364/11	6000													
	29.65	85	47	3588/121	6000													
	25.50	85	55	51/2	6000													
	25.05	41	56	551/22	6000													
	22.85	85	61	3519/154	6000													
	19.92	85	70	259/13	6000													
	19.51	66	72	1073/55	6000													
	17.85	85	78	2553/143	6000													
	15.82	66	89	174/11	6000													
	14.88	85	94	119/8	6000													
	13.33	85	105	1173/88	6000													
	12.83	85	109	77/6	6000													
	12.46	66	112	1508/121	6000													
	11.50	85	122	23/2	6000													
11.20	84	125	56/5	6000														
10.04	81	139	552/55	6000														
9.60	66	146	1479/154	6000														
8.22	76	170	189/23	6000														
7.50	66	187	1073/143	6000														
7.36	74	190	81/11	6000														
5.60	66	250	493/88	6000														
4.83	66	290	29/6	6000														
4.22	66	332	232/55	6000														
3.09	63	452	783/253	6000														

Legend see page 99

Type	i _{ges.}	SERVO adapter											Input unit													
		n _{1max}	Adapter size											n _{1max}	Input shaft [mm]											
			[min ⁻¹]	S92	S105	S114	S115	S130	S141	S142	S180	S189	S190		[min ⁻¹]	19x40	24x50	28x60	38x80	42x110	48x110	55x110				
C002	47.44	5000														-										
	42.34	5000														-										
	36.85	5000													3000											
	32.89	5000													3000											
	29.33	5000													3000											
	26.18	5000													3000											
	23.00	5000													3000											
	20.53	5000													3000											
	17.29	5000													3000											
	16.86	5000													-											
	15.43	5000													3000											
	13.54	5000													3000											
	13.10	5000													3000											
	12.08	5000													3000											
	10.42	5000													3000											
	9.97	4200													3000											
	8.90	4200													3000											
	8.17	5000													3000											
	6.88	3400													3000											
	6.14	5000													3000											
	6.14	3400													3000											
	4.81	5000													3000											
	3.54	4200													3000											
	2.44	3400													3000											
C012	66.50	5000													-											
	59.59	5000													-											
	51.80	5000													3000											
	46.42	5000													3000											
	42.00	5000													3000											
	37.64	5000													3000											
	33.09	5000													3000											
	29.65	5000													3000											
	25.50	5000													3000											
	25.05	5000													-											
	22.85	5000													3000											
	19.92	5000													3000											
	19.51	5000													3000											
	17.85	5000													3000											
	15.82	5000													3000											
	14.88	4700													3000											
	13.33	4700													3000											
	12.83	4200													3000											
	12.46	5000													3000											
	11.50	4200													3000											
	11.20	3800													3000											
	10.04	3800													3000											
	9.60	5000													3000											
	8.22	3300													3000											
	7.50	5000													3000											
	7.36	3300													3000											
	5.60	4700													3000											
	4.83	4200													3000											
	4.22	3800													3000											
	3.09	3300													3000											

Legend see page 99

Type	$i_{ges.}$	M_{znom}	n_2	i_{exakt}	n_{1max}	IEC motor frame size											
						63	71	80	90	100	-	-	-	-	-	-	-
						IEC adapter											
						I63	I71	I80	I90	-	-	-	-	-	-	-	-
NEMA adapter																	
		[Nm]	[min ⁻¹]			N56	N143/145	-	-	-	-	-	-	-	-	-	
C032	42.88	184	33	2573/60	6000												
	38.95	168	36	5063/130	6000												
	34.88	200	40	279/8	6000												
	31.67	200	44	1647/52	6000												
	27.71	200	51	1829/66	6000												
	25.17	200	56	3599/143	6000												
	24.03	103	58	913/38	6000												
	21.40	200	65	899/42	6000												
	19.54	128	72	1485/76	6000												
	19.44	200	72	1769/91	6000												
	17.09	200	82	1333/78	6000												
	15.53	130	90	295/19	6000												
	15.52	200	90	2623/169	6000												
	12.92	194	108	155/12	6000												
	11.99	130	117	1595/133	6000												
	11.73	198	119	305/26	6000												
	9.82	180	143	589/60	6000												
	9.57	130	146	2365/247	6000												
	8.92	183	157	1159/130	6000												
	7.64	169	183	527/69	6000												
	7.24	130	193	275/38	6000												
6.94	171	202	2074/299	6000													
5.96	158	235	155/26	6000													
5.50	130	255	11/2	6000													
5.41	159	259	915/169	6000													
4.28	130	327	1870/437	6000													
3.34	130	419	825/247	6000													
C033	286.32	200	4.9	20615/72	6000												
	260.03	200	5.4	40565/156	6000												
	223.03	200	6.3	8029/36	6000												
	202.55	200	6.9	15799/78	6000												
	180.83	200	7.7	1085/6	6000												
	164.23	200	8.5	2135/13	6000												
	142.47	200	9.8	14105/99	6000												
	129.39	200	11	4270/33	6000												
	109.79	200	13	2635/24	6000												
	99.71	200	14	5185/52	6000												
	85.78	200	16	40145/468	6000												
	77.90	200	18	78995/1014	6000												
	64.05	200	22	18445/288	6000												
	58.17	200	24	36295/624	6000												
	55.25	200	25	11935/216	6000												
	50.18	200	28	23485/468	6000												
	48.22	200	29	434/9	6000												
43.79	200	32	1708/39	6000													
35.38	200	40	3255/92	6000													
32.13	200	44	19215/598	6000													

Legend see page 99

Type	i _{ges.}	SERVO adapter											Input unit													
		n _{1max}	Adapter size											n _{1max}	Input shaft [mm]											
			[min ⁻¹]	S92	S105	S114	S115	S130	S141	S142	S180	S189	S190		[min ⁻¹]	19x40	24x50	28x60	38x80	42x110	48x110	55x110				
C032	42.88	5000														3000										
	38.95	5000														3000										
	34.88	5000														3000										
	31.67	5000														3000										
	27.71	5000														3000										
	25.17	5000														3000										
	24.03	5000														3000										
	21.40	5000														3000										
	19.54	5000														3000										
	19.44	5000														3000										
	17.09	5000														3000										
	15.53	5000														3000										
	15.52	5000														3000										
	12.92	5000														3000										
	11.99	5000														3000										
	11.73	5000														3000										
	9.82	4200														3000										
	9.57	5000														3000										
	8.92	4200														3000										
	7.64	3600														3000										
	7.24	5000														3000										
	6.94	3600														3000										
	5.96	3200														3000										
	5.50	4200														3000										
	5.41	3200														3000										
	4.28	3600														3000										
	3.34	3200														3000										
C033	286.32	5000														-										
	260.03	5000														-										
	223.03	5000														3000										
	202.55	5000														3000										
	180.83	5000														3000										
	164.23	5000														3000										
	142.47	5000														3000										
	129.39	5000														3000										
	109.79	5000														3000										
	99.71	5000														3000										
	85.78	5000														3000										
	77.90	5000														3000										
	64.05	5000														3000										
	58.17	5000														3000										
	55.25	4600														3000										
	50.18	4600														3000										
	48.22	4200														3000										
	43.79	4200														3000										
	35.38	3600														3000										
	32.13	3600														3000										



Legend see page 99

Type	i_{ges}	M_{znom}	n_2	i_{exakt}	n_{1max}	IEC motor frame size												
						63	71	80	90	100	112	132	-	-	-	-	-	-
						IEC adapter												
						I63	I71	I80	I90	I100	I112	-	-	-	-	-	-	
NEMA adapter																		
		[Nm]	[min ⁻¹]			N56	N143/145	N182	N184	-	-	-	-	-	-	-		
C052	58.85	250	24	1177/20	6000													
2 stages $n_1=1400\text{ min}^{-1}$ Maximum torque 400 Nm	53.50	227	26	107/2	6000													
	48.13	337	29	385/8	6000													
	43.75	307	32	175/4	6000													
	38.00	400	37	38/1	6000													
	35.67	151	39	107/3	6000													
	34.55	400	41	380/11	6000													
	29.46	400	48	825/28	6000													
	29.17	204	48	175/6	6000													
	26.79	400	52	375/14	6000													
	24.12	400	58	627/26	6000													
	23.03	267	61	760/33	6000													
	21.92	400	64	285/13	6000													
	18.56	400	75	297/16	6000													
	17.86	267	78	125/7	6000													
	16.88	400	83	135/8	6000													
	14.62	267	96	190/13	6000													
	14.03	400	100	561/40	6000													
	12.75	400	110	51/4	6000													
	11.48	400	122	264/23	6000													
	11.25	267	124	45/4	6000													
	10.43	400	134	240/23	6000													
	9.31	386	150	121/13	6000													
	8.50	267	165	17/2	6000													
	8.46	365	165	110/13	6000													
	7.79	347	180	187/24	5600													
	7.08	328	198	85/12	5600													
	6.96	267	201	160/23	6000													
	6.31	306	222	341/54	5000													
	6.09	299	230	341/56	4800													
	5.74	289	244	155/27	5000													
	5.64	259	248	220/39	6000													
	5.54	283	253	155/28	4800													
4.72	230	296	85/18	5600														
3.83	200	366	310/81	5000														
3.69	195	379	155/42	4800														
C053	328.43	400	4.3	2299/7	6000													
3 stages $n_1=1400\text{ min}^{-1}$ Maximum torque 400 Nm	298.57	400	4.7	2090/7	6000													
	267.93	400	5.2	3751/14	6000													
	243.57	400	5.7	1705/7	6000													
	213.71	400	6.6	1496/7	6000													
	194.29	400	7.2	1360/7	6000													
	165.45	400	8.5	8107/49	6000													
	150.41	400	9.3	7370/49	6000													
	132.97	400	11	12100/91	6000													
	120.88	400	12	11000/91	6000													
	101.55	400	14	5687/56	6000													
	92.32	400	15	2585/28	6000													
	77.79	400	18	1089/14	6000													
	70.71	400	20	495/7	6000													
	61.63	400	23	9922/161	6000													
	56.02	400	25	9020/161	6000													
	49.20	400	28	4477/91	6000													
44.73	400	31	4070/91	6000														

Legend see page 99

Type	i _{ges.}	SERVO adapter											Input unit															
		n _{1max}	Adapter size											n _{1max}	Input shaft [mm]													
			[min ⁻¹]	S92	S105	S114	S115	S130	S141	S142	S180	S189	S190		[min ⁻¹]	19x40	24x50	28x60	38x80	42x110	48x110	55x110						
C052	58.85	5000													3000													
	53.50	5000														3000												
	48.13	5000														3000												
	43.75	5000														3000												
	38.00	5000														3000												
	35.67	5000														3000												
	34.55	5000														3000												
	29.46	5000														3000												
	29.17	5000														3000												
	26.79	5000														3000												
	24.12	5000														3000												
	23.03	5000														3000												
	21.92	5000														3000												
	18.56	5000														3000												
	17.86	5000														3000												
	16.88	5000														3000												
	14.62	5000														3000												
	14.03	4800														3000												
	12.75	4800														3000												
	11.48	4200														3000												
	11.25	5000														3000												
	10.43	4200														3000												
	9.31	3700														3000												
	8.50	4800														3000												
	8.46	3700														3000												
	7.79	3300														3000												
	7.08	3300														3000												
	6.96	4200														3000												
	6.31	3000														3000												
	6.09	2900														2900												
	5.74	3000														3000												
	5.64	3700														3000												
	5.54	2900														2900												
	4.72	3300														3000												
	3.83	3000														3000												
	3.69	2900														2900												
C053	328.43	5000													3000													
	298.57	5000														3000												
	267.93	5000														3000												
	243.57	5000														3000												
	213.71	5000														3000												
	194.29	5000														3000												
	165.45	5000														3000												
	150.41	5000														3000												
	132.97	5000														3000												
	120.88	5000														3000												
	101.55	5000														3000												
	92.32	5000														3000												
	77.79	4800														3000												
	70.71	4800														3000												
	61.63	4200														3000												
	56.02	4200														3000												
	49.20	3700														3000												
	44.73	3700														3000												

Legend see page 99

Type	i_{ges}	M_{znom}	n_2	i_{exakt}	n_{1max}	IEC motor frame size												
						63	71	80	90	100	112	132	-	-	-	-	-	-
						IEC adapter												
						I63	I71	I80	I90	I100	I112	-	-	-	-	-	-	
NEMA adapter																		
		[Nm]	[min ⁻¹]			N56	N143/145	N182	N184	-	-	-	-	-	-	-		
C062	60.00	420	23	60/1	6000													
	55.02	385	25	3081/56	6000													
	47.55	600	29	6800/143	6000													
	43.60	563	32	6715/154	6000													
	36.92	600	38	480/13	6000													
	33.86	600	41	237/7	6000													
	33.43	234	42	234/7	6000													
	30.30	600	46	5120/169	6000													
	27.78	600	50	2528/91	6000													
	26.49	342	53	2040/77	6000													
	23.46	600	60	305/13	6000													
	21.51	600	65	4819/224	6000													
	20.57	377	68	144/7	6000													
	17.85	600	78	232/13	6000													
	16.88	377	83	1536/91	6000													
	16.36	600	86	2291/140	6000													
	14.72	600	95	4400/299	6000													
	13.49	600	104	4345/322	6000													
	13.07	377	107	183/14	6000													
	12.07	600	116	2040/169	6000													
	11.07	600	126	4029/364	6000													
	10.26	600	137	400/39	5600													
	9.94	377	141	348/35	6000													
	9.40	589	149	395/42	5600													
	8.43	547	166	2960/351	5000													
	8.20	377	171	1320/161	6000													
	8.13	534	172	740/91	4800													
	7.73	517	181	2923/378	5000													
	7.46	504	188	2923/392	4800													
	6.73	377	208	612/91	6000													
	6.69	469	209	2000/299	4400													
	6.13	443	228	1975/322	4400													
	5.71	371	245	40/7	5600													
4.70	325	298	296/63	5000														
4.53	318	309	222/49	4800														
3.73	279	376	600/161	4400														
C063	375.71	600	3.7	83032/221	6000													
	344.51	600	4.1	819941/2380	6000													
	307.24	600	4.6	67900/221	6000													
	281.73	600	5.0	38315/136	6000													
	242.60	600	5.8	589760/2431	6000													
	222.46	600	6.3	291194/1309	6000													
	188.11	600	7.4	291000/1547	6000													
	172.49	600	8.1	574725/3332	6000													
	153.96	600	9.1	442320/2873	6000													
	141.17	600	9.9	436791/3094	6000													
	118.51	600	12	26190/221	6000													
	108.67	600	13	206901/1904	6000													
	89.54	600	16	1164/13	6000													
	82.10	600	17	22989/280	6000													
	73.28	600	19	372480/5083	6000													
	67.19	600	21	183912/2737	6000													
	59.42	600	24	170720/2873	6000													
54.49	600	26	84293/1547	6000														
49.74	600	28	1940/39	5600														
45.61	600	31	7663/168	5600														

Legend see page 99

Type	i _{ges.}	SERVO adapter											Input unit												
		n _{1max}	Adapter size											n _{1max}	Input shaft [mm]										
			[min ⁻¹]	S92	S105	S114	S115	S130	S141	S142	S180	S189	S190		[min ⁻¹]	19x40	24x50	28x60	38x80	42x110	48x110	55x110			
C062	60.00	5000													3000										
	55.02	5000													3000										
	47.55	5000													3000										
	43.60	5000													3000										
	36.92	5000													3000										
	33.86	5000													3000										
	33.43	5000													3000										
	30.30	5000													3000										
	27.78	5000													3000										
	26.49	5000													3000										
	23.46	5000													3000										
	21.51	5000													3000										
	20.57	5000													3000										
	17.85	5000													3000										
	16.88	5000													3000										
	16.36	5000													3000										
	14.72	4500													3000										
	13.49	4500													3000										
	13.07	5000													3000										
	12.07	3900													3000										
	11.07	3900													3000										
	10.26	3600													3000										
	9.94	5000													3000										
	9.40	3600													3000										
	8.43	3200													3000										
	8.20	4500													3000										
	8.13	3100													3000										
	7.73	3200													3000										
	7.46	3100													3000										
	6.73	3900													3000										
	6.69	2800													2800										
	6.13	2800													2800										
	5.71	3600													3000										
	4.70	3200													3000										
	4.53	3100													3000										
	3.73	2800													2800										
C063	375.71	5000													3000										
	344.51	5000													3000										
	307.24	5000													3000										
	281.73	5000													3000										
	242.60	5000													3000										
	222.46	5000													3000										
	188.11	5000													3000										
	172.49	5000													3000										
	153.96	5000													3000										
	141.17	5000													3000										
	118.51	5000													3000										
	108.67	5000													3000										
	89.54	5000													3000										
	82.10	5000													3000										
	73.28	4500													3000										
	67.19	4500													3000										
	59.42	3900													3000										
	54.49	3900													3000										
	49.74	3600													3000										
	45.61	3600													3000										

Legend see page 99

Type	$i_{ges.}$	M_{znomm}	n_2	i_{exakt}	n_{1max}	IEC motor frame size												
						63	71	80	90	100	112	132	160	-	-	-	-	-
						IEC adapter												
						I63	I71	I80	I90	I100	I112	I132	-	-	-	-	-	-
NEMA adapter																		
		[Nm]	[min ⁻¹]			N56	N143/145	N182	N184	N213/215	-	-	-	-	-	-		
C072	38.92	820	36	506/13	6000													
	35.41	820	40	5984/169	6000													
	30.55	820	46	1955/64	6000													
	27.79	820	50	1445/52	6000													
	23.58	802	59	943/40	6000													
	21.45	780	65	1394/65	6000													
	20.65	686	68	1342/65	6000													
	19.50	757	72	39/2	6000													
	17.74	736	79	408/23	6000													
	16.59	720	84	1725/104	6000													
	16.20	671	86	1037/64	6000													
	15.09	700	93	2550/169	6000													
	14.38	689	97	115/8	5600													
	13.08	670	107	170/13	5600													
	12.51	618	112	2501/200	6000													
	12.14	654	115	437/36	5000													
	11.71	647	120	1311/112	4800													
	11.04	637	127	1292/117	5000													
	10.65	630	131	969/91	4800													
	10.34	582	135	2379/230	6000													
10.00	617	140	10/1	4400														
9.10	600	154	2720/299	4400														
8.80	552	159	915/104	6000														
7.63	528	184	61/8	5600														
6.44	500	217	1159/180	5000														
6.21	494	225	3477/560	4800														
5.30	470	264	122/23	4400														
C073	351.33	820	4.0	14053/40	6000													
	319.60	820	4.4	1598/5	6000													
	278.44	820	5.0	18377/66	6000													
	253.30	820	5.5	108664/429	6000													
	216.20	820	6.5	1081/5	6000													
	196.68	820	7.1	12784/65	6000													
	177.39	820	7.9	34592/195	6000													
	161.38	820	8.7	409088/2535	6000													
	137.38	820	10	65941/480	6000													
	124.97	820	11	48739/390	6000													
	104.50	820	13	31349/300	6000													
	95.06	820	15	92684/975	6000													
	86.17	820	16	517/6	6000													
	78.39	820	18	70312/897	6000													
	70.68	820	20	18377/260	6000													
	64.30	820	22	54332/845	6000													
	60.06	820	23	1081/18	5600													
	54.63	820	26	6392/117	5600													
	49.38	820	28	39997/810	5000													
	47.62	819	29	39997/840	4800													
44.92	794	31	236504/5265	5000														
43.32	782	32	59126/1365	4800														
39.17	765	36	235/6	4400														
35.63	726	39	31960/897	4400														

Legend see page 99

Type	i _{ges.}	SERVO adapter											Input unit												
		n _{1max}	Adapter size											n _{1max}	Input shaft [mm]										
			[min ⁻¹]	S92	S105	S114	S115	S130	S141	S142	S180	S189	S190		[min ⁻¹]	19x40	24x50	28x60	38x80	42x110	48x110	55x110			
C072	38.92	5000													2500										
	35.41	5000													2500										
	30.55	5000													2500										
	27.79	5000													2500										
	23.58	5000													2500										
	21.45	5000													2500										
	20.65	5000													2500										
	19.50	4700													2500										
	17.74	4700													2500										
	16.59	4200													2500										
	16.20	5000													2500										
	15.09	4200													2500										
	14.38	3700													2500										
	13.08	3700													2500										
	12.51	5000													2500										
	12.14	3300													2500										
	11.71	3200													2500										
	11.04	3300													2500										
	10.65	3200													2500										
	10.34	4700													2500										
	10.00	2900													2500										
	9.10	2900													2500										
	8.80	4200													2500										
	7.63	3700													2500										
	6.44	3300													2500										
	6.21	3200													2500										
	5.30	2900													2500										
C073	351.33	5000													3000										
	319.60	5000													3000										
	278.44	5000													3000										
	253.30	5000													3000										
	216.20	5000													2500										
	196.68	5000													2500										
	177.39	5000													2500										
	161.38	5000													2500										
	137.38	5000													2500										
	124.97	5000													2500										
	104.50	5000													2500										
	95.06	5000													2500										
	86.17	4700													2500										
	78.39	4700													2500										
	70.68	4200													2500										
	64.30	4200													2500										
	60.06	3700													2500										
	54.63	3700													2500										
	49.38	3300													2500										
	47.62	3200													2500										
	44.92	3300													2500										
	43.32	3200													2500										
	39.17	2900													2500										
	35.63	2900													2500										



Legend see page 99

Type	i_{ges}	M_{znom}	n_2	i_{exakt}	n_{1max}	IEC motor frame size												
						63	71	80	90	100	112	132	160	180	-	-	-	-
						IEC adapter												
						I63	I71	I80	I90	I100	I112	I132	I160	-	-	-	-	-
NEMA adapter																		
		[Nm]	[min ⁻¹]			N56	N143/145	N182	N184	N213/215	N254/256	-	-	-	-	-		
C082	54.18	1550	26	4930/91	6000													
2 stages $n_1=1400\text{ min}^{-1}$ Maximum torque 1550 Nm	42.88	1550	33	9605/224	6000													
	37.44	1550	37	3145/84	6000													
	33.09	1550	42	1853/56	6000													
	31.23	1117	45	406/13	6000													
	27.98	1549	50	4505/161	6000													
	24.72	1120	57	791/32	6000													
	24.05	1479	58	8755/364	6000													
	21.58	1316	65	259/12	6000													
	21.00	1418	67	7055/336	5600													
	19.08	1306	73	763/40	6000													
	17.99	1353	78	3400/189	5000													
	17.35	1338	81	850/49	4800													
	16.13	1298	87	371/23	6000													
	15.31	1288	91	2465/161	4400													
	13.87	1233	101	721/52	6000													
	12.84	1220	109	4675/364	3900													
	12.10	1177	116	581/48	5600													
	10.82	1158	129	3485/322	3500													
	10.37	1117	135	280/27	5000													
	10.00	1103	140	10/1	4800													
8.87	1090	158	1615/182	3100														
8.83	1057	159	203/23	4400														
7.40	996	189	385/52	3900														
6.24	939	224	287/46	3500														
5.12	878	274	133/26	3100														
C083	368.94	1550	3.8	909075/2464	6000													
3 stages	284.84	1550	4.9	893265/3136	6000													
	238.89	1550	5.9	86955/364	6000													
	187.48	1550	7.5	671925/3584	6000													
	144.69	1550	9.7	64821/448	6000													
$n_1=1400\text{ min}^{-1}$ Maximum torque 1550 Nm	119.68	1550	12	308295/2576	6000													
	101.80	1550	14	592875/5824	6000													
	88.23	1550	16	39525/448	5600													
	74.50	1550	19	50065/672	5000													
	71.84	1550	19	450585/6272	4800													
61.37	1550	23	39525/644	4400														

Legend see page 99

Type	i _{ges.}	SERVO adapter											Input unit									
		n _{1max}	Adapter size											n _{1max}	Input shaft [mm]							
			[min ⁻¹]	S92	S105	S114	S115	S130	S141	S142	S180	S189	S190		[min ⁻¹]	19x40	24x50	28x60	38x80	42x110	48x110	55x110
C082	54.18	5000												2500								
	42.88	5000												2500								
	37.44	5000												2500								
	33.09	5000												2500								
	31.23	5000												2500								
	27.98	5000												2500								
	24.72	5000												2500								
	24.05	4600												2500								
	21.58	5000												2500								
	21.00	4200												2500								
	19.08	5000												2500								
	17.99	3700												2500								
	17.35	3600												2500								
	16.13	5000												2500								
	15.31	3300												2500								
	13.87	4600												2500								
	12.84	2900												2500								
	12.10	4200												2500								
	10.82	2600												2500								
	10.37	3700												2500								
	10.00	3600												2500								
	8.87	-												2300								
	8.83	3300												2500								
	7.40	2900												2500								
	6.24	2600												2500								
	5.12	-												2300								
C083	368.94	5000												3000								
	284.84	5000												2500								
	238.89	5000												2500								
	187.48	5000												2500								
	144.69	5000												2500								
	119.68	5000												2500								
	101.80	4600												2500								
	88.23	4200												2500								
	74.50	3700												2500								
	71.84	3600												2500								
	61.37	3300												2500								



Legend see page 99

Type	i_{ges}	M_{znom}	n_2	i_{exakt}	n_{1max}	IEC motor frame size												
						63	71	80	90	100	112	132	160	180	200	-	-	-
						IEC adapter												
						I63	I71	I80	I90	I100	I112	I132	I160	I180	-	-	-	-
NEMA adapter																		
		[Nm]	[min ⁻¹]			N56	N143/145	N182	N184	N213/215	N254/256	N284/286	-	-	-	-		
C092	39.60	2970	35	198/5	6000													
	33.48	2992	42	770/23	6000													
	28.98	2981	48	1507/52	6000													
	25.67	3000	55	77/3	5600													
	22.58	1694	62	1242/55	6000													
	22.20	3000	63	1199/54	5000													
	21.41	2569	65	1199/56	4800													
	19.09	1706	73	210/11	6000													
	18.89	3000	74	869/46	4400													
	16.53	1700	85	9453/572	6000													
	16.08	3000	87	209/13	3900													
	14.64	1819	96	161/11	5600													
	13.87	3000	101	319/23	3500													
	12.66	1819	111	2507/198	5000													
	12.21	1465	115	7521/616	4800													
	11.63	2990	120	605/52	3100													
	10.77	1819	130	237/22	4400													
	9.46	2805	148	473/50	2700													
	9.17	1819	153	1311/143	3900													
	7.91	1819	177	87/11	3500													
7.40	2600	189	429/58	2300														
6.63	1819	211	345/52	3100														
5.39	1819	260	2967/550	2700														
4.22	1819	332	2691/638	2300														
C093	306.73	3000	4.6	7975/26	6000													
	242.77	3000	5.8	31075/128	6000													
	211.98	3000	6.6	10175/48	6000													
	187.34	3000	7.5	5995/32	6000													
	158.42	3000	8.8	14575/92	6000													
	154.24	3000	9.1	14036/91	6000													
	136.18	3000	10	28325/208	6000													
	122.08	3000	11	13673/112	6000													
	118.88	3000	12	22825/192	5600													
	106.60	3000	13	4477/42	6000													
	101.85	3000	14	2750/27	5000													
	98.21	3000	14	1375/14	4800													
	94.21	3000	15	13189/140	6000													
	86.68	3000	16	7975/92	4400													
	79.66	3000	18	12826/161	6000													
	72.72	3000	19	15125/208	3900													
	68.48	3000	20	12463/182	6000													
	61.28	3000	23	11275/184	3500													
	59.78	3000	23	10043/168	5600													
	51.22	3000	27	9680/189	5000													
50.24	2923	28	5225/104	3100														
49.39	2995	28	2420/49	4800														
43.59	2859	32	7018/161	4400														
36.57	2677	38	6655/182	3900														
30.81	2510	45	4961/161	3500														
25.26	2331	55	2299/91	3100														

Legend see page 99

Type	i _{ges.}	SERVO adapter											Input unit												
		n _{1max}	Adapter size											n _{1max}	Input shaft [mm]										
			[min ⁻¹]	S92	S105	S114	S115	S130	S141	S142	S180	S189	S190		[min ⁻¹]	19x40	24x50	28x60	38x80	42x110	48x110	55x110			
C092	39.60	5000													2500										
	33.48	5000													2500										
	28.98	5000													2500										
	25.67	4500													2500										
	22.58	5000													2500										
	22.20	4000													2500										
	21.41	3900													2500										
	19.09	5000													2500										
	18.89	3600													2500										
	16.53	5000													2500										
	16.08	3100													2500										
	14.64	4500													2500										
	13.87	2800													2500										
	12.66	4000													2500										
	12.21	3900													2500										
	11.63	-													2500										
	10.77	3600													2500										
	9.46	-													2200										
	9.17	3100													2500										
	7.91	2800													2500										
	7.40	-													1900										
	6.63	-													2500										
	5.39	-													2200										
	4.22	-													1900										
C093	306.73	5000													2500										
	242.77	5000													2500										
	211.98	5000													2500										
	187.34	5000													2500										
	158.42	5000													2500										
	154.24	5000													2500										
	136.18	5000													2500										
	122.08	5000													2500										
	118.88	4500													2500										
	106.60	5000													2500										
	101.85	4000													2500										
	98.21	3900													2500										
	94.21	5000													2500										
	86.68	3600													2500										
	79.66	5000													2500										
	72.72	3100													2500										
	68.48	5000													2500										
	61.28	2800													2500										
	59.78	4500													2500										
	51.22	4000													2500										
	50.24	0													2500										
	49.39	3900													2500										
	43.59	3600													2500										
	36.57	3100													2500										
	30.81	2800													2500										
	25.26	0													2500										

Legend see page 99

Type	$i_{ges.}$	M_{znom}	n_2	i_{exakt}	n_{1max}	IEC motor frame size												
						63	71	80	90	100	112	132	-	-	-	-	-	-
						IEC adapter												
						I63	I71	I80	I90	I100	I112	I132	-	-	-	-	-	-
NEMA adapter																		
		[Nm]	[min ⁻¹]			N56	N143/145	N182	N184	N213/215	-	-	-	-	-	-		
C094	3282.02	3000	0.43	170665/52	6000													
	2683.89	3000	0.52	279125/104	6000													
	2597.68	3000	0.54	665005/256	6000													
	2268.18	3000	0.62	217745/96	6000													
	2124.27	3000	0.66	1087625/512	6000													
	2119.23	3000	0.66	27550/13	6000													
	1854.82	3000	0.75	356125/192	6000													
	1677.34	3000	0.83	53675/32	6000													
	1643.20	3000	0.85	598125/364	6000													
	1464.58	3000	0.96	17575/12	6000													
	1344.90	3000	1.0	454575/338	6000													
	1300.57	3000	1.1	2330625/1792	6000													
	1135.60	3000	1.2	254375/224	6000													
	1064.47	3000	1.3	1771275/1664	6000													
	1035.22	3000	1.4	215325/208	6000													
4 stages	929.45	3000	1.5	193325/208	6000													
	819.36	3000	1.7	839025/1024	6000													
	782.16	3000	1.8	81345/104	6000													
$n_1=1400 \text{ min}^{-1}$	715.43	3000	2.0	91575/128	6000													
	640.13	3000	2.2	191400/299	6000													
Maximum torque 3000 Nm	619.07	3000	2.3	316965/512	6000													
	540.55	3000	2.6	34595/64	6000													
	519.08	3000	2.7	87725/169	6000													
	506.66	3000	2.8	93225/184	6000													
	442.39	3000	3.2	10175/23	6000													
	434.54	3000	3.2	135575/312	5600													
	410.85	3000	3.4	341825/832	6000													
	358.73	3000	3.9	111925/312	6000													
	352.17	3000	4.0	247225/702	5000													
	343.93	3000	4.1	528275/1536	5600													
	339.59	3000	4.1	247225/728	4800													
	300.30	3000	4.7	172975/576	5600													
	278.74	3000	5.0	963325/3456	5000													
	268.78	3000	5.2	963325/3584	4800													
	243.38	3000	5.8	315425/1296	5000													
	234.69	3000	6.0	315425/1344	4800													

Legend see page 99

Type	i _{ges.}	SERVO adapter											Input unit																
		n _{1max}	Adapter size											n _{1max}	Input shaft [mm]														
			[min ⁻¹]	S92	S105	S114	S115	S130	S141	S142	S180	S189	S190		[min ⁻¹]	19x40	24x50	28x60	38x80	42x110	48x110	55x110							
C094	3282.02	5000														3000													
	2683.89	5000														3000													
	2597.68	5000														3000													
	2268.18	5000														3000													
	2124.27	5000														3000													
	2119.23	5000														3000													
	1854.82	5000														3000													
	1677.34	5000														3000													
	1643.20	5000														3000													
	1464.58	5000														3000													
	1344.90	5000														3000													
	1300.57	5000														3000													
	1135.60	5000														3000													
	1064.47	5000														3000													
	1035.22	5000														3000													
	929.45	5000														3000													
	819.36	5000														3000													
	782.16	5000														3000													
	715.43	5000														3000													
	640.13	5000														3000													
	619.07	5000														3000													
	540.55	5000														3000													
	519.08	5000														3000													
	506.66	5000														3000													
	442.39	5000														3000													
	434.54	4500														3000													
	410.85	5000														3000													
	358.73	5000														3000													
	352.17	4000														3000													
	343.93	4500														3000													
	339.59	3900														3000													
	300.30	4500														3000													
	278.74	4000														3000													
	268.78	3900														3000													
	243.38	4000														3000													
	234.69	3900														3000													



Legend see page 99

Type	i_{ges}	M_{znom}	n_2	i_{exakt}	n_{1max}	IEC motor frame size												
						63	71	80	90	100	112	132	160	180	200	-	-	-
						IEC adapter												
						I63	I71	I80	I90	I100	I112	I132	I160	I180	-	-	-	-
NEMA adapter																		
		[Nm]	[min ⁻¹]			N56	N143/145	N182	N184	N213/215	N254/256	N284/286	-	-	-	-		
C102	33.01	3695	42	6437/195	6000													
	29.16	4500	48	1312/45	5600													
	25.31	4500	55	2050/81	5000													
	24.40	2930	57	1025/42	4800													
	21.87	4500	64	328/15	4400													
	19.17	2146	73	11461/598	6000													
	18.71	4500	75	3649/195	3900													
	16.93	2698	83	1168/69	5600													
	16.16	4500	87	5576/345	3500													
	14.69	2698	95	9125/621	5000													
	14.17	1701	99	9125/644	4800													
	13.67	4500	102	41/3	3100													
	12.70	2698	110	292/23	4400													
	11.15	4500	126	1394/125	2700													
	10.86	2698	129	6497/598	3900													
	9.38	2698	149	4964/529	3500													
	9.05	4500	155	1312/145	2300													
	7.93	2698	176	365/46	3100													
	7.22	4500	194	1517/210	2100													
	6.47	2698	216	3723/575	2700													
5.25	2698	266	3504/667	2300														
4.19	2698	334	2701/644	2100														
C103	246.43	4500	5.7	141696/575	6000													
	208.33	4500	6.7	110208/529	6000													
	180.35	4500	7.8	269616/1495	6000													
	159.72	4500	8.8	18368/115	5600													
	138.17	4500	10	143008/1035	5000													
	133.24	4500	11	107256/805	4800													
	122.02	4500	11	15252/125	6000													
	117.56	4500	12	310944/2645	4400													
	103.15	4500	14	35588/345	6000													
	100.05	4500	14	149568/1495	3900													
	89.30	4500	16	174127/1950	6000													
	86.31	4500	16	228288/2645	3500													
	79.08	4500	18	17794/225	5600													
	72.40	4500	19	21648/299	3100													
	68.41	4500	20	138539/2025	5000													
	65.97	4500	21	138539/2100	4800													
	58.87	4500	24	169248/2875	2700													
	58.21	4500	24	100409/1725	4400													
	49.54	4500	28	48298/975	3900													
	46.03	4500	30	153504/3335	2300													
42.74	4500	33	73718/1725	3500														
35.85	4500	39	13981/390	3100														
29.15	4500	48	54653/1875	2700														
22.79	4500	61	16523/725	2300														

Legend see page 99

Type	i _{ges.}	SERVO adapter											Input unit									
		n _{1max}	Adapter size											n _{1max}	Input shaft [mm]							
			[min ⁻¹]	S92	S105	S114	S115	S130	S141	S142	S180	S189	S190		[min ⁻¹]	19x40	24x50	28x60	38x80	42x110	48x110	55x110
C102	33.01	5000												2500								
	29.16	4800												2500								
	25.31	4200												2500								
	24.40	4100												2500								
	21.87	3700												2500								
	19.17	5000												2500								
	18.71	3300												2500								
	16.93	4800												2500								
	16.16	3000												2500								
	14.69	4200												2500								
	14.17	4100												2500								
	13.67	-												2500								
	12.70	3700												2500								
	11.15	-												2300								
	10.86	3300												2500								
	9.38	3000												2500								
	9.05	-												2000								
	7.93	-												2500								
	7.22	-												1800								
	6.47	-												2300								
	5.25	-												2000								
	4.19	-												1800								
C103	246.43	5000												2500								
	208.33	5000												2500								
	180.35	5000												2500								
	159.72	4800												2500								
	138.17	4200												2500								
	133.24	4100												2500								
	122.02	5000												2500								
	117.56	3700												2500								
	103.15	5000												2500								
	100.05	3300												2500								
	89.30	5000												2500								
	86.31	3000												2500								
	79.08	4800												2500								
	72.40	-												2500								
	68.41	4200												2500								
	65.97	4100												2500								
	58.87	-												2300								
	58.21	3700												2500								
	49.54	3300												2500								
	46.03	-												2000								
	42.74	3000												2500								
	35.85	-												2500								
	29.15	-												2300								
	22.79	-												2000								

Legend see page 99

Type	i_{ges}	M_{znom}	n_2	i_{exakt}	n_{1max}	IEC motor frame size												
						63	71	80	90	100	112	132	-	-	-	-	-	-
						IEC adapter												
						I63	I71	I80	I90	I100	I112	I132	-	-	-	-	-	-
NEMA adapter																		
		[Nm]	[min ⁻¹]			N56	N143/145	N182	N184	N213/215	-	-	-	-	-	-		
C104	2636.78	4500	0.53	7580736/2875	6000													
4 stages	2229.16	4500	0.63	5896128/2645	6000													
	2156.24	4500	0.65	247968/115	6000													
	1822.91	4500	0.77	964320/529	6000													
	1702.59	4500	0.82	10768896/6325	6000													
	1439.39	4500	0.97	8375808/5819	6000													
	1320.15	4500	1.1	212544/161	6000													
	1116.07	4500	1.3	590400/529	6000													
	1080.49	4500	1.3	8076672/7475	6000													
	913.46	4500	1.5	6281856/6877	6000													
	831.69	4500	1.7	478224/575	6000													
	703.12	4500	2.0	371952/529	6000													
	Maximum torque 4500 Nm	628.39	4500	2.2	1806624/2875	6000												
		531.25	4500	2.6	1405152/2645	6000												
		514.28	4500	2.7	6801408/13225	6000												
		434.78	4500	3.2	5289984/12167	6000												
		417.03	4500	3.4	3117312/7475	6000												
352.56		4500	4.0	2424576/6877	6000													
349.11		4500	4.0	200736/575	5600													
295.14		4500	4.7	156128/529	5600													
282.94		4500	4.9	162688/575	5000													
272.83		4500	5.1	1098144/4025	4800													
239.20	4500	5.9	1138816/4761	5000														
230.65	4500	6.1	122016/529	4800														

Legend see page 99

Type	i _{ges.}	SERVO adapter											Input unit													
		n _{1max}	Adapter size											n _{1max}	Input shaft [mm]											
			[min ⁻¹]	S92	S105	S114	S115	S130	S141	S142	S180	S189	S190		[min ⁻¹]	19x40	24x50	28x60	38x80	42x110	48x110	55x110				
C104	2636.78	5000														3000										
	2229.16	5000														3000										
	2156.24	5000														3000										
	1822.91	5000														3000										
	1702.59	5000														3000										
	1439.39	5000														3000										
	1320.15	5000														3000										
	1116.07	5000														3000										
	1080.49	5000														3000										
	913.46	5000														3000										
	831.69	5000														3000										
	703.12	5000														3000										
	628.39	5000														3000										
	531.25	5000														3000										
	514.28	5000														3000										
	434.78	5000														3000										
	417.03	5000														3000										
	352.56	5000														3000										
	349.11	4800														3000										
	295.14	4800														3000										
	282.94	4200														3000										
	272.83	4100														3000										
	239.20	4200														3000										
	230.65	4100														3000										

Legend see page 99

Type	i_{ges}	M_{znom}	n_2	i_{exakt}	n_{1max}	IEC motor frame size													
						63	71	80	90	100	112	132	160	180	200	225	-	-	
						IEC adapter													
						I63	I71	I80	I90	I100	I112	I132	I160	I180	I200	I225	-	-	
NEMA adapter																			
		[Nm]	[min ⁻¹]			N56	N143/145	N182	N184	N213/215	N254/256	N284/286	N324/326	N364	-	-			
C132	35.51	5325	39	2983/84	5600														
	30.96	5885	45	836/27	5000														
	29.86	3583	47	209/7	4800														
	26.67	7730	52	4294/161	4400														
	22.97	8000	61	2090/91	3900														
	20.22	3032	69	2669/132	5600														
	20.06	8000	70	3230/161	3500														
	17.63	3351	79	476/27	5000														
	17.33	8000	81	1577/91	3100														
	17.00	2040	82	17/1	4800														
	15.19	4401	92	3842/253	4400														
	14.33	8000	98	2508/175	2700														
	13.08	4884	107	170/13	3900														
	11.79	8000	119	342/29	2300														
	11.42	4945	123	2890/253	3500														
	9.87	4945	142	1411/143	3100														
	9.69	8000	144	475/49	2100														
	8.23	8000	170	1786/217	1900														
	8.16	4945	172	204/25	2700														
	7.03	8000	199	836/119	1700														
6.71	4945	208	2142/319	2300															
5.52	4945	254	425/77	2100															
4.69	4945	299	1598/341	1900															
4.00	4945	350	4/1	1700															
C133	204.88	8000	6.8	74575/364	6000														
	180.95	8000	7.7	3800/21	5600														
	157.08	8000	8.9	59375/378	5000														
	151.47	8000	9.2	59375/392	4800														
	135.71	8000	10	950/7	4400														
	116.14	8000	12	42275/364	3900														
	101.85	8000	14	259521/2548	6000														
	100.31	8000	14	16150/161	3500														
	89.96	8000	16	4408/49	5600														
	84.82	8000	17	2375/28	3100														
	78.09	8000	18	68875/882	5000														
	75.30	8000	19	206625/2744	4800														
	69.21	8000	20	969/14	2700														
	67.47	8000	21	3306/49	4400														
	57.74	8000	24	147117/2548	3900														
	56.16	8000	25	11400/203	2300														
	49.87	8000	28	56202/1127	3500														
	44.83	8000	31	17575/392	2100														
	42.17	8000	33	8265/196	3100														
	34.41	8000	41	84303/2450	2700														
27.92	8000	50	1368/49	2300															
22.29	8000	63	61161/2744	2100															

Legend see page 99

Type	i _{ges.}	SERVO adapter											Input unit											
		n _{1max}	Adapter size											n _{1max}	Input shaft [mm]									
			[min ⁻¹]	S92	S105	S114	S115	S130	S141	S142	S180	S189	S190		[min ⁻¹]	19x40	24x50	28x60	38x80	42x110	48x110	55x110		
C132	35.51	5000												2500										
	30.96	4500												2500										
	29.86	4400												2500										
	26.67	4000												2500										
	22.97	3500												2500										
	20.22	5000												2500										
	20.06	3200												1800										
	17.63	4500												2500										
	17.33	-												1800										
	17.00	4400												2500										
	15.19	4000												2500										
	14.33	-												1800										
	13.08	3500												2500										
	11.79	-												1800										
	11.42	3200												1800										
	9.87	-												1800										
	9.69	-												1800										
	8.23	-												1700										
	8.16	-												1800										
	7.03	-												1500										
	6.71	-												1800										
	5.52	-												1800										
	4.69	-												1700										
	4.00	-												1500										
C133	204.88	5000												2500										
	180.95	5000												2500										
	157.08	4500												2500										
	151.47	4400												2500										
	135.71	4000												2500										
	116.14	3500												2500										
	101.85	5000												2500										
	100.31	3200												1800										
	89.96	5000												2500										
	84.82	-												1800										
	78.09	4500												2500										
	75.30	4400												2500										
	69.21	-												1800										
	67.47	4000												2500										
	57.74	3500												2500										
	56.16	-												1800										
	49.87	3200												1800										
	44.83	-												1800										
	42.17	-												1800										
	34.41	-												1800										
	27.92	-												1800										
	22.29	-												1800										



Legend see page 99

Type	i_{ges}	M_{znom}	n_2	i_{exakt}	n_{1max}	IEC motor frame size												
						63	71	80	90	100	112	132	160	-	-	-	-	-
						IEC adapter												
						I63	I71	I80	I90	I100	I112	I132	I160	-	-	-	-	-
NEMA adapter																		
		[Nm]	[min ⁻¹]			N56	N143/145	N182	N184	N213/215	N254/256	-	-	-	-	-		
C134	1891.77	8000	0.74	437000/231	6000													
	1642.17	8000	0.85	6828125/4158	6000													
	1460.54	8000	0.96	214700/147	6000													
	1418.83	8000	0.99	109250/77	6000													
	1267.83	8000	1.1	6709375/5292	6000													
	1224.91	8000	1.1	334400/273	6000													
	1095.41	8000	1.3	53675/49	6000													
	1063.29	8000	1.3	2612500/2457	6000													
	961.31	8000	1.5	40375/42	6000													
	918.68	8000	1.5	83600/91	6000													
	834.47	8000	1.7	5046875/6048	6000													
	741.90	8000	1.9	15580/21	6000													
	720.98	8000	1.9	40375/56	6000													
	644.01	8000	2.2	486875/756	6000													
4 stages	613.66	8000	2.3	98800/161	6000													
	556.43	8000	2.5	3895/7	6000													
$n_1=1400 \text{ min}^{-1}$	532.69	8000	2.6	771875/1449	6000													
	521.98	8000	2.7	47500/91	6000													
	460.25	8000	3.0	74100/161	6000													
Maximum torque 8000 Nm	453.11	8000	3.1	1484375/3276	6000													
	452.38	8000	3.1	9500/21	5600													
	392.69	8000	3.6	296875/756	5600													
	391.48	8000	3.6	35625/91	6000													
	382.01	8000	3.7	72200/189	5000													
	368.37	8000	3.8	18050/49	4800													
	339.29	8000	4.1	2375/7	5600													
	331.61	8000	4.2	1128125/3402	5000													
	319.76	8000	4.4	1128125/3528	4800													
	314.70	8000	4.4	152000/483	4400													
	286.51	8000	4.9	18050/63	5000													
	276.28	8000	5.1	27075/98	4800													
	273.18	8000	5.1	1187500/4347	4400													
	236.02	8000	5.9	38000/161	4400													

Legend see page 99

Type	i _{ges.}	SERVO adapter											Input unit												
		n _{1max}	Adapter size											n _{1max}	Input shaft [mm]										
			[min ⁻¹]	S92	S105	S114	S115	S130	S141	S142	S180	S189	S190		[min ⁻¹]	19x40	24x50	28x60	38x80	42x110	48x110	55x110			
C134	1891.77	5000													3000										
	1642.17	5000													3000										
	1460.54	5000													2500										
	1418.83	5000													3000										
	1267.83	5000													2500										
	1224.91	5000													2500										
	1095.41	5000													2500										
	1063.29	5000													2500										
	961.31	5000													2500										
	918.68	5000													2500										
	834.47	5000													2500										
	741.90	5000													2500										
	720.98	5000													2500										
	644.01	5000													2500										
	613.66	5000													2500										
	556.43	5000													2500										
	532.69	5000													2500										
	521.98	5000													2500										
	460.25	5000													2500										
	453.11	5000													2500										
	452.38	5000													2500										
	392.69	5000													2500										
	391.48	5000													2500										
	382.01	4500													2500										
	368.37	4400													2500										
	339.29	5000													2500										
	331.61	4500													2500										
	319.76	4400													2500										
	314.70	4000													2500										
	286.51	4500													2500										
	276.28	4400													2500										
	273.18	4000													2500										
	236.02	4000													2500										



Legend see page 99

Type	i_{ges}	M_{znom}	n_2	i_{exakt}	n_{1max}	IEC motor frame size													
						63	71	80	90	100	112	132	160	180	200	225	-	-	
						IEC adapter													
						I63	I71	I80	I90	I100	I112	I132	I160	I180	I200	I225	I250	-	
NEMA adapter																			
		[Nm]	[min ⁻¹]			N56	N143/145	N182	N184	N213/215	N254/256	N284/286	N324/326	N364	-	-			
C142	37.48	7123	37	1012/27	5000														
	32.28	9361	43	1485/46	4400														
	27.92	11759	50	363/13	3900														
	24.63	13000	57	1133/46	3500														
	21.37	4062	66	2116/99	5000														
	21.15	13000	66	275/13	3100														
	18.41	5338	76	405/22	4400														
	17.60	13000	80	88/5	2700														
	15.92	6706	88	207/13	3900														
	14.60	13000	96	847/58	2300														
	14.05	8155	100	309/22	3500														
	12.18	13000	115	341/28	2100														
	12.06	8032	116	1725/143	3100														
	10.47	13000	134	649/62	1900														
	10.04	9095	139	552/55	2700														
	9.06	13000	155	154/17	1700														
	8.33	9017	168	483/58	2300														
	6.94	9095	202	2139/308	2100														
5.97	9095	235	4071/682	1900															
5.17	8816	271	966/187	1700															
C143	206.88	13000	6.8	39721/192	5600														
	180.38	13000	7.8	19481/108	5000														
	173.94	13000	8.0	2783/16	4800														
	155.38	13000	9.0	1243/8	4400														
	133.80	13000	10	13915/104	3900														
	116.88	13000	12	935/8	3500														
	113.27	13000	12	146795/1296	5600														
	100.96	13000	14	20999/208	3100														
	98.76	13000	14	71995/729	5000														
	95.23	11428	15	10285/108	4800														
	85.07	13000	16	105655/1242	4400														
	83.49	13000	17	8349/100	2700														
	73.25	13000	19	51425/702	3900														
	68.70	13000	20	15939/232	2300														
	63.99	13000	22	79475/1242	3500														
	56.47	13000	25	6325/112	2100														
	55.27	13000	25	77605/1404	3100														
	47.95	13000	29	11891/248	1900														
45.71	13000	31	2057/45	2700															
40.93	13000	34	2783/68	1700															
37.61	13000	37	6545/174	2300															
30.92	12705	45	23375/756	2100															
26.25	12096	53	43945/1674	1900															
22.41	11535	62	605/27	1700															

Legend see page 99

Type	i _{ges.}	SERVO adapter											Input unit											
		n _{1max}	Adapter size											n _{1max}	Input shaft [mm]									
			[min ⁻¹]	S92	S105	S114	S115	S130	S141	S142	S180	S189	S190		[min ⁻¹]	19x40	24x50	28x60	38x80	42x110	48x110	55x110		
C142	37.48	4800												2500										
	32.28	4200												2500										
	27.92	3700												2500										
	24.63	3400												1800										
	21.37	4800												2500										
	21.15	-												1800										
	18.41	4200												2500										
	17.60	-												1800										
	15.92	3700												2500										
	14.60	-												1800										
	14.05	3400												1800										
	12.18	-												1800										
	12.06	-												1800										
	10.47	-												1800										
	10.04	-												1800										
	9.06	-												1600										
	8.33	-												1800										
	6.94	-												1800										
	5.97	-												1800										
	5.17	-												1600										
C143	206.88	5000												2500										
	180.38	4800												2500										
	173.94	4600												2500										
	155.38	4200												2500										
	133.80	3700												2500										
	116.88	3400												1800										
	113.27	5000												2500										
	100.96	-												1800										
	98.76	4800												2500										
	95.23	4600												2500										
	85.07	4200												2500										
	83.49	-												1800										
	73.25	3700												2500										
	68.70	-												1800										
	63.99	3400												1800										
	56.47	-												1800										
	55.27	-												1800										
	47.95	-												1800										
	45.71	-												1800										
	40.93	-												1600										
	37.61	-												1800										
	30.92	-												1800										
	26.25	-												1800										
	22.41	-												1600										

Legend see page 99

Type	i_{ges}	M_{znom}	n_2	i_{exakt}	n_{1max}	IEC motor frame size												
						63	71	80	90	100	112	132	160	-	-	-	-	-
						IEC adapter												
						I63	I71	I80	I90	I100	I112	I132	I160	-	-	-	-	-
NEMA adapter																		
		[Nm]	[min ⁻¹]			N56	N143/145	N182	N184	N213/215	N254/256	-	-	-	-	-		
C144	2162.84	13000	0.65	415265/192	6000													
	1885.79	13000	0.74	203665/108	6000													
	1669.82	13000	0.84	4488473/2688	6000													
	1624.38	13000	0.86	12995/8	6000													
	1455.92	13000	0.96	314479/216	6000													
	1400.42	13000	1.0	436931/312	6000													
	1398.80	13000	1.0	145475/104	6000													
	1254.10	13000	1.1	140459/112	6000													
	1221.03	13000	1.1	428582/351	6000													
	1099.05	13000	1.3	3376285/3072	6000													
	1079.94	13000	1.3	1572395/1456	6000													
	1051.77	13000	1.3	13673/13	6000													
	958.27	13000	1.5	1655885/1728	6000													
	905.71	13000	1.5	153065/169	6000													
	848.21	13000	1.7	1628561/1920	6000													
	825.43	13000	1.7	105655/128	6000													
	739.56	13000	1.9	798721/1080	6000													
	710.80	13000	2.0	1182775/1664	6000													
	701.59	13000	2.0	22451/32	6000													
4 stages	637.04	13000	2.2	50963/80	6000													
	611.72	13000	2.3	11011/18	6000													
$n_1=1400\text{ min}^{-1}$	596.77	13000	2.3	993025/1664	6000													
	548.57	13000	2.6	114103/208	6000													
	526.92	13000	2.7	48477/92	6000													
Maximum torque 13000 Nm	520.33	13000	2.7	487025/936	6000													
	517.20	13000	2.7	198605/384	5600													
	453.75	13000	3.1	1815/4	6000													
	450.95	13000	3.1	97405/216	5600													
	448.20	13000	3.1	93225/208	6000													
	436.75	13000	3.2	754699/1728	5000													
	421.15	13000	3.3	754699/1792	4800													
	388.44	13000	3.6	6215/16	5600													
	385.96	13000	3.6	1043625/2704	6000													
	380.80	13000	3.7	370139/972	5000													
	367.20	13000	3.8	52877/144	4800													
	359.79	13000	3.9	8635/24	4400													
	334.50	13000	4.2	69575/208	5600													
	328.01	13000	4.3	23617/72	5000													
	316.30	13000	4.4	70851/224	4800													
	313.70	13000	4.5	8470/27	4400													
	282.46	13000	5.0	264385/936	5000													
	272.37	13000	5.1	793155/2912	4800													
	270.22	13000	5.2	6215/23	4400													
	232.69	13000	6.0	3025/13	4400													

Legend see page 99

Type	$i_{ges.}$	SERVO adapter											Input unit									
		n_{1max}	Adapter size											n_{1max}	Input shaft [mm]							
			[min ⁻¹]	S92	S105	S114	S115	S130	S141	S142	S180	S189	S190		[min ⁻¹]	19x40	24x50	28x60	38x80	42x110	48x110	55x110
C144	2162.84	5000												3000								
	1885.79	5000												3000								
	1669.82	5000												2500								
	1624.38	5000												3000								
	1455.92	5000												2500								
	1400.42	5000												2500								
	1398.80	5000												3000								
	1254.10	5000												2500								
	1221.03	5000												2500								
	1099.05	5000												2500								
	1079.94	5000												2500								
	1051.77	5000												2500								
	958.27	5000												2500								
	905.71	5000												2500								
	848.21	5000												2500								
	825.43	5000												2500								
	739.56	5000												2500								
	710.80	5000												2500								
	701.59	5000												2500								
	637.04	5000												2500								
	611.72	5000												2500								
	596.77	5000												2500								
	548.57	5000												2500								
	526.92	5000												2500								
	520.33	5000												2500								
	517.20	5000												2500								
	453.75	5000												2500								
	450.95	5000												2500								
	448.20	5000												2500								
	436.75	4800												2500								
	421.15	4600												2500								
	388.44	5000												2500								
	385.96	5000												2500								
	380.80	4800												2500								
	367.20	4600												2500								
	359.79	4200												2500								
	334.50	5000												2500								
	328.01	4800												2500								
	316.30	4600												2500								
	313.70	4200												2500								
	282.46	4800												2500								
	272.37	4600												2500								
	270.22	4200												2500								
	232.69	4200												2500								



Legend see page 99

Type	i_{ges}	M_{znom}	n_2	i_{exakt}	n_{1max}	IEC motor frame size												
						63	71	80	90	100	112	132	160	180	200	225	250	-
						IEC adapter												
						I63	I71	I80	I90	I100	I112	I132	I160	I180	I200	I225	I250	I280
NEMA adapter																		
		[Nm]	[min ⁻¹]			N56	N143/145	N182	N184	N213/215	N254/256	N284/286	N324/326	N364	-	-		
C162	33.00	13926	42	33/1	3900													
2 stages	25.15	18000	56	327/13	3100													
	21.12	18000	66	528/25	2700													
	17.70	7468	79	407/23	3900													
	17.38	18000	81	504/29	2300													
	14.79	18000	95	207/14	2100													
	$n_1=1400\text{ min}^{-1}$	13.49	10003	104	4033/299	3100												
		12.77	18000	110	396/31	1900												
	Maximum torque 18000 Nm	11.33	11261	124	6512/575	2700												
		11.12	18000	126	189/17	1700												
		9.32	11197	150	6216/667	2300												
7.93		11261	177	111/14	2100													
6.85		11261	204	4884/713	1900													
5.96	11261	235	2331/391	1700														
C163	234.67	18000	6.0	704/3	5000													
3 stages	202.12	18000	6.9	106920/529	4400													
	174.82	18000	8.0	52272/299	3900													
	154.21	18000	9.1	81576/529	3500													
	132.44	18000	11	39600/299	3100													
	130.53	18000	11	15272/117	5000													
	112.42	18000	12	33615/299	4400													
	110.19	18000	13	12672/115	2700													
	97.24	18000	14	16434/169	3900													
	91.43	18000	15	60984/667	2300													
	$n_1=1400\text{ min}^{-1}$	85.78	18000	16	25647/299	3500												
76.25		18000	18	12276/161	2100													
73.67		18000	19	12450/169	3100													
65.54		18000	21	46728/713	1900													
61.29		18000	23	3984/65	2700													
56.72		18000	25	22176/391	1700													
50.86		18000	28	19173/377	2300													
42.41		18000	33	7719/182	2100													
36.45		18000	38	14691/403	1900													
31.55	17437	44	6972/221	1700														

Legend see page 99

Type	i _{ges.}	SERVO adapter											Input unit									
		n _{1max}	Adapter size											n _{1max}	Input shaft [mm]							
			[min ⁻¹]	S92	S105	S114	S115	S130	S141	S142	S180	S189	S190		[min ⁻¹]	19x40	24x50	28x60	38x80	42x110	48x110	55x110
C162	33.00	-												2500								
	25.15	-												1800								
	21.12	-												1800								
	17.70	-												2500								
	17.38	-												1800								
	14.79	-												1800								
	13.49	-												1800								
	12.77	-												1800								
	11.33	-												1800								
	11.12	-												1700								
	9.32	-												1800								
	7.93	-												1800								
	6,85	-												1800								
	5.96	-												1700								
C163	234.67	-												2500								
	202.12	-												2500								
	174.82	-												2500								
	154.21	-												1800								
	132.44	-												1800								
	130.53	-												2500								
	112.42	-												2500								
	110.19	-												1800								
	97.24	-												2500								
	91.43	-												1800								
	85.78	-												1800								
	76.25	-												1800								
	73.67	-												1800								
	65.54	-												1800								
	61.29	-												1800								
	56.72	-												1700								
	50.86	-												1800								
	42.41	-												1800								
	36.45	-												1800								
	31.55	-												1700								

Legend see page 99

Type	i_{ges}	M_{znom}	n_2	i_{exakt}	n_{1max}	IEC motor frame size												
						63	71	80	90	100	112	132	160	180	200	-	-	-
						IEC adapter												
						I63	I71	I80	I90	I100	I112	I132	I160	I180	I200	-	-	-
NEMA adapter																		
		[Nm]	[min ⁻¹]			N56	N143/145	N182	N184	N213/215	N254/256	N284/286	N324/326	-	-	-		
C164	2093.95	18000	0.67	81664/39	6000													
	1803.51	18000	0.78	12402720/6877	6000													
	1657.33	18000	0.84	4972/3	6000													
	1559.96	18000	0.9	6063552/3887	6000													
	1447.11	18000	0.97	13024/9	6000													
	1427.45	18000	0.98	1510245/1058	6000													
	1278.93	18000	1.1	19184/15	6000													
	1246.39	18000	1.1	659340/529	6000													
	1234.69	18000	1.1	369171/299	6000													
	1101.54	18000	1.3	582714/529	6000													
	1081.51	18000	1.3	74624/69	6000													
	1078.07	18000	1.3	322344/299	6000													
	952.78	18000	1.5	1424412/1495	6000													
	931.50	18000	1.5	11333520/12167	6000													
	929.64	18000	1.5	36256/39	6000													
	811.56	18000	1.7	7304/9	5600													
4 stages	805.70	18000	1.7	5540832/6877	6000													
	800.70	18000	1.7	5506380/6877	6000													
	698.99	18000	2.0	369765/529	5600													
$n_1=1400\text{ min}^{-1}$	695.31	18000	2.0	56320/81	5000													
	692.57	18000	2.0	2692008/3887	6000													
Maximum torque 18000 Nm	670.48	18000	2.1	14080/21	4800													
	604.60	18000	2.3	180774/299	5600													
	598.87	18000	2.3	316800/529	5000													
	591.77	18000	2.4	40832/69	4400													
	577.48	18000	2.4	2138400/3703	4800													
	517.99	18000	2.7	154880/299	5000													
	509.69	18000	2.7	6201360/12167	4400													
	499.49	18000	2.8	1045440/2093	4800													
	496.41	18000	2.8	19360/39	3900													
	440.86	18000	3.2	3031776/6877	4400													
	427.56	18000	3.3	2940300/6877	3900													
	418.32	18000	3.3	28864/69	3500													
	369.82	18000	3.8	1437480/3887	3900													
	360.30	18000	3.9	4383720/12167	3500													
	342.97	18000	4.1	13376/39	3100													
	311.64	18000	4.5	2143152/6877	3500													
	295.40	18000	4.7	2031480/6877	3100													
	255.51	18000	5.5	993168/3887	3100													

Legend see page 99

Type	i _{ges.}	SERVO adapter											Input unit												
		n _{1max}	Adapter size											n _{1max}	Input shaft [mm]										
			[min ⁻¹]	S92	S105	S114	S115	S130	S141	S142	S180	S189	S190		[min ⁻¹]	19x40	24x50	28x60	38x80	42x110	48x110	55x110			
C164	2093.95	5000													2500										
	1803.51	5000													2500										
	1657.33	5000													2500										
	1559.96	5000													2500										
	1447.11	5000													2500										
	1427.45	5000													2500										
	1278.93	5000													2500										
	1246.39	5000													2500										
	1234.69	5000													2500										
	1101.54	5000													2500										
	1081.51	5000													2500										
	1078.07	5000													2500										
	952.78	5000													2500										
	931.50	5000													2500										
	929.64	5000													2500										
	811.56	5000													2500										
	805.70	5000													2500										
	800.70	5000													2500										
	698.99	5000													2500										
	695.31	4900													2500										
	692.57	5000													2500										
	670.48	4700													2500										
	604.60	5000													2500										
	598.87	4900													2500										
	591.77	4300													2500										
	577.48	4700													2500										
	517.99	4900													2500										
	509.69	4300													2500										
	499.49	4700													2500										
	496.41	3800													2500										
	440.86	4300													2500										
	427.56	3800													2500										
	418.32	3500													2500										
	369.82	3800													2500										
	360.30	3500													2500										
	342.97	-													2500										
	311.64	3500													2500										
	295.40	-													2500										
	255.51	-													2500										

Legend see page 99

Type	i_{ges}	M_{znom}	n_2	i_{exakt}	n_{1max}	IEC motor frame size												
						63	71	80	90	100	112	132	-	-	-	-	-	-
						IEC adapter												
						I63	I71	I80	I90	I100	I112	I132	-	-	-	-	-	-
NEMA adapter																		
		[Nm]	[min ⁻¹]			N56	N143/145	N182	N184	N213/215	-	-	-	-	-	-		
C165	22405.25	18000	0.06	4369024/195	6000													
	18322.05	18000	0.08	714560/39	6000													
	15484.09	18000	0.09	696784/45	6000													
	14467.28	18000	0.10	564224/39	6000													
	12662.22	18000	0.11	113960/9	6000													
	11217.58	18000	0.12	1020800/91	6000													
	9998.22	18000	0.14	89984/9	6000													
	9181.16	18000	0.15	1551616/169	6000													
5 stages	7752.38	18000	0.18	162800/21	6000													
	7067.08	18000	0.20	91872/13	6000													
	6345.03	18000	0.22	247456/39	6000													
$n_1=1400 \text{ min}^{-1}$	5339.57	18000	0.26	347072/65	6000													
	4884.00	18000	0.29	4884/1	6000													
	4369.98	18000	0.32	1306624/299	6000													
Maximum torque 18000 Nm	3690.13	18000	0.38	55352/15	6000													
	3543.61	18000	0.40	1796608/507	6000													
	3020.06	18000	0.46	208384/69	6000													
	2966.43	18000	0.47	347072/117	5600													
	2448.96	18000	0.57	286528/117	6000													
	2404.16	18000	0.58	2531584/1053	5000													
	2318.30	18000	0.60	632896/273	4800													
	2050.07	18000	0.68	55352/27	5600													
	1661.50	18000	0.84	403744/243	5000													
	1602.16	18000	0.87	100936/63	4800													

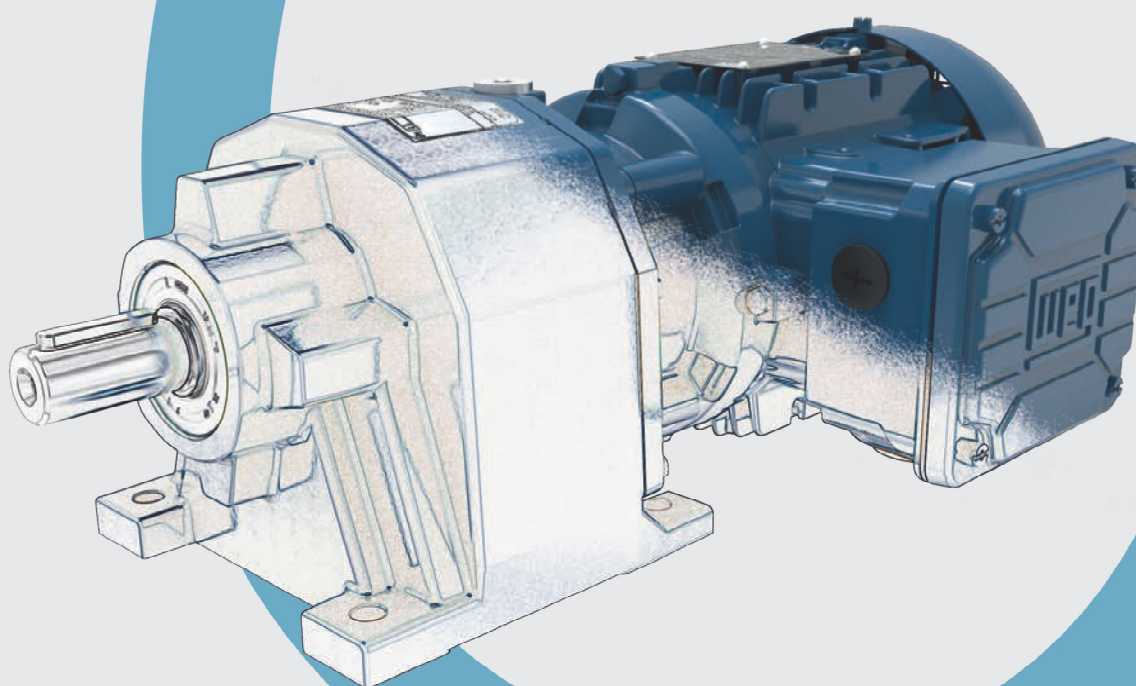
Legend see page 99

Type	i _{ges.}	SERVO adapter											Input unit													
		n _{1max}	Adapter size											n _{1max}	Input shaft [mm]											
			[min ⁻¹]	S92	S105	S114	S115	S130	S141	S142	S180	S189	S190		[min ⁻¹]	19x40	24x50	28x60	38x80	42x110	48x110	55x110				
C165	22405.25	5000													3000											
	18322.05	5000													3000											
	15484.09	5000													3000											
	14467.28	5000													3000											
	12662.22	5000													3000											
	11217.58	5000													3000											
	9998.22	5000													3000											
	9181.16	5000													3000											
	7752.38	5000													3000											
	7067.08	5000													3000											
	6345.03	5000													3000											
	5339.57	5000													3000											
	4884.00	5000													3000											
	4369.98	5000													3000											
	3690.13	5000													3000											
	3543.61	5000													3000											
	3020.06	5000													3000											
	2966.43	5000													3000											
	2448.96	5000													3000											
	2404.16	4900													3000											
	2318.30	4700													3000											
	2050.07	5000													3000											
	1661.50	4900													3000											
	1602.16	4700													3000											

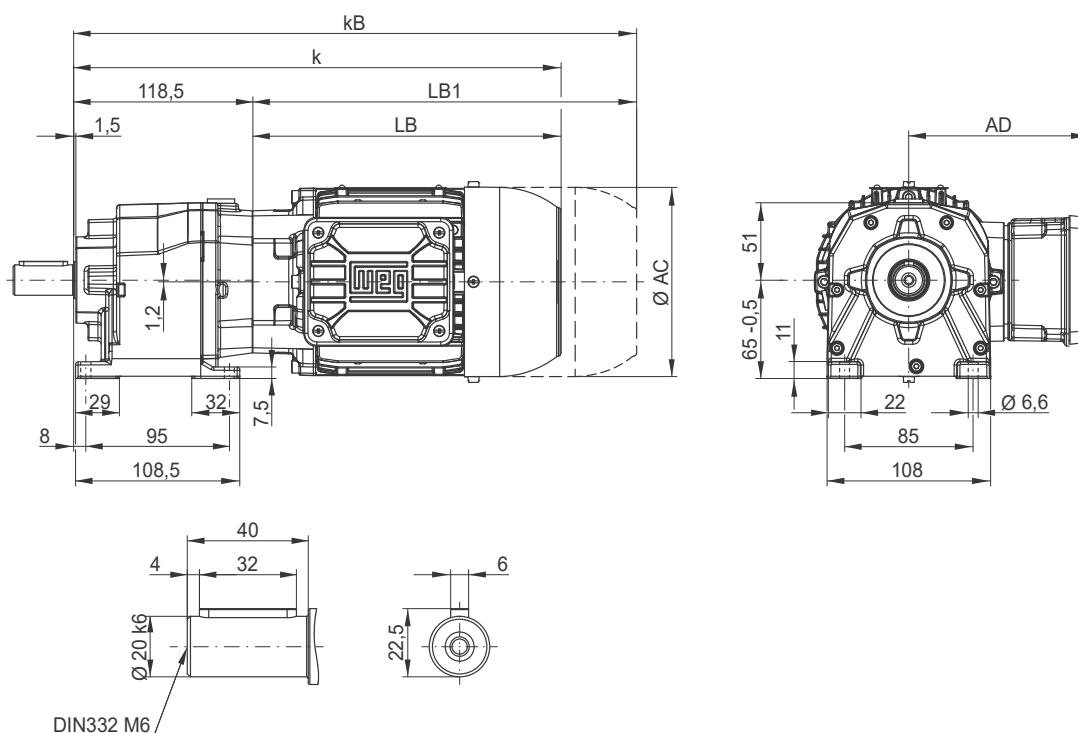


Legend see page 99

Dimension sheets Geared Motors

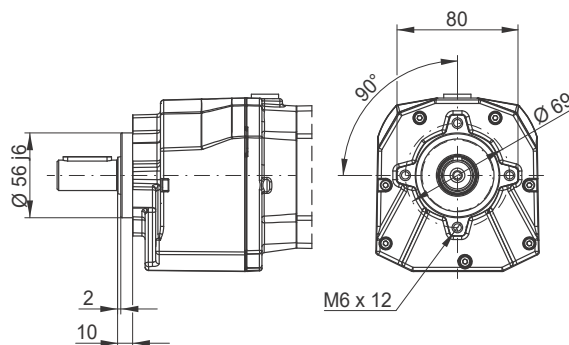
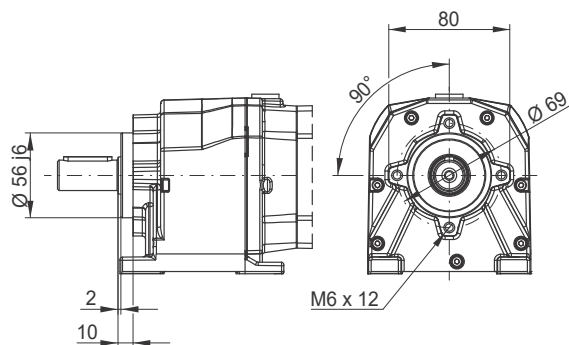


CG00 - Foot mounted



CW00 - Foot mounted with B14 flange execution + centring and threaded hole

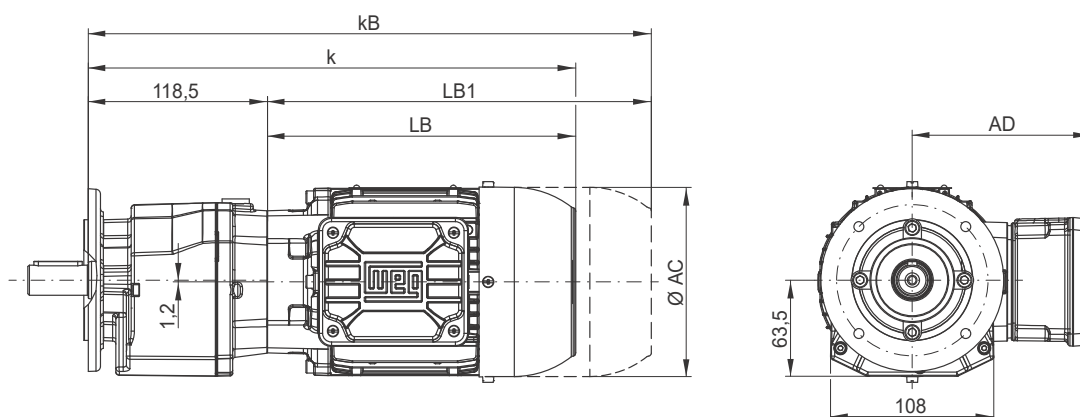
CC00 - B14 flange execution + centring and threaded hole



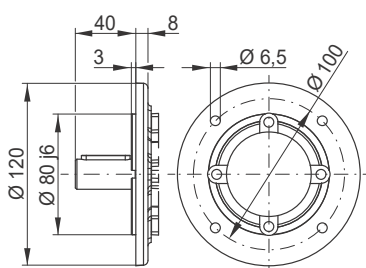
Motor fr.	63	71	80	L80
Dimension				
AC	126	141	159	159
AD	128	136	145	145
k	323	357	365	389
kB	367	406	423	447
LB	204	238	246	270
LB1	248	287	304	328

Motor dimension sheets see page 496
 Description of motor lengths LB and LB1 see page 500

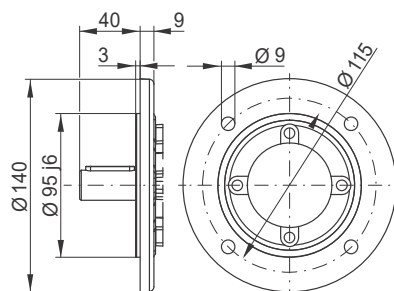
CF00 - Flange execution



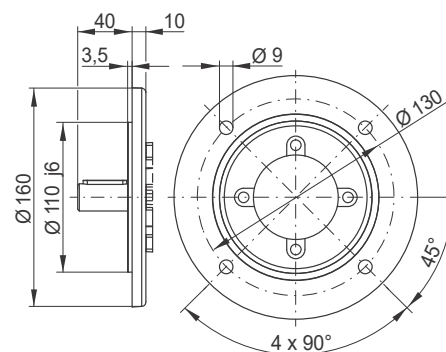
Flange Ø 120



Flange Ø 140

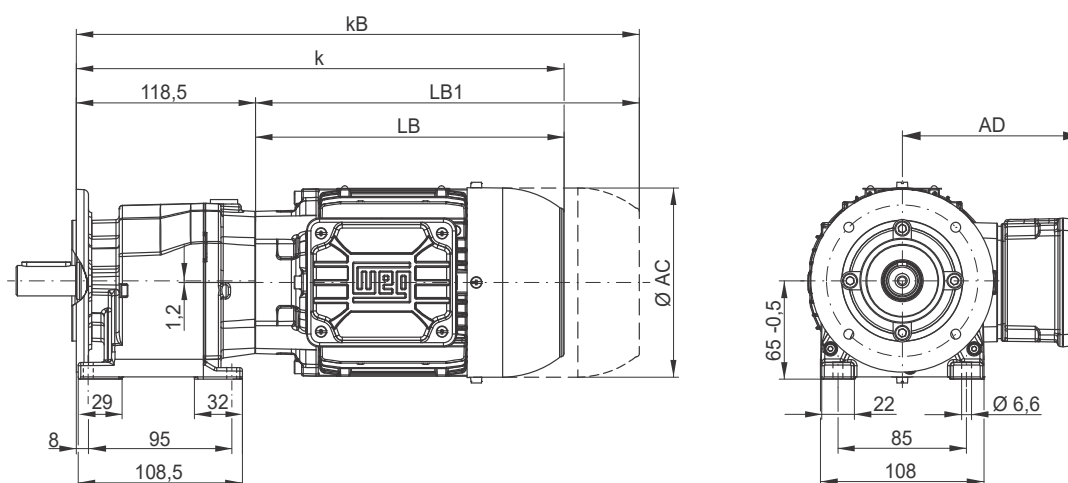


Flange Ø 160



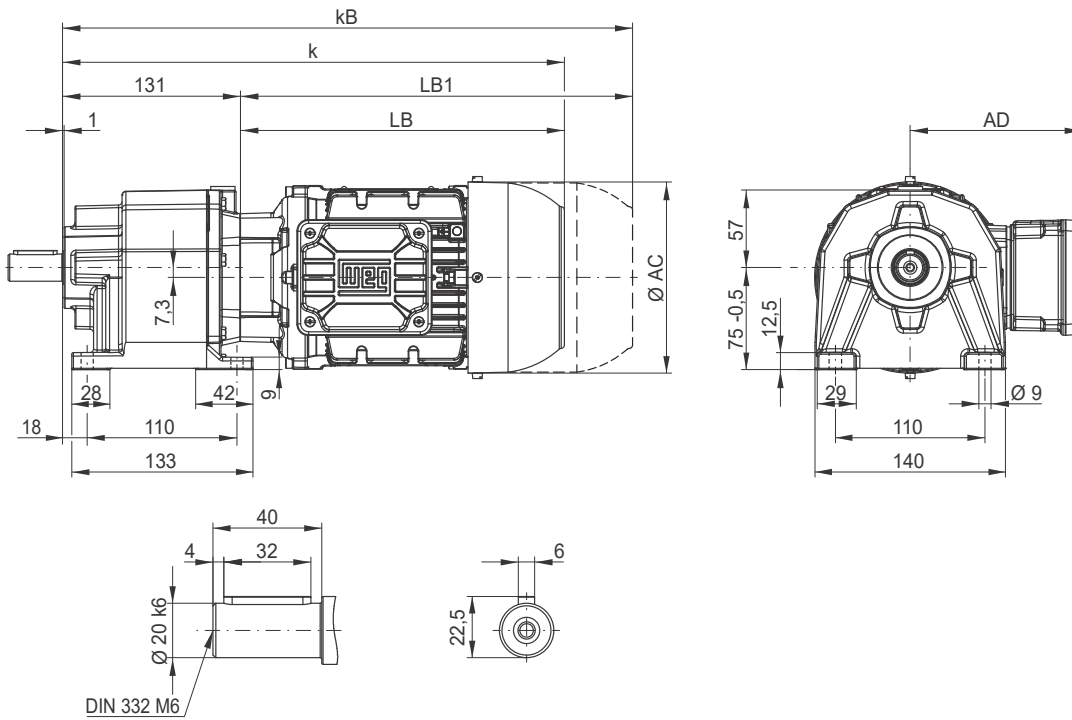
CA00 - Foot mounted and B5 flange execution

mountable flange sizes on the housing: Ø 120



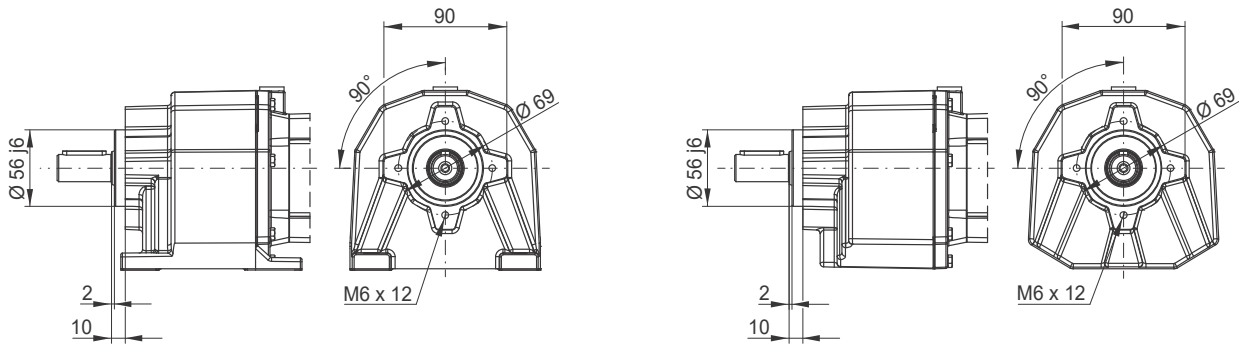
Dimensions in mm.

CG01 - Foot mounted



CW01 - Foot mounted with B14 flange execution + centring and threaded hole

CC01 - B14 flange execution + centring and threaded hole

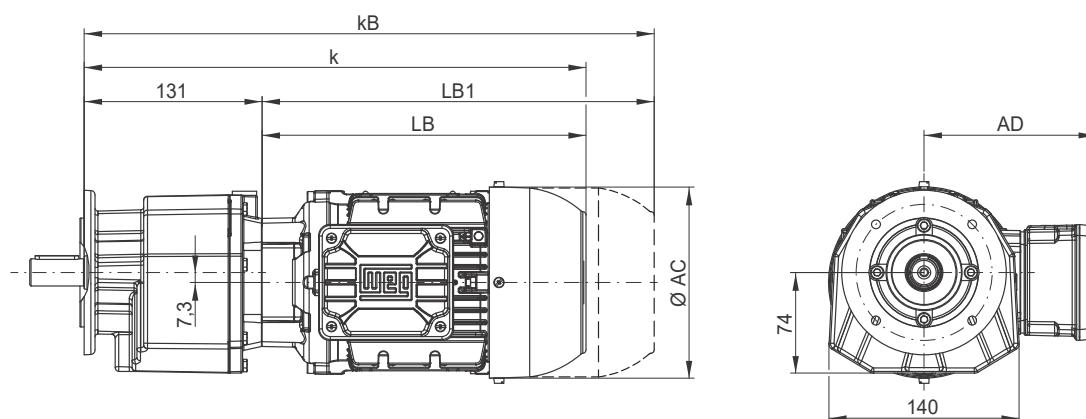


Motor fr.	63	71	80	L80	90S/L
Dimension					
AC	126	141	159	159	178
AD	128	136	145	145	155
k	335	369	377	401	419
kB	379	418	435	459	492
LB	204	238	246	270	288
LB1	248	287	304	328	361

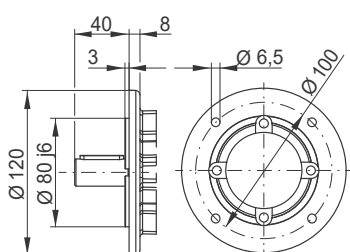
Motor dimension sheets see page 496

Description of motor lengths LB and LB1 see page 500

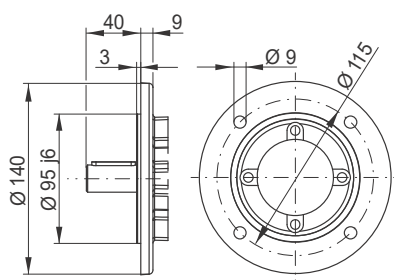
CF01 - Flange execution



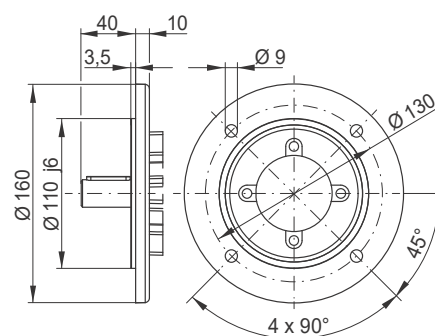
Flange $\varnothing 120$



Flange $\varnothing 140$

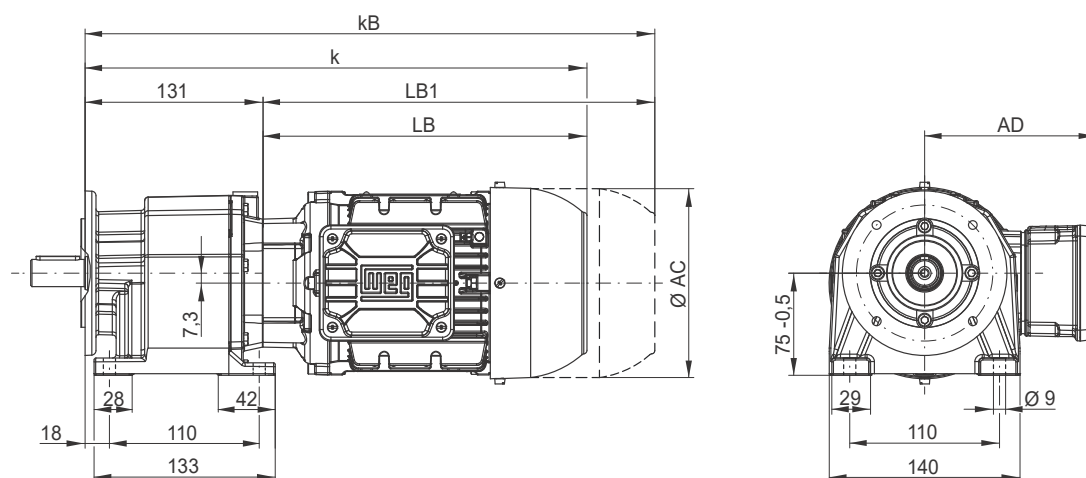


Flange $\varnothing 160$



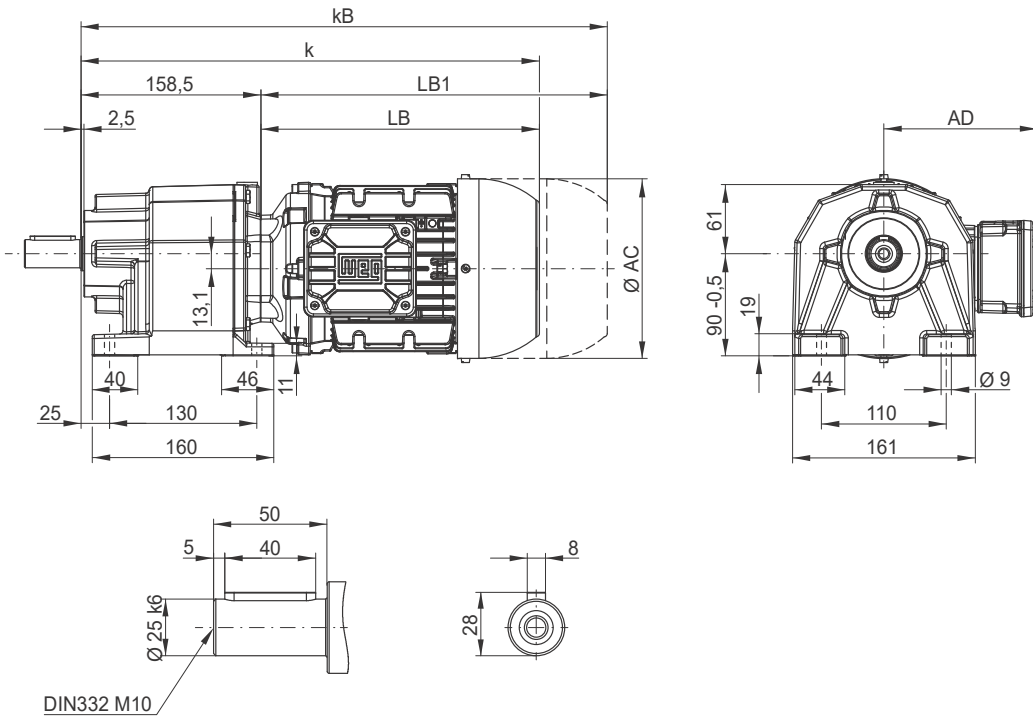
CA01 - Foot mounted and B5 flange execution

mountable flange sizes on the housing: $\varnothing 120$ and $\varnothing 140$



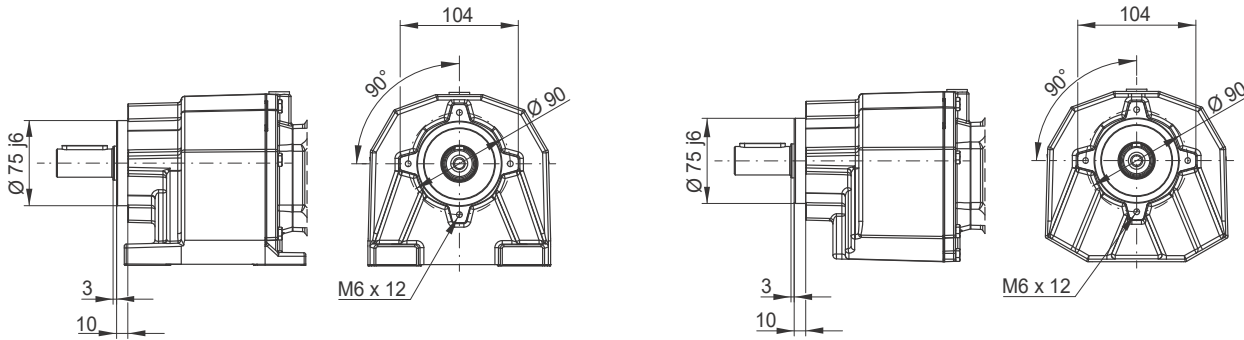
Dimensions in mm.

CG03 - Foot mounted



CW03 - Foot mounted with B14 flange execution + centring and threaded hole

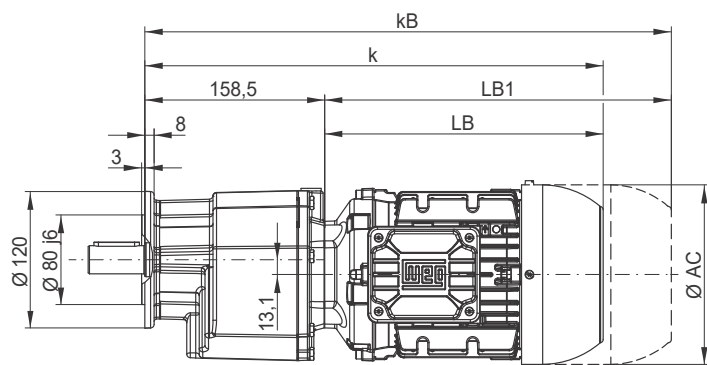
CC03 - B14 flange execution + centring and threaded hole



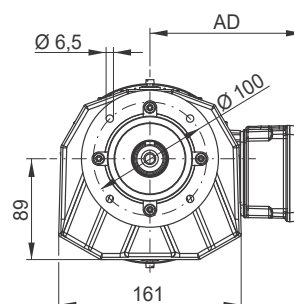
Motor fr.	63	71	80	L80	90S/L	100L	L100L
AC	126	141	159	159	178	199	199
AD	128	136	145	145	155	165	165
k	363	397	405	429	447	497	535
kB	407	446	463	487	520	581	619
LB	204	238	246	270	288	338	376
LB1	248	287	304	328	361	422	460

Motor dimension sheets see page 496
 Description of motor lengths LB and LB1 see page 500

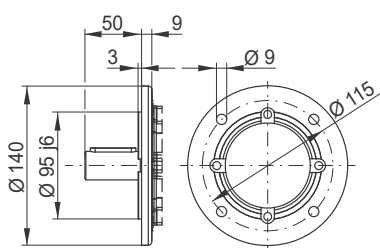
CF03 - Flange execution



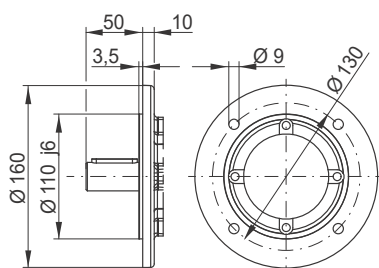
Flange Ø 120



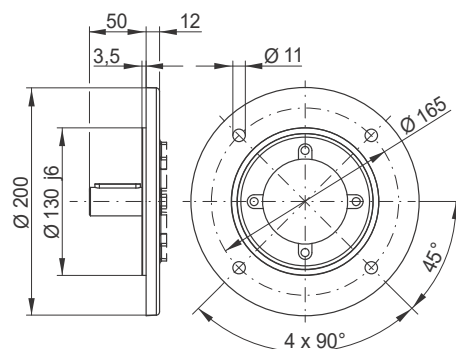
Flange Ø 140



Flange Ø 160

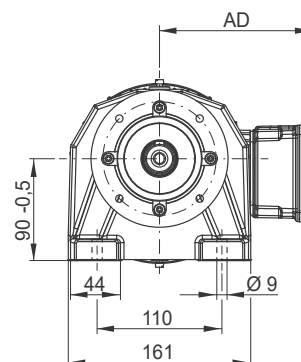
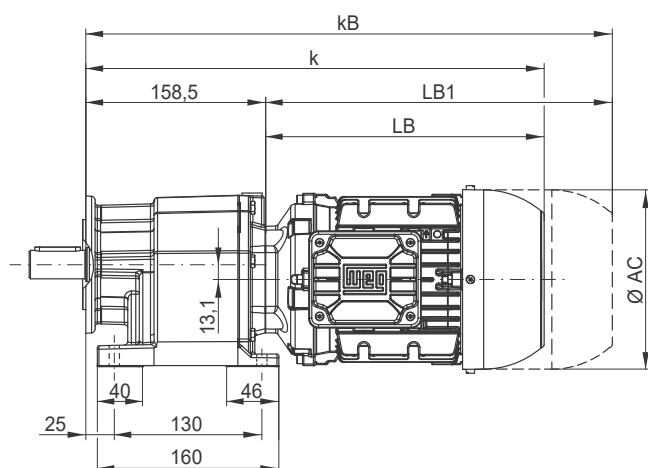


Flange Ø 200



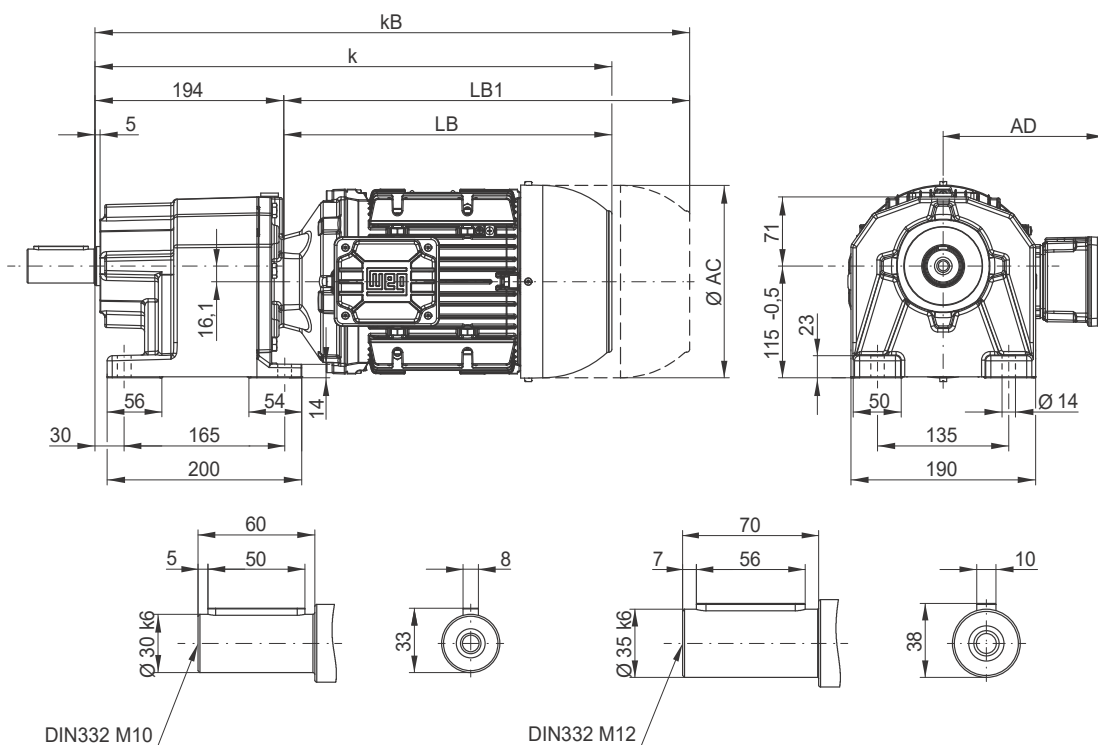
CA03 - Foot mounted and B5 flange execution

mountable flange sizes on the housing: Ø 120, Ø 140 and Ø 160



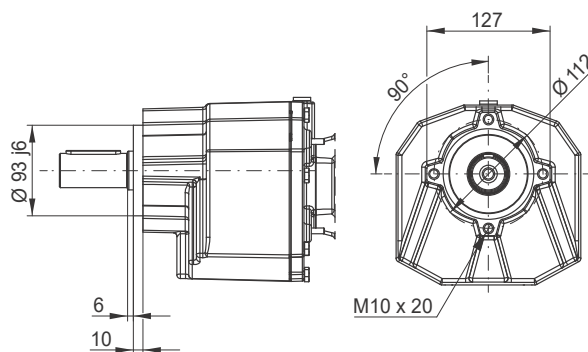
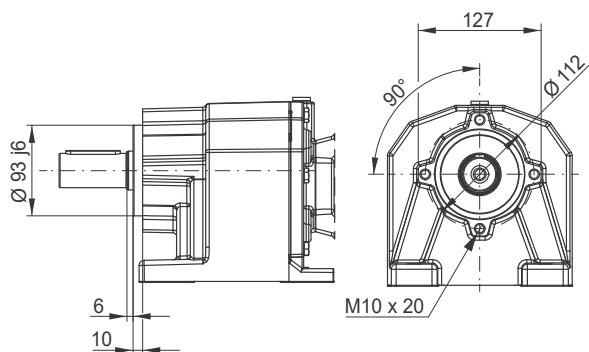
Dimensions in mm.

CG05 - Foot mounted



CW05 - Foot mounted with B14 flange execution + centring and threaded hole

CC05 - B14 flange execution + centring and threaded hole

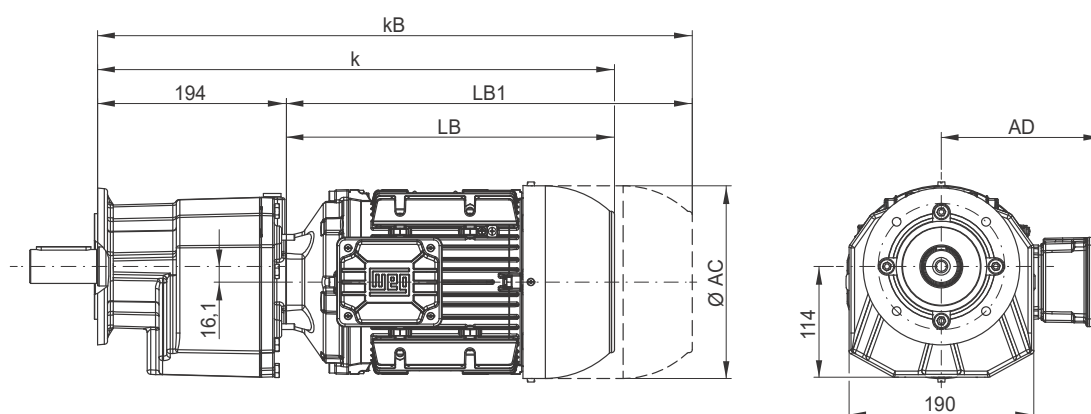


Motor fr.	63	71	80	L80	90S/L	100L	L100L	112M	132S,M	L132M
Dimension										
AC	126	141	159	159	178	199	199	221	261	261
AD	128	136	145	145	155	165	165	185	205	205
k	398	432	440	464	482	532	570	542	607	645
kB	442	481	498	522	555	616	654	629	725	763
LB	204	238	246	270	288	338	376	348	413	451
LB1	248	287	304	328	361	422	460	435	531	569

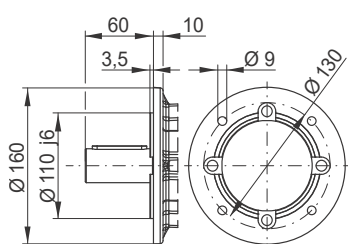
Motor dimension sheets see page 496

Description of motor lengths LB and LB1 see page 500

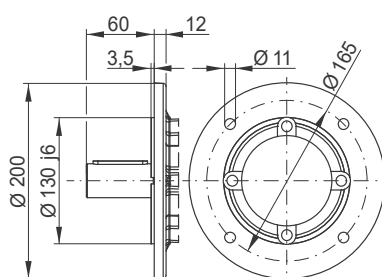
CF05 - Flange execution



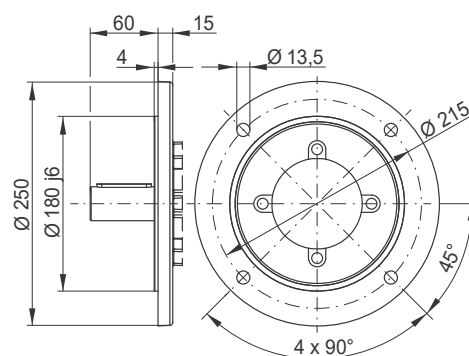
Flange Ø 160



Flange Ø 200

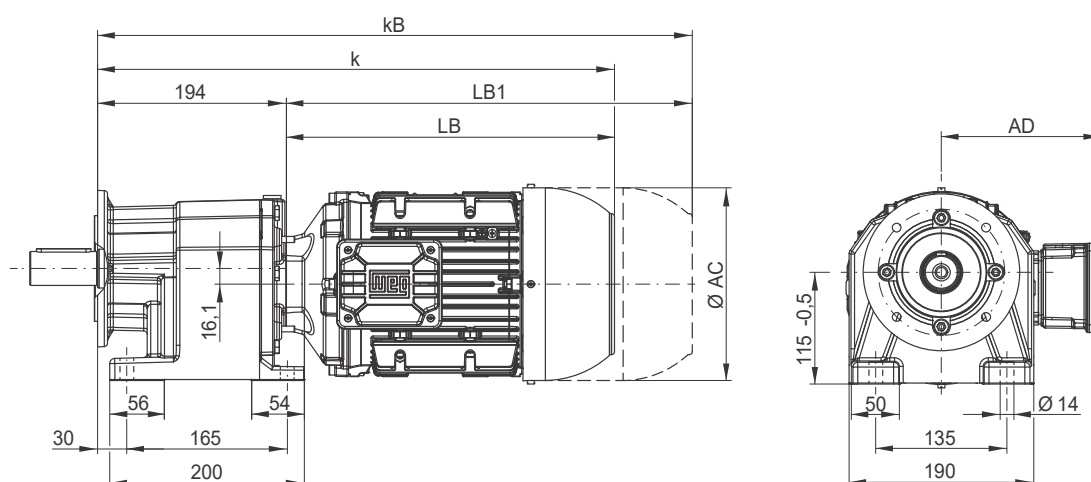


Flange Ø 250



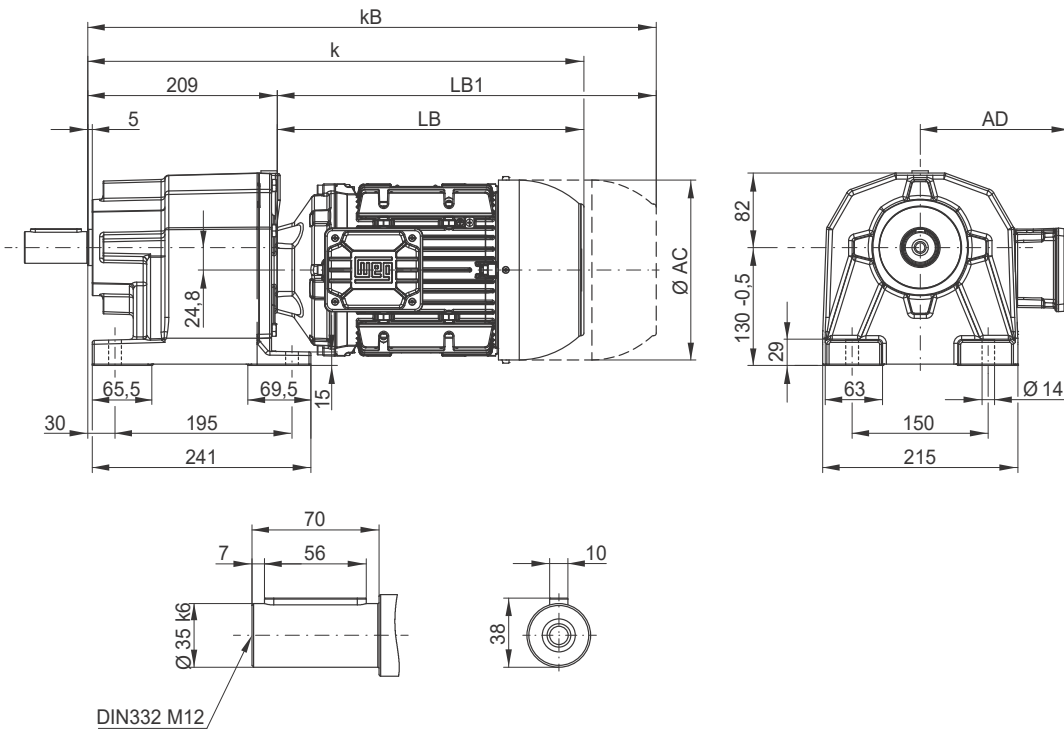
CA05 - Foot mounted and B5 flange execution

mountable flange sizes on the housing: Ø 160 and Ø 200



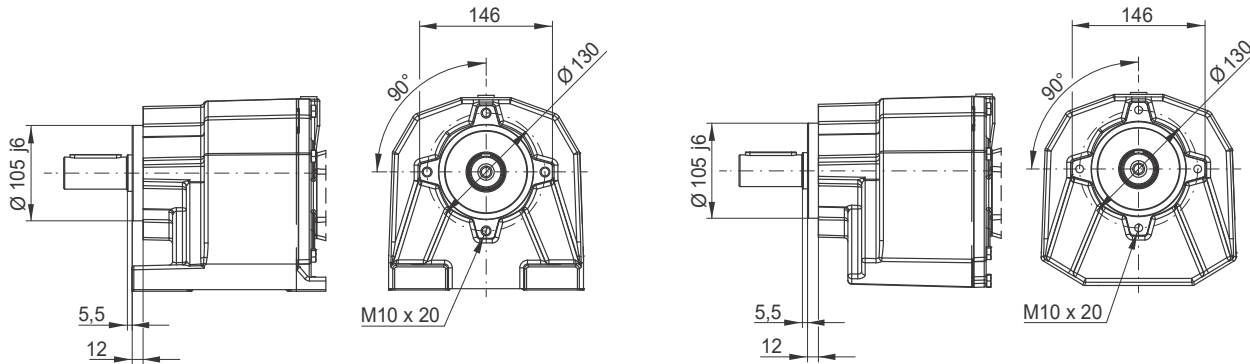
Dimensions in mm.

CG06 - Foot mounted



CW06 - Foot mounted with B14 flange execution + centring and threaded hole

CC06 - B14 flange execution + centring and threaded hole

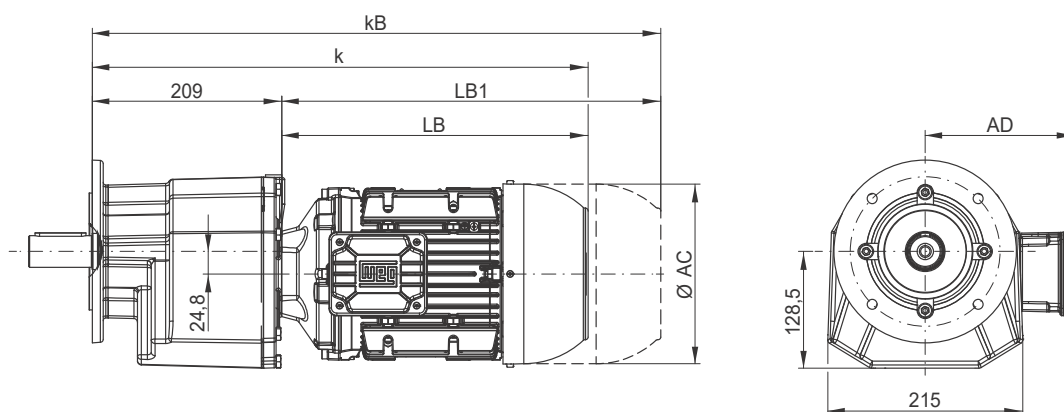


Motor fr.	63	71	80	L80	90S/L	100L	L100L	112M	132S,M	L132M
Dimension										
AC	126	141	159	159	178	199	199	221	261	261
AD	128	136	145	145	155	165	165	185	205	205
k	413	447	455	479	497	547	585	557	622	660
kB	457	496	513	537	570	631	669	644	740	778
LB	204	238	246	270	288	338	376	348	413	451
LB1	248	287	304	328	361	422	460	435	531	569

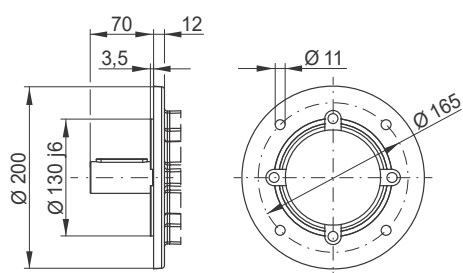
Motor dimension sheets see page 496

Description of motor lengths LB and LB1 see page 500

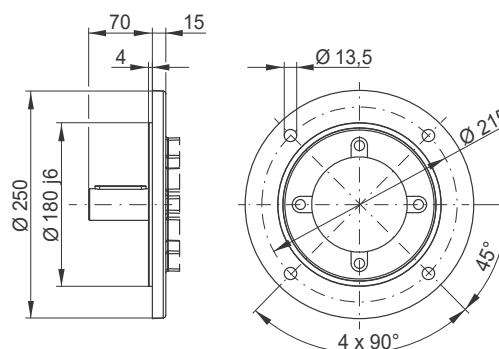
CF06 - Flange execution



Flange $\varnothing 200$

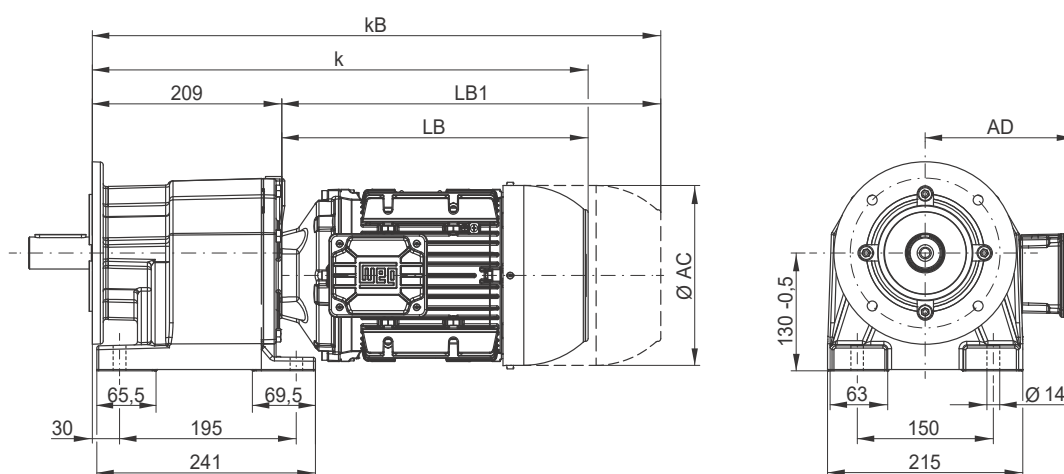


Flange $\varnothing 250$



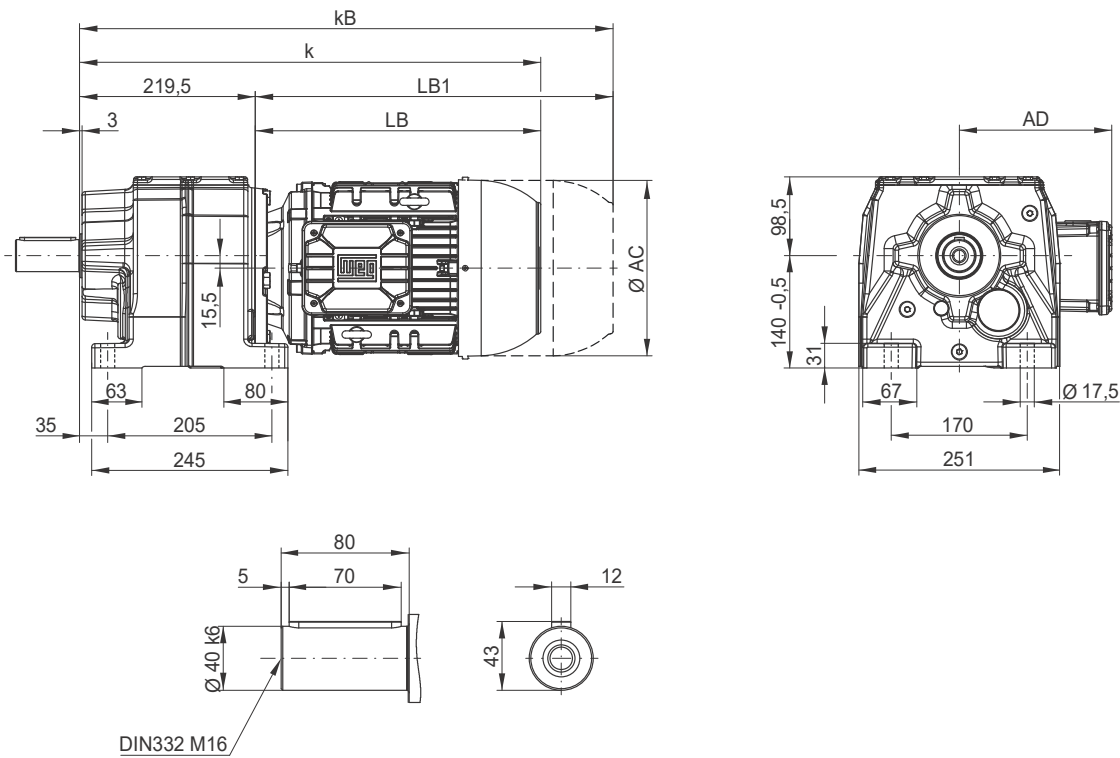
CA06 - Foot mounted and B5 flange execution

mountable flange sizes on the housing: $\varnothing 200$



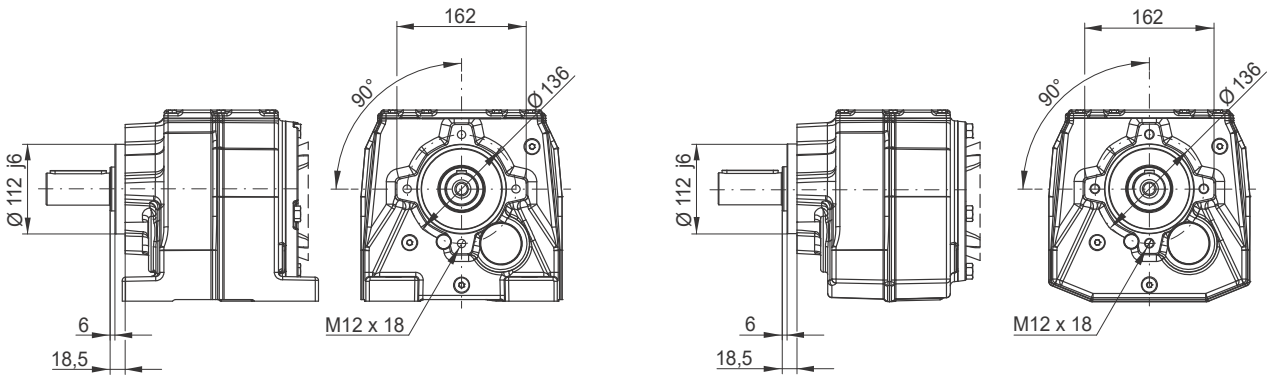
Dimensions in mm.

CG07 - Foot mounted



CW07 - Foot mounted with B14 flange execution + centring and threaded hole

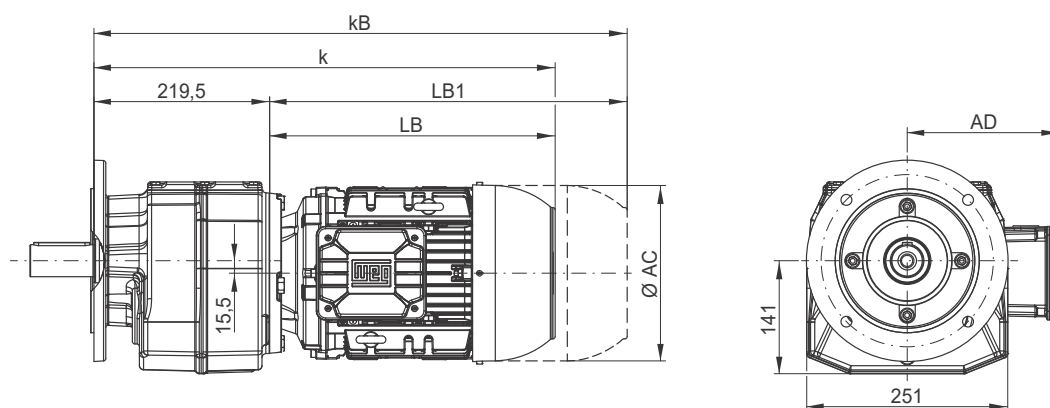
CC07 - B14 flange execution + centring and threaded hole



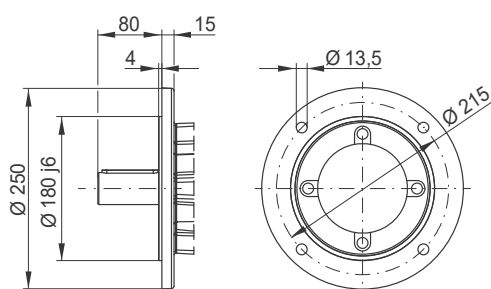
Motor fr.	63	71	80	L80	90S/L	100L	L100L	112M	132S,M	L132M	160M	160L
Dimension AC	126	141	159	159	178	199	199	221	261	261	329	329
AD	128	136	145	145	155	165	165	185	205	205	266	266
k	424	458	466	490	508	558	596	568	633	671	765	809
kB	468	507	524	548	581	642	680	655	751	789	889	933
LB	204	238	246	270	288	338	376	348	413	451	545	589
LB1	248	287	304	328	361	422	460	435	531	569	669	713

Motor dimension sheets see page 496; Gear unit size C07 corresponds to motor flange FR-200.
Description of motor lengths LB and LB1 see page 500

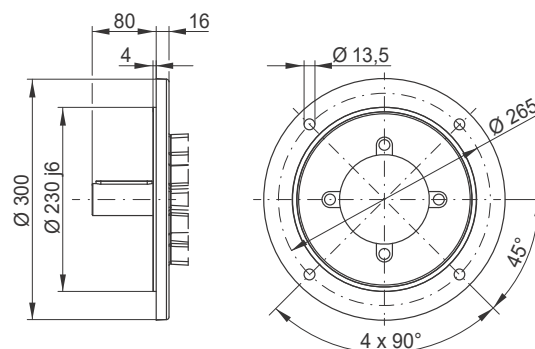
CF07 - Flange execution



Flange $\varnothing 250$

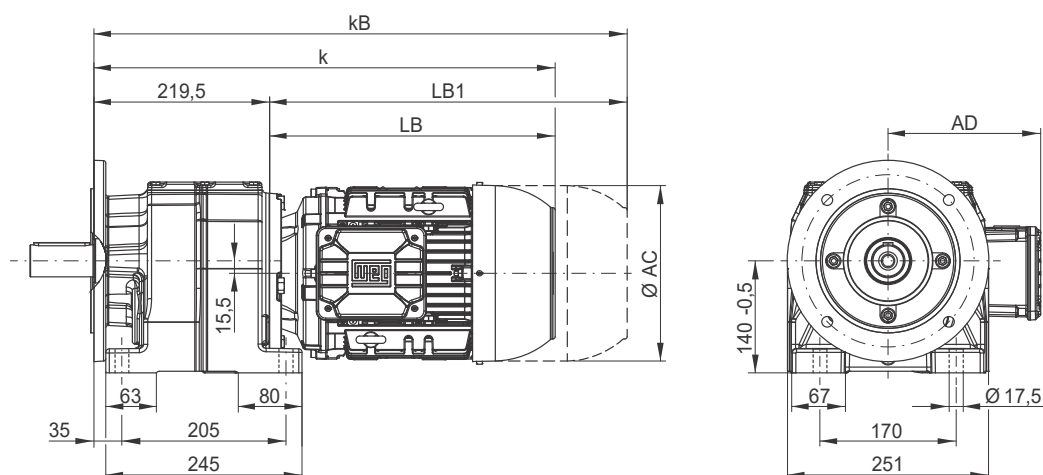


Flange $\varnothing 300$



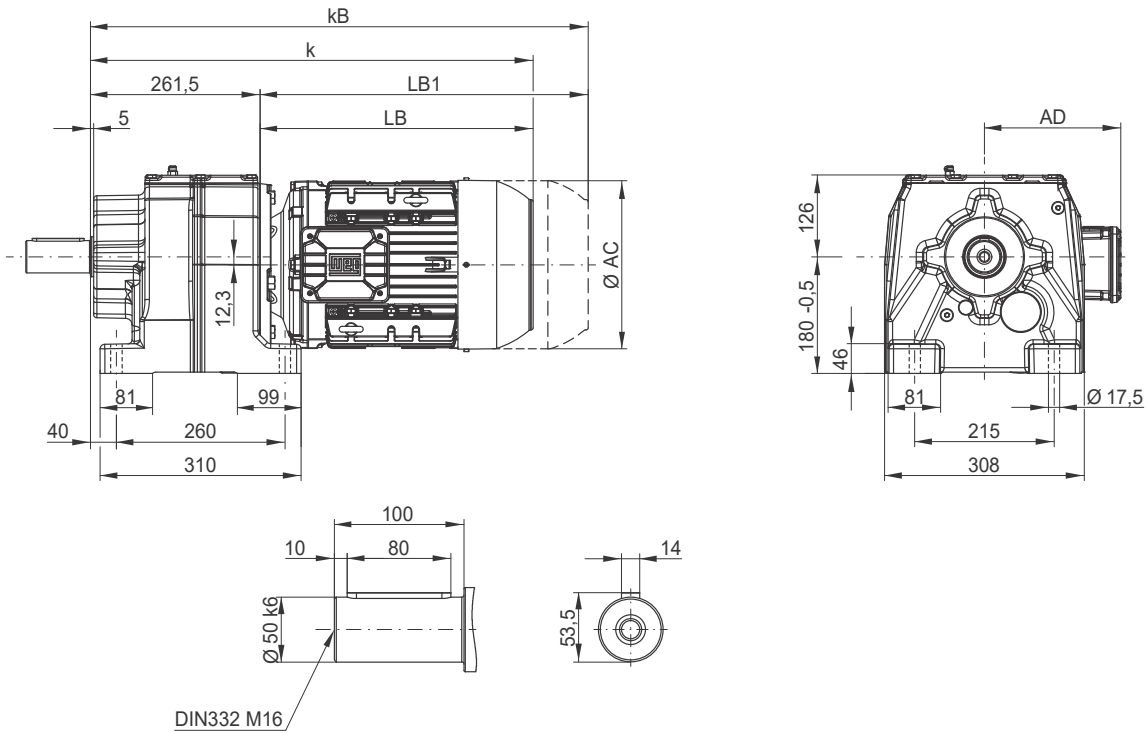
CA07 - Foot mounted and B5 flange execution

mountable flange sizes on the housing: $\varnothing 250$



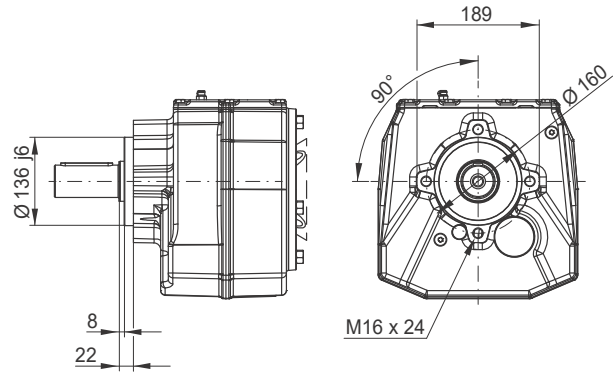
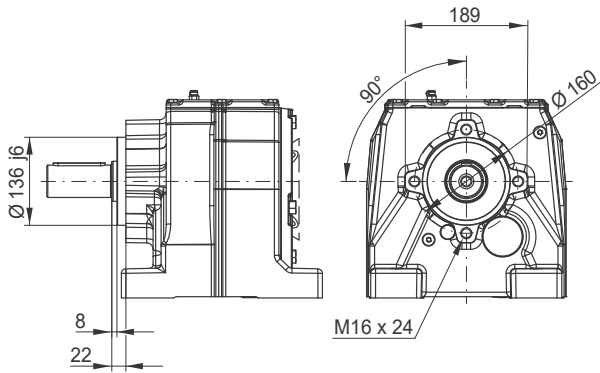
Dimensions in mm.

CG08 - Foot mounted



CW08 - Foot mounted with B14 flange execution + centring and threaded hole

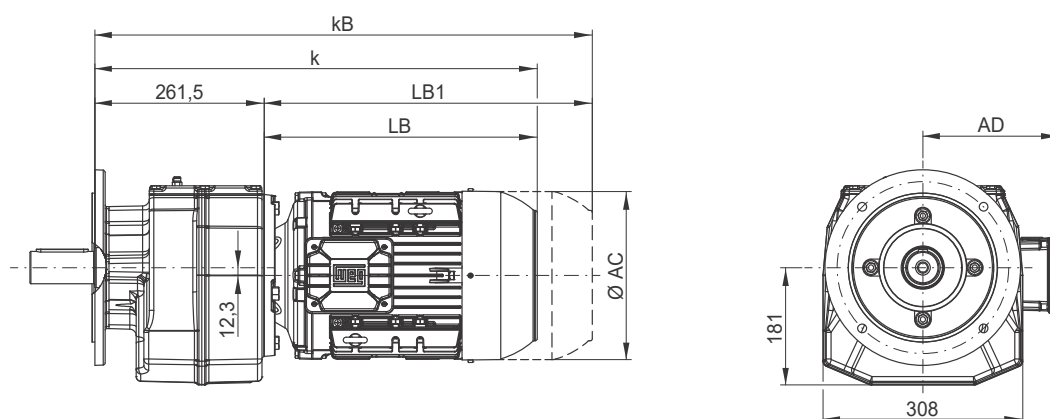
CC08 - B14 flange execution + centring and threaded hole



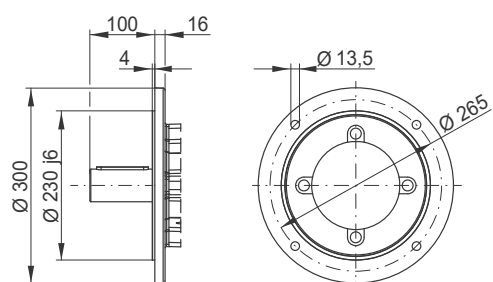
Motor fr.	63	71	80	L80	90S/L	100L	L100L	112M	132S,M	L132M	160M	160L	180M	180L
AC	126	141	159	159	178	199	199	221	261	261	329	329	347	347
AD	128	136	145	145	155	165	165	185	205	205	266	266	281	281
k	466	500	508	532	550	600	638	610	675	713	802	846	870	908
kB	510	549	566	590	623	684	722	697	793	831	926	970	988	1026
LB	204	238	246	270	288	338	376	348	413	451	540	584	608	646
LB1	248	287	304	328	361	422	460	435	531	569	664	708	726	764

Motor dimension sheets see page 496; Gear unit size C08 corresponds to motor flange FR-250.
Description of motor lengths LB and LB1 see page 500

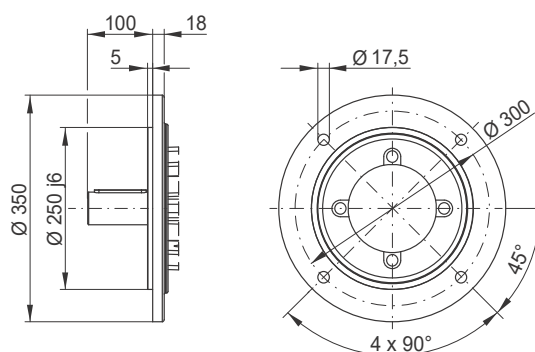
CF08 - Flange execution



Flange Ø 300

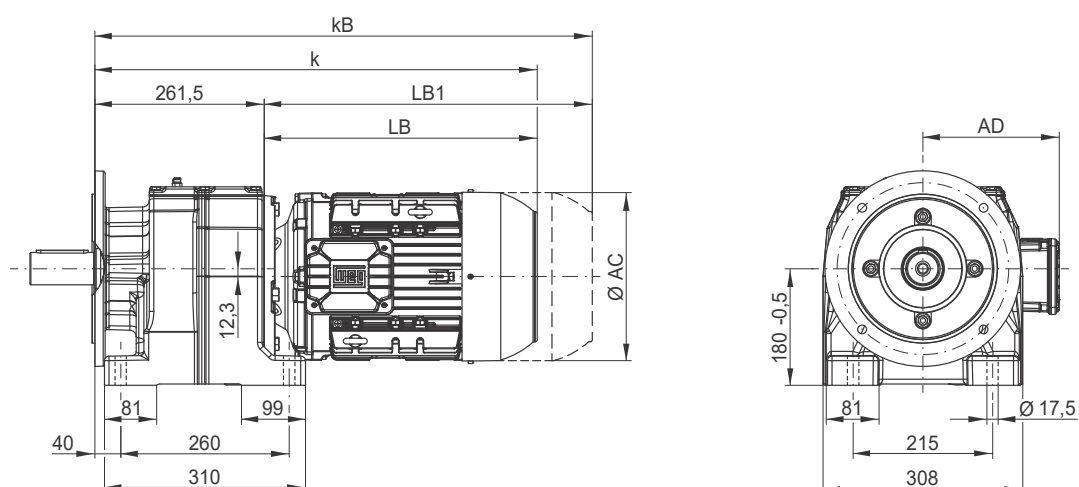


Flange Ø 350



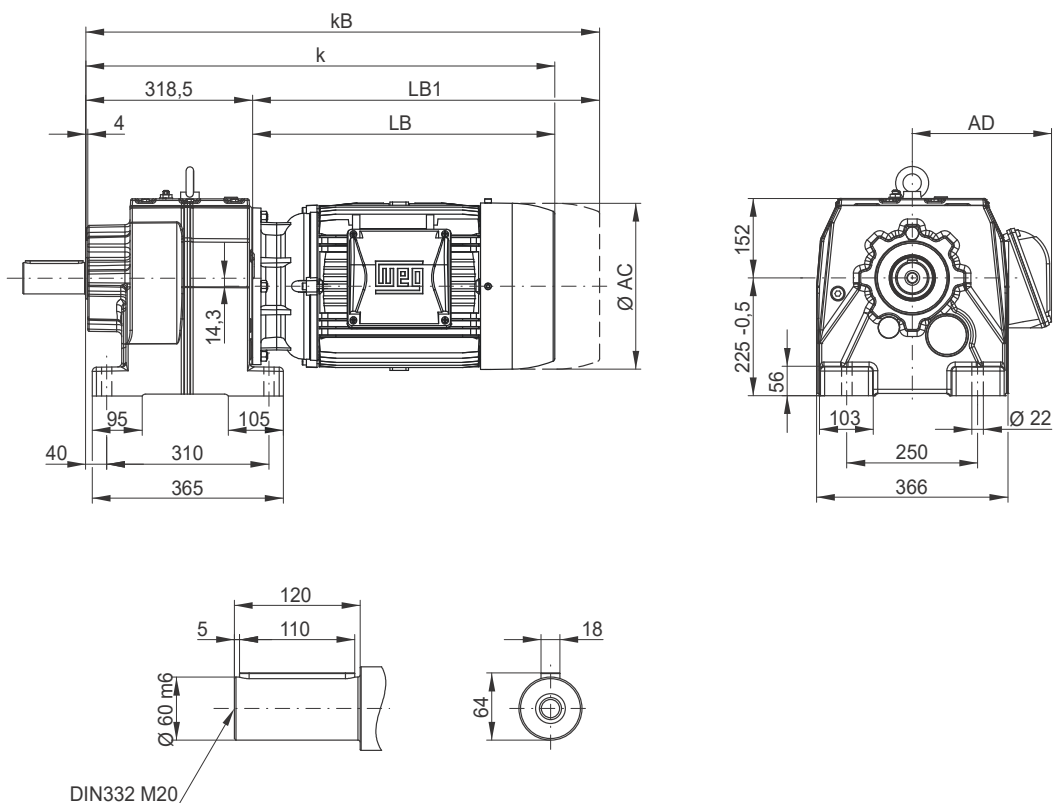
CA08 - Foot mounted and B5 flange execution

mountable flange sizes on the housing: Ø 300



Dimensions in mm.

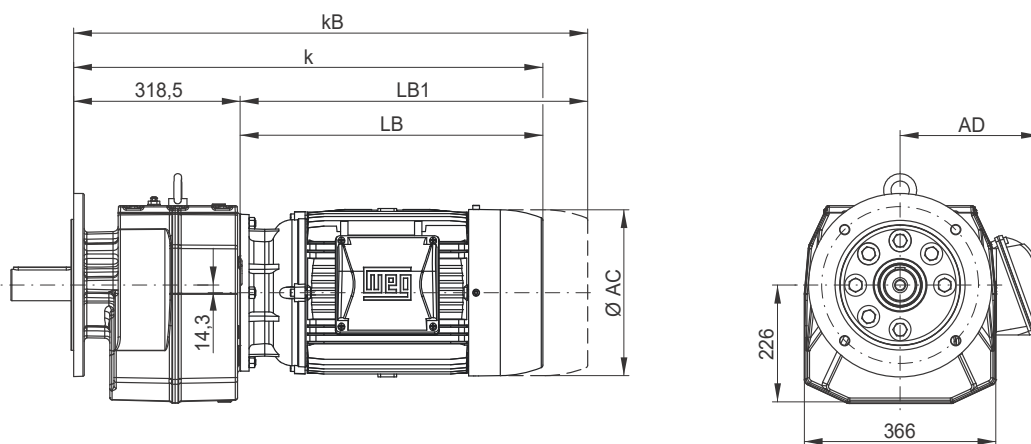
CG092 / CG093 - Foot mounted



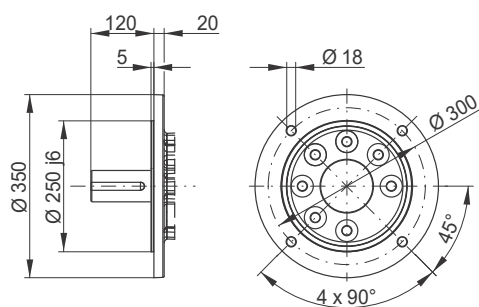
Motor fr.	63	71	80	L80	90S/L	100L	L100L	112M	132S,M	L132M	160M	160L	180M	180L	200L
AC	126	141	159	159	178	199	199	221	261	261	329	329	347	347	386
AD	128	136	145	145	155	165	165	185	205	205	266	266	281	281	317
k	523	557	565	589	607	657	695	667	732	770	854	898	922	960	1052
kB	567	606	623	647	680	741	779	754	850	888	978	1022	1040	1078	1178
LB	204	238	246	270	288	338	376	348	413	451	535	579	603	641	733
LB1	248	287	304	328	361	422	460	435	531	569	659	703	721	759	859

Motor dimension sheets see page 496; Gear unit size C092/C093 corresponds to motor flange FR-300.
Description of motor lengths LB and LB1 see page 500

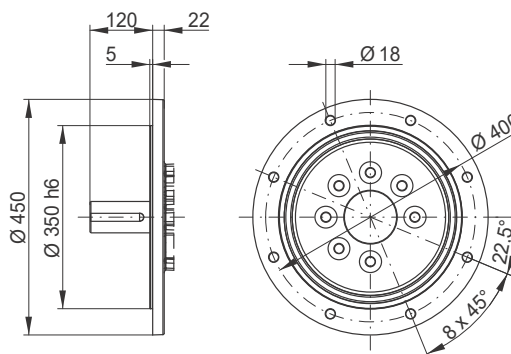
CF092 / CF093 - Flange execution



Flange Ø 350

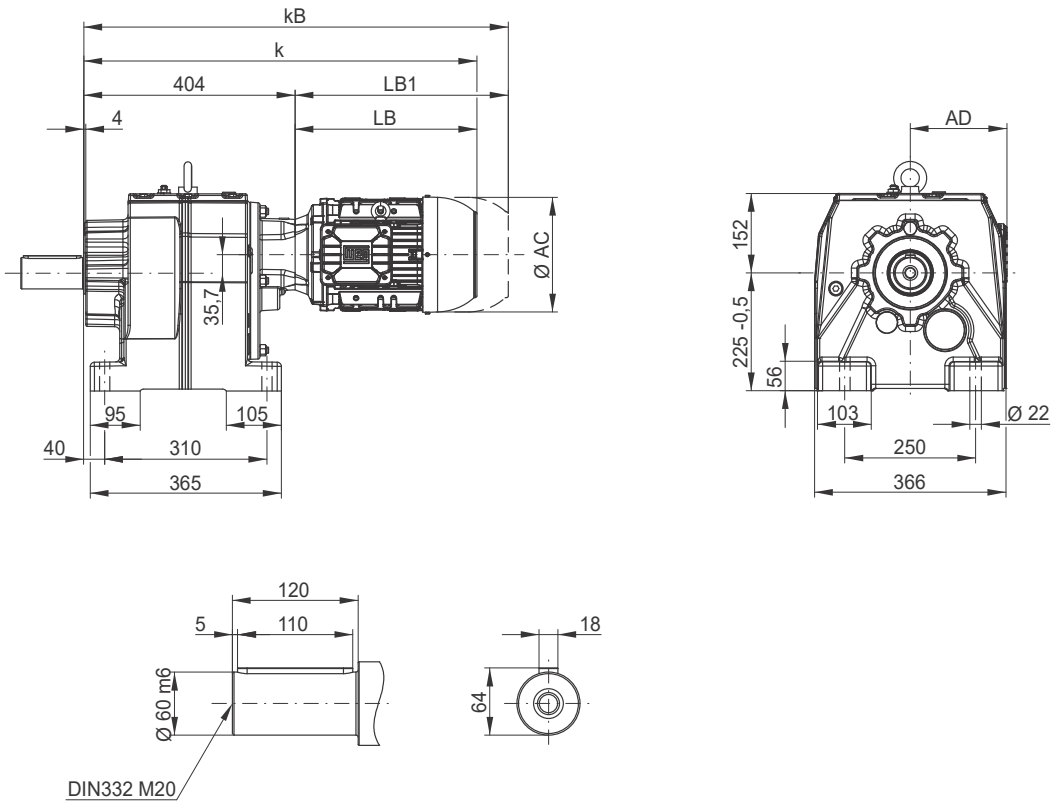


Flange Ø 450



Dimensions in mm.

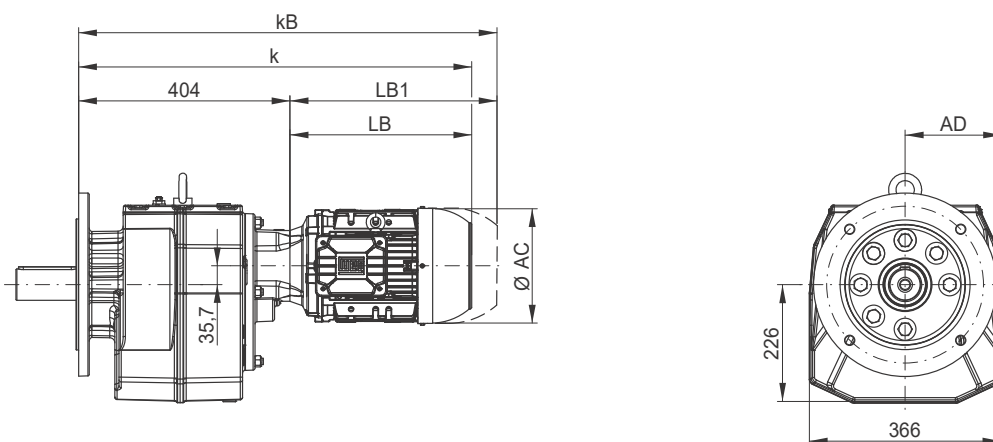
CG094 - Foot mounted



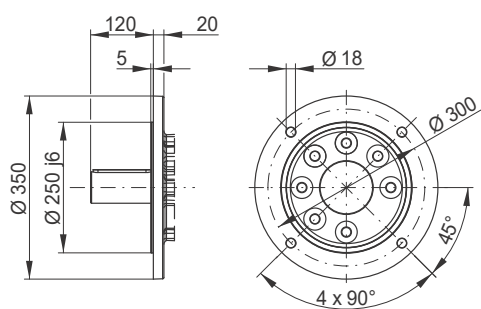
Motor fr.	63	71	80	L80	90S/L	100L	L100L	112M	132S,M	L132M
Dimension										
AC	126	141	159	159	178	199	199	221	261	261
AD	128	136	145	145	155	165	165	185	205	205
k	608	642	650	674	692	742	780	752	817	855
kB	652	691	708	732	765	826	864	839	935	973
LB	204	238	246	270	288	338	376	348	413	451
LB1	248	287	304	328	361	422	460	435	531	569

Motor dimension sheets see page 496; Gear unit size C094 corresponds to motor flange FR-300.
Description of motor lengths LB and LB1 see page 500

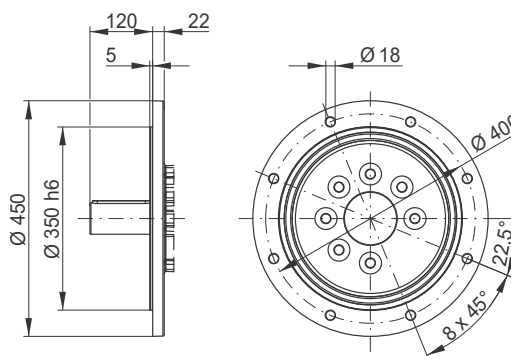
CF094 - Flange execution



Flange $\varnothing 350$



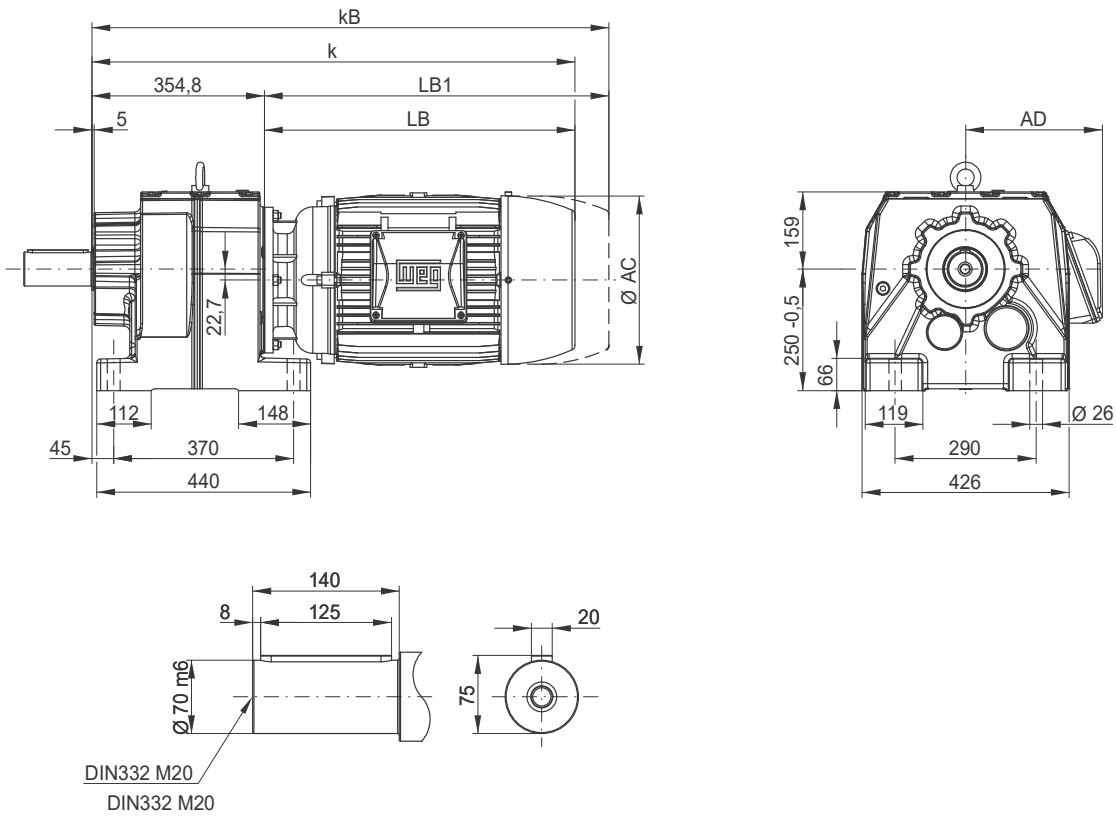
Flange $\varnothing 450$



Dimensions in mm.

CG102 / CG103 - Foot mounted

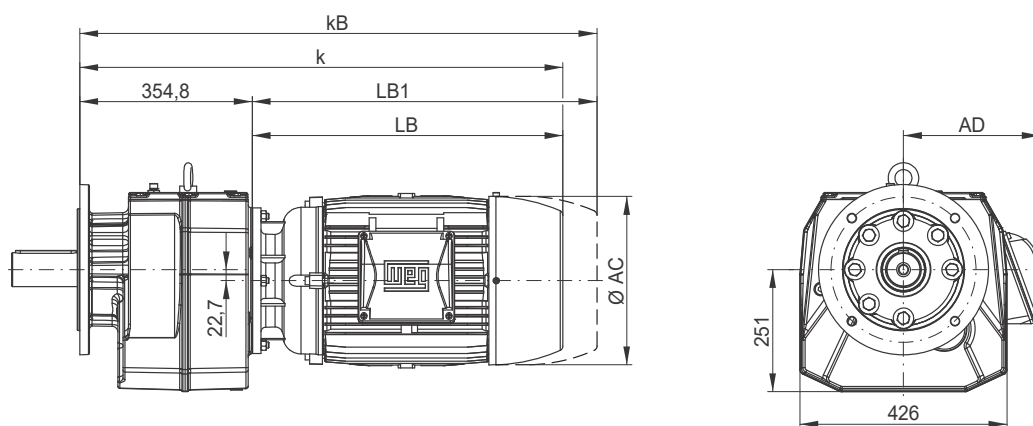
C



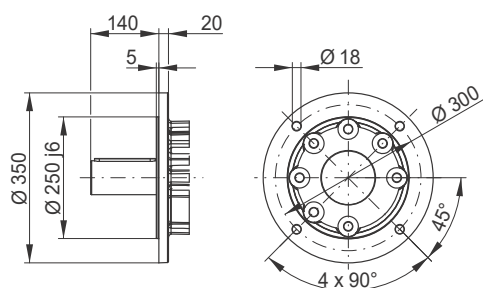
Motor fr.	63	71	80	L80	90S/L	100L	L100L	112M	132S,M	L132M	160M	160L	180M	180L	200L
AC	126	141	159	159	178	199	199	221	261	261	329	329	347	347	386
AD	128	136	145	145	155	165	165	185	205	205	266	266	281	281	317
k	559	593	601	625	643	693	731	703	768	806	900	934	958	996	1088
kB	603	642	659	683	716	777	815	790	886	924	1014	1058	1076	1114	1214
LB	204	238	246	270	288	338	376	348	413	451	545	579	603	641	733
LB1	248	287	304	328	361	422	460	435	531	569	659	703	721	759	859

Motor dimension sheets see page 496; Gear unit size C102/C103 corresponds to motor flange FR-300.
Description of motor lengths LB and LB1 see page 500

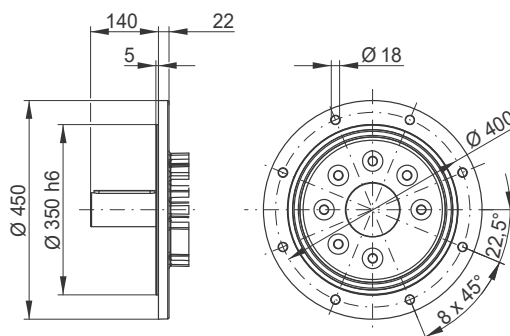
CF102 / CF103 - Flange execution



Flange $\varnothing 350$

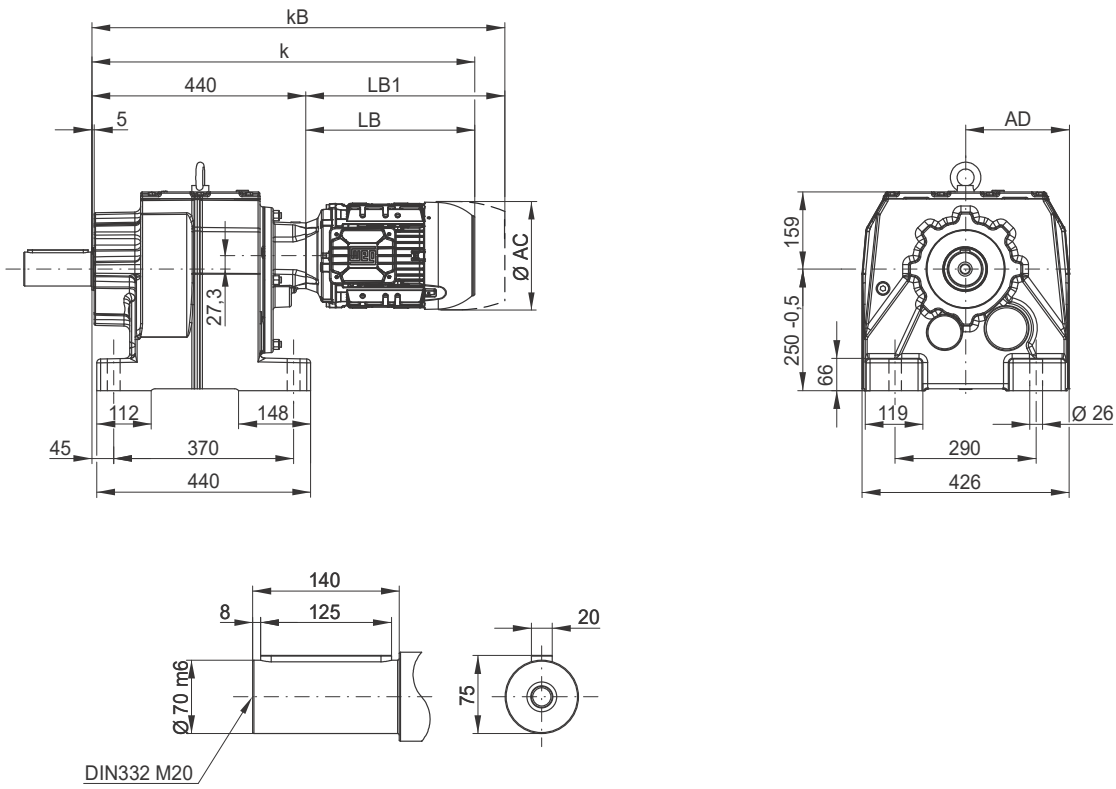


Flange $\varnothing 450$



Dimensions in mm.

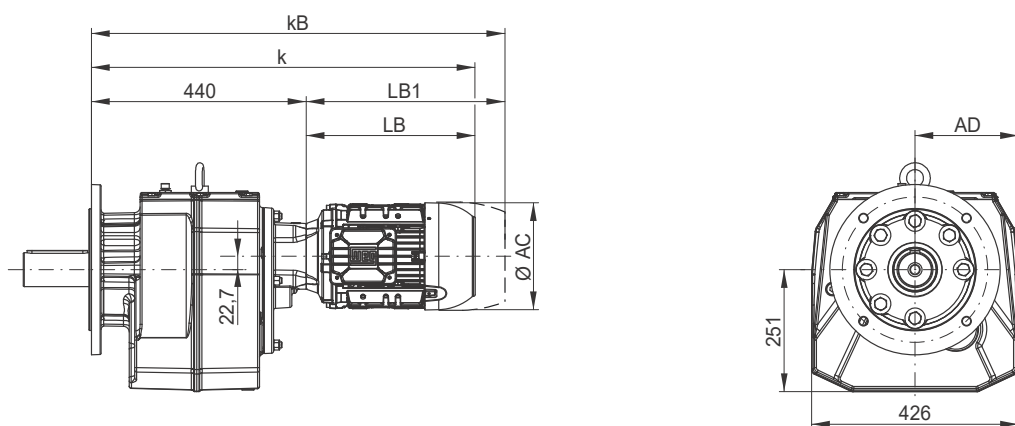
CG104 - Foot mounted



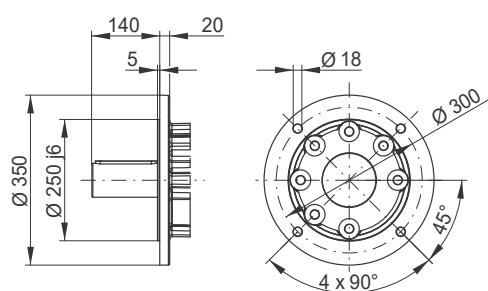
Motor fr.	63	71	80	L80	90S/L	100L	L100L	112M	132S,M	L132M
Dimension										
AC	126	141	159	159	178	199	199	221	261	261
AD	128	136	145	145	155	165	165	185	205	205
k	644	678	686	710	728	778	816	788	853	891
kB	688	727	744	768	801	862	900	875	971	1009
LB	204	238	246	270	288	338	376	348	413	451
LB1	248	287	304	328	361	422	460	435	531	569

Motor dimension sheets see page 496; Gear unit size C104 corresponds to motor flange FR-300.
Description of motor lengths LB and LB1 see page 500

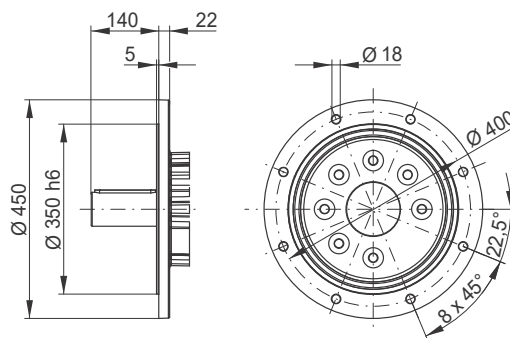
CF104 - Flange execution



Flange $\varnothing 350$

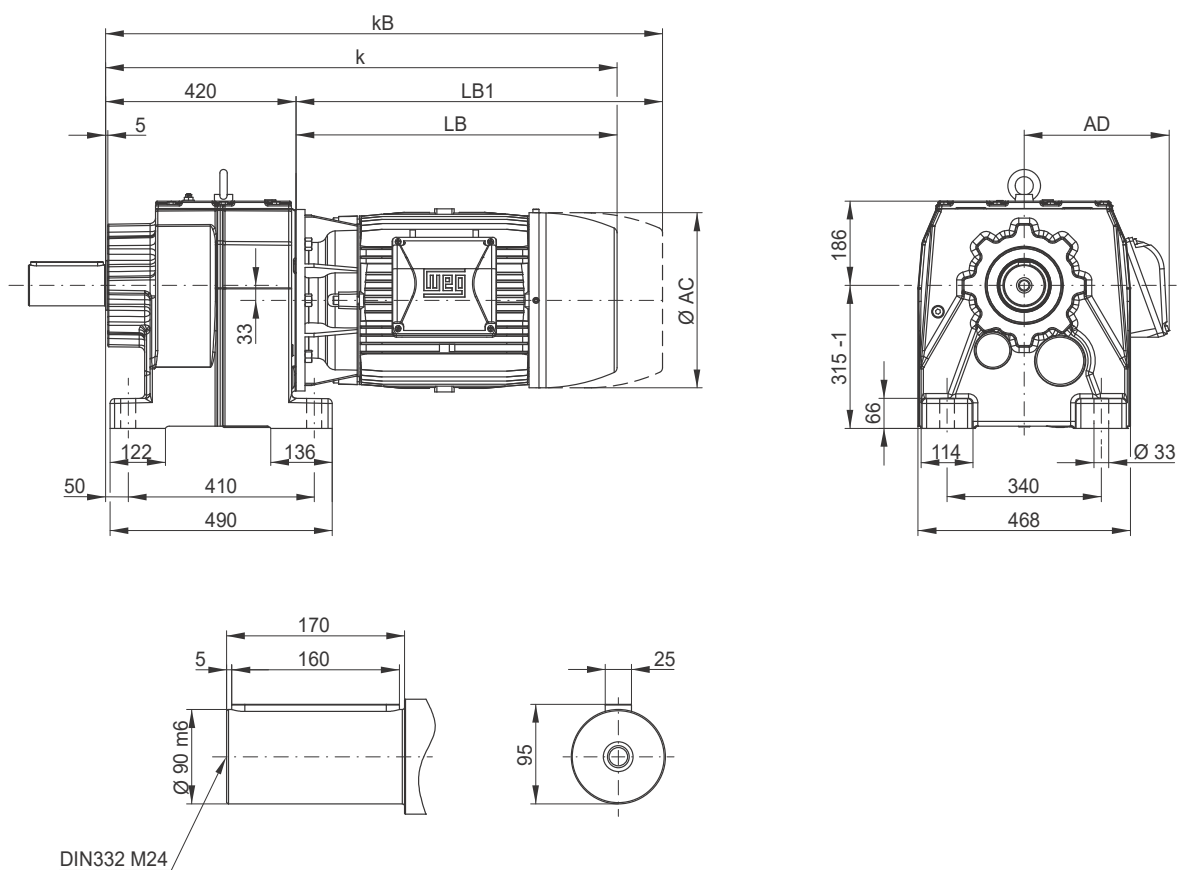


Flange $\varnothing 450$



Dimensions in mm.

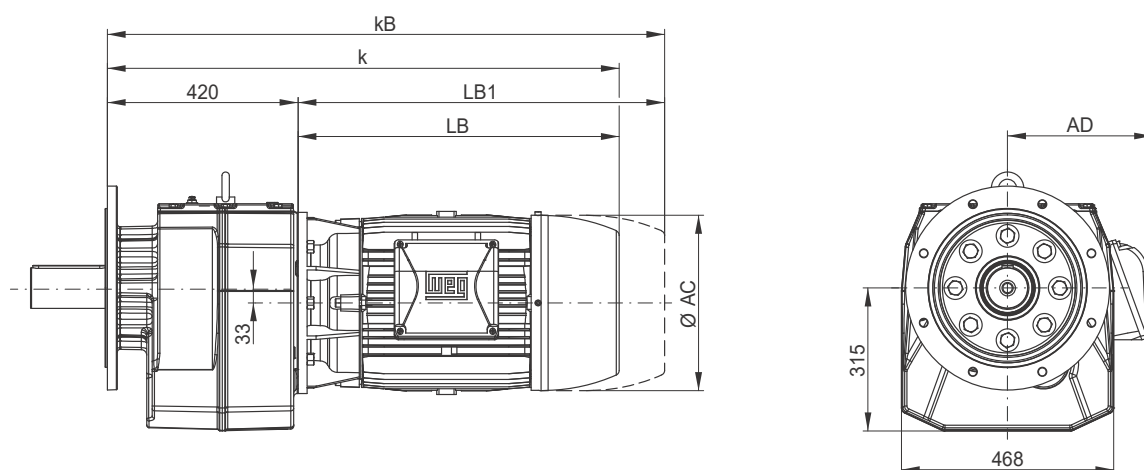
CG132 / CG133 - Foot mounted



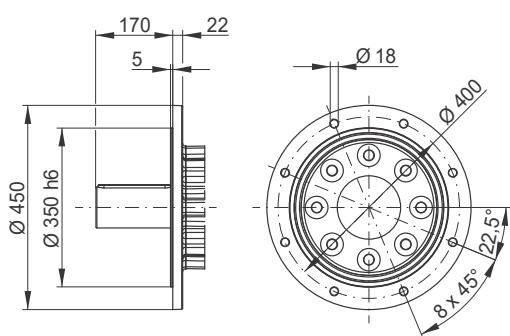
Motor fr.	63	71	80	L80	90S/L	100L	L100L	112M	132S,M	L132M	160M	160L	180M	180L	200L	225S/M
Dimension																
AC	-	-	-	-	-	-	-	221	261	261	329	329	347	347	386	453
AD	-	-	-	-	-	-	-	185	205	205	266	266	281	281	317	385
k	-	-	-	-	-	-	-	768	833	871	942	986	1010	1048	1140	1248
kB	-	-	-	-	-	-	-	855	951	989	1066	1110	1128	1166	1266	1366
LB	-	-	-	-	-	-	-	348	413	451	522	566	590	628	720	828
LB1	-	-	-	-	-	-	-	435	531	569	646	690	708	746	846	946

Motor dimension sheets see page 496; Gear unit size C132/C133 corresponds to motor flange FR-400.
Description of motor lengths LB and LB1 see page 500

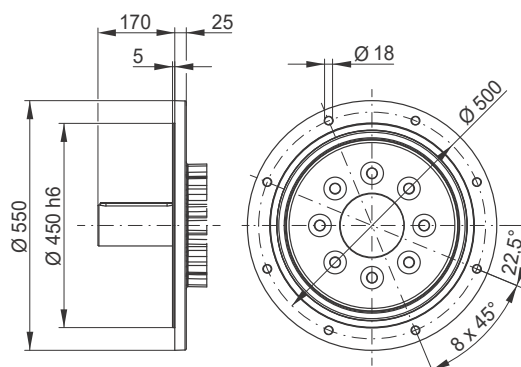
CF132 / CF133 - Flange execution



Flange Ø 450

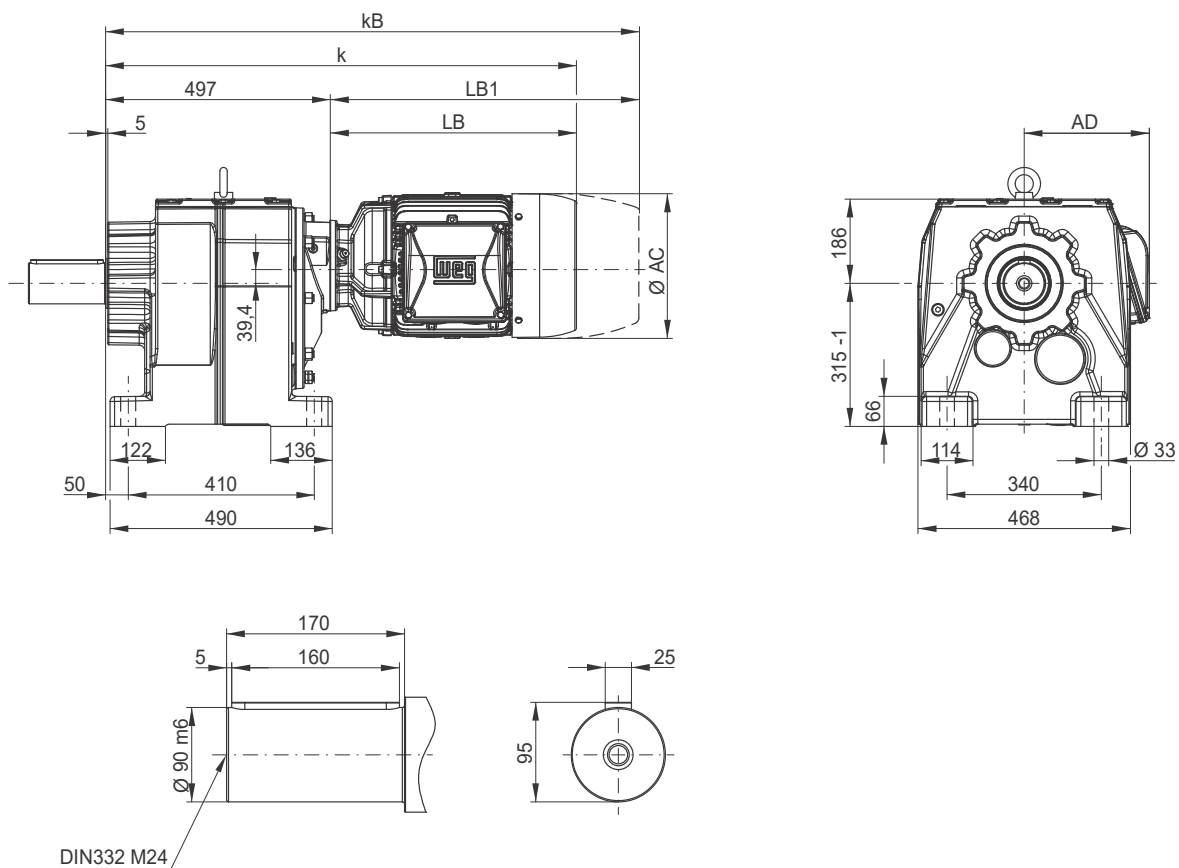


Flange Ø 550



Dimensions in mm.

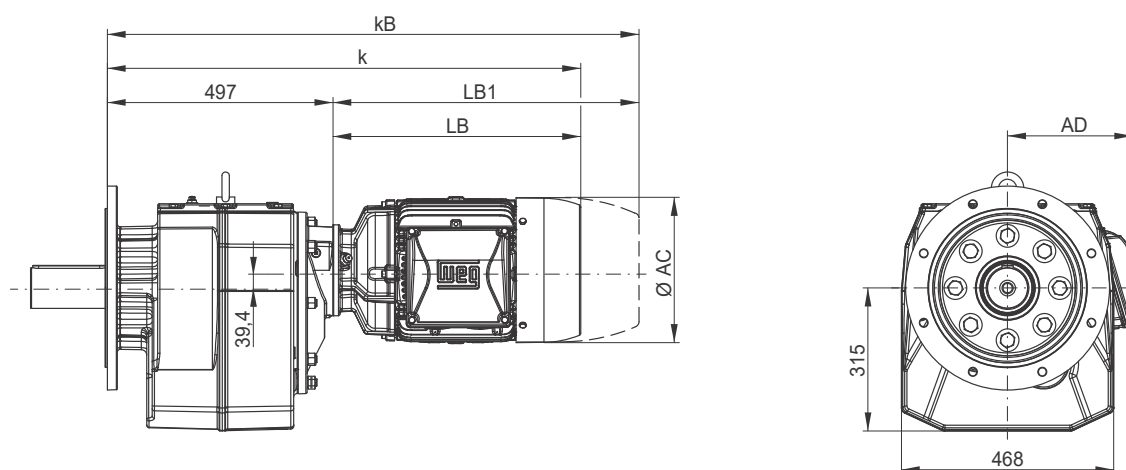
CG134 - Foot mounted



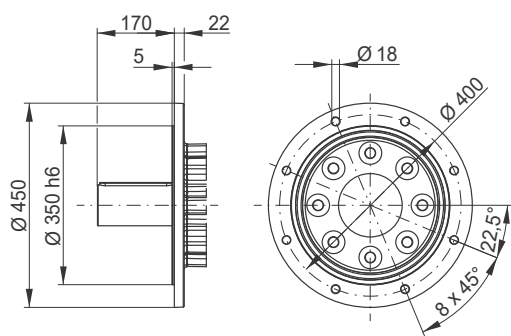
Motor fr.	63	71	80	L80	90S/L	100L	L100L	112M	132S,M	L132M	160M	160L
Dimension												
AC	126	141	159	159	178	199	199	221	261	261	329	329
AD	128	136	145	145	155	165	165	185	205	205	266	266
k	701	735	743	767	785	835	873	845	910	948	1042	1086
kB	745	784	801	825	858	919	957	932	1028	1066	1166	1210
LB	204	238	246	270	288	338	376	348	413	451	545	589
LB1	248	287	304	328	361	422	460	435	531	569	669	713

Motor dimension sheets see page 496; Gear unit size C134 corresponds to motor flange FR-400.
Description of motor lengths LB and LB1 see page 500

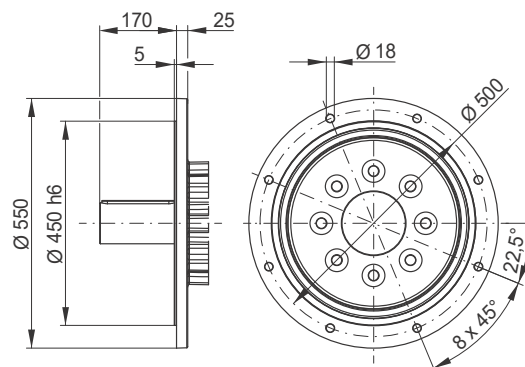
CF134 - Flange execution



Flange $\varnothing 450$

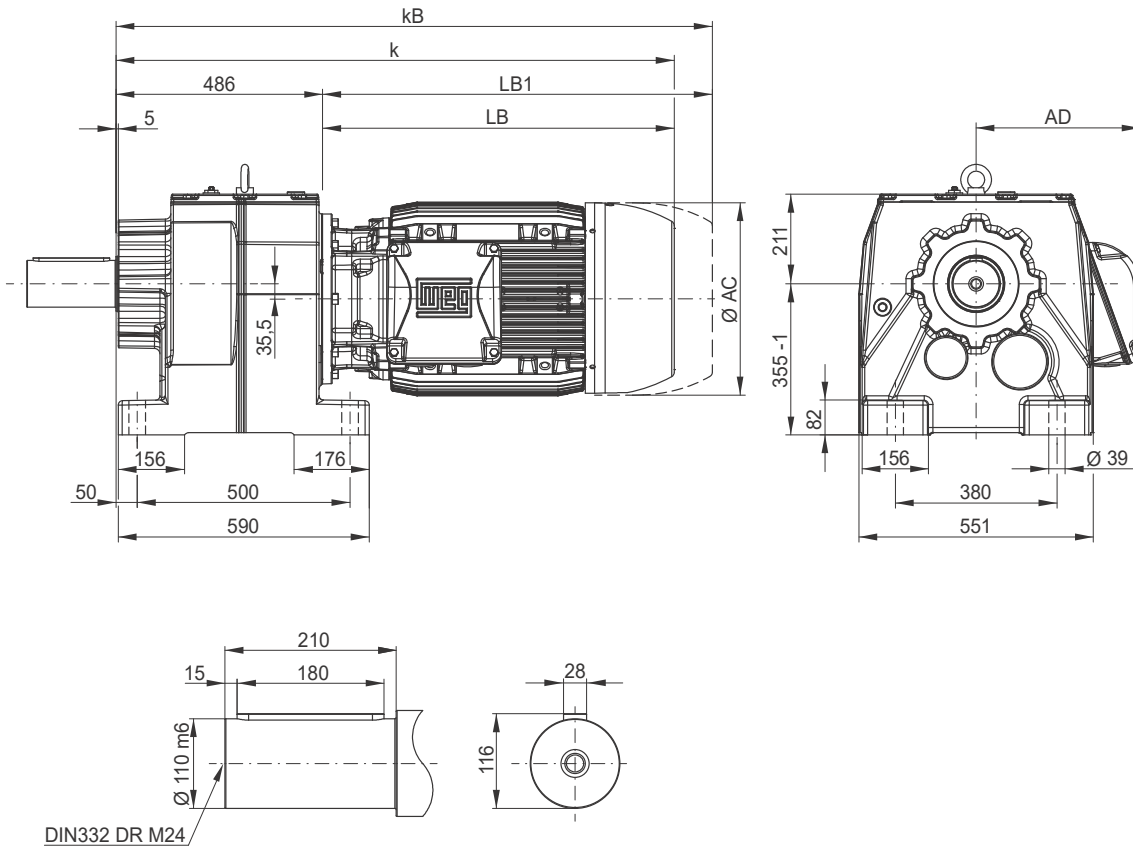


Flange $\varnothing 550$



Dimensions in mm.

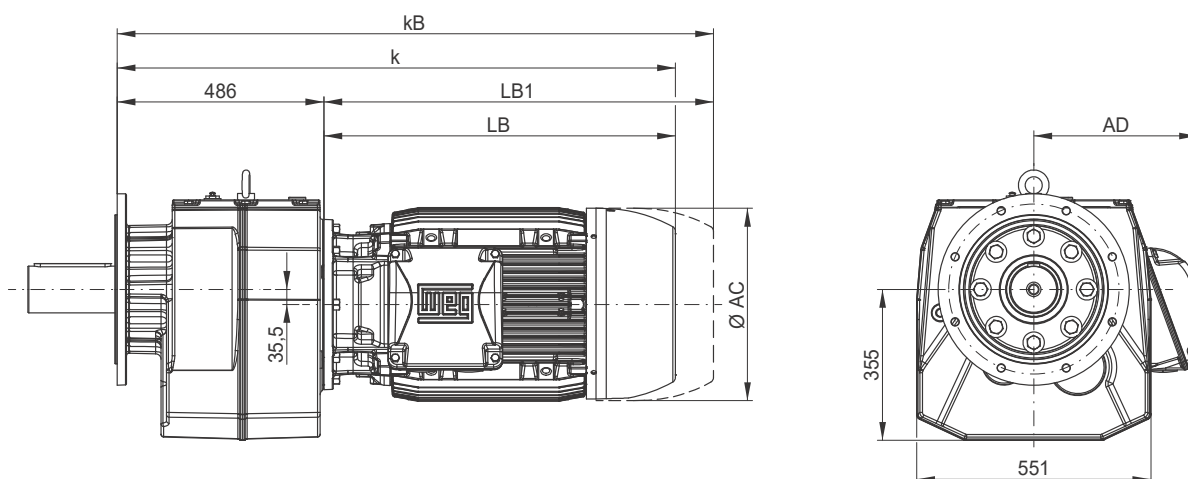
CG142 / CG143 - Foot mounted



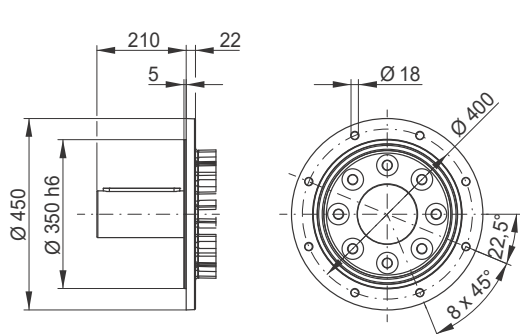
Motor fr.	63	71	80	L80	90S/L	100L	L100L	112M	132S,M	L132M	160M	160L	180M	180L	200L	225S/M
Dimension																
AC	-	-	-	-	-	-	-	221	261	261	329	329	347	347	386	453
AD	-	-	-	-	-	-	-	185	205	205	266	266	281	281	317	385
k	-	-	-	-	-	-	-	834	899	937	1008	1052	1076	1114	1206	1314
kB	-	-	-	-	-	-	-	921	1017	1055	1132	1176	1194	1232	1332	1432
LB	-	-	-	-	-	-	-	348	413	451	522	566	590	628	720	828
LB1	-	-	-	-	-	-	-	435	531	569	646	690	708	746	846	946

Motor dimension sheets see page 496; Gear unit size C142/143 corresponds to motor flange FR-400.
Description of motor lengths LB and LB1 see page 500

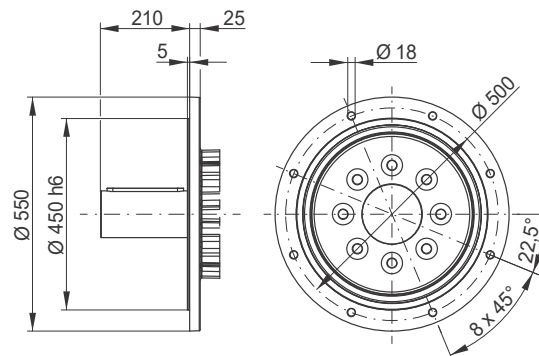
CF142 / CG143 - Flange execution



Flange Ø 450

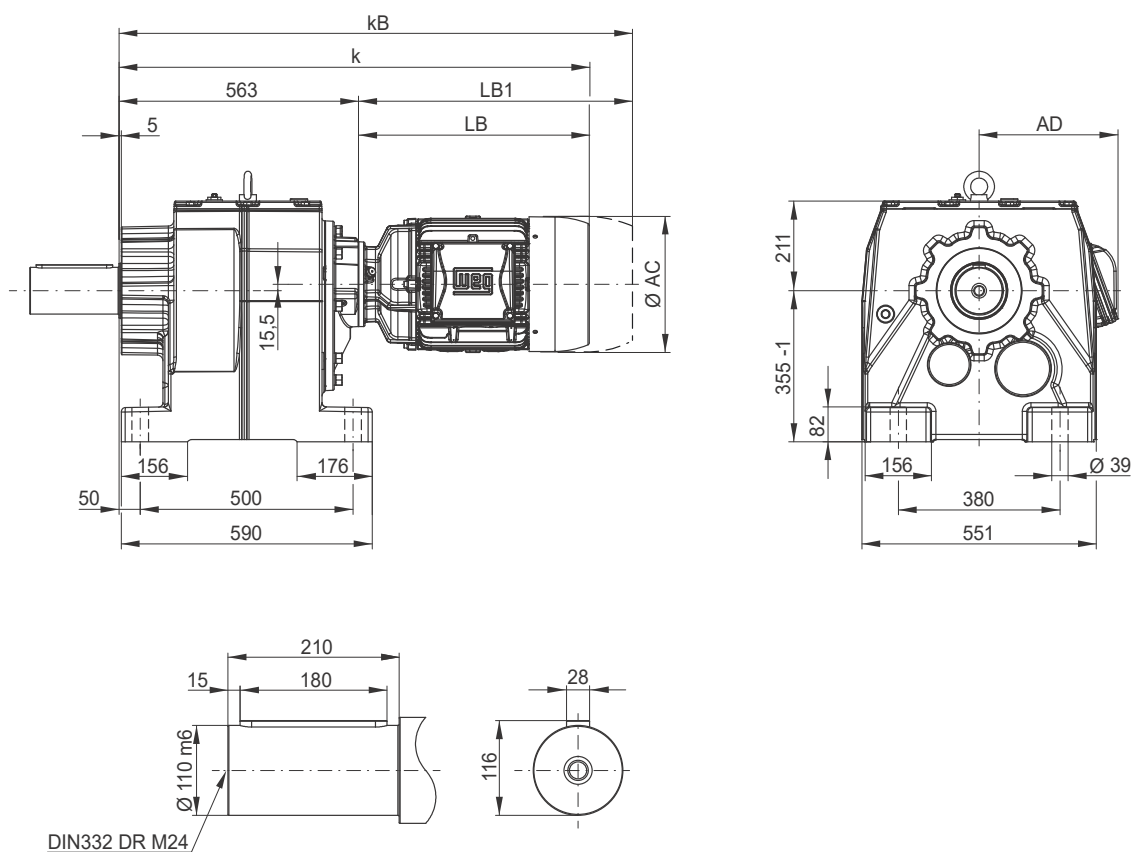


Flange Ø 550



Dimensions in mm.

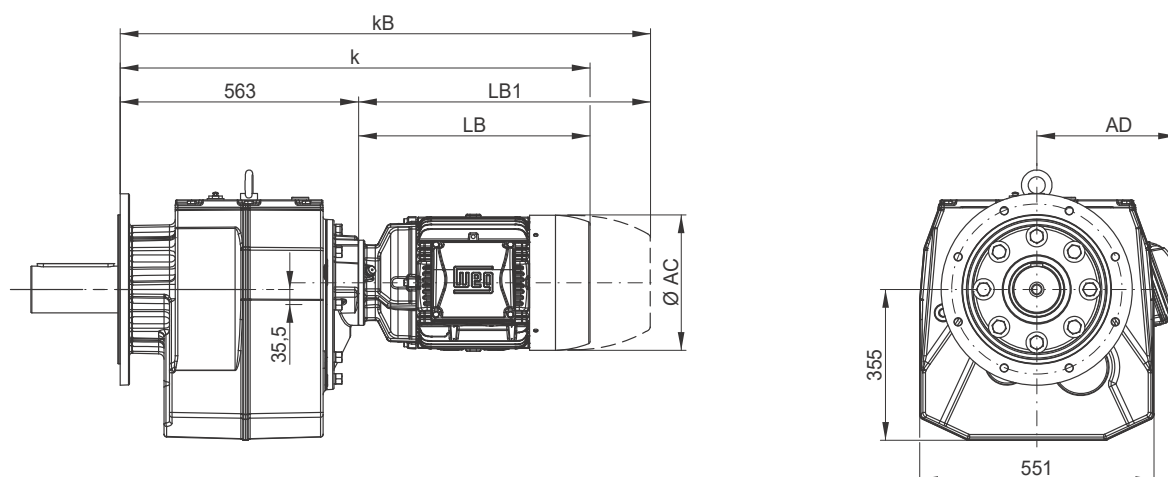
CG144 - Foot mounted



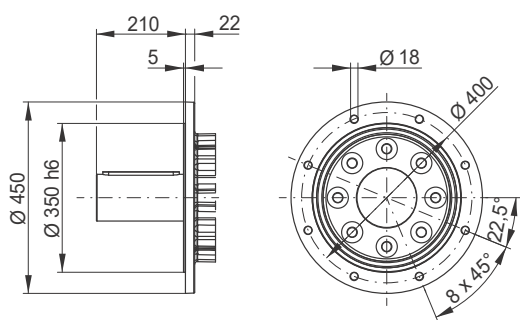
Motor fr.	63	71	80	L80	90S/L	100L	L100L	112M	132S,M	L132M	160M	160L
AC	126	141	159	159	178	199	199	221	261	261	329	329
AD	128	136	145	145	155	165	165	185	205	205	266	266
k	767	801	809	833	851	901	939	911	976	1014	1108	1152
kB	811	850	867	891	924	985	1023	998	1094	1132	1232	1276
LB	204	238	246	270	288	338	376	348	413	451	545	589
LB1	248	287	304	328	361	422	460	435	531	569	669	713

Motor dimension sheets see page 496; Gear unit size C144 corresponds to motor flange FR-400.
Description of motor lengths LB and LB1 see page 500

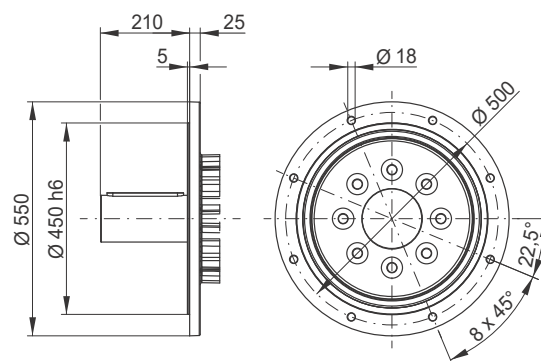
CF144 - Flange execution



Flange Ø 450

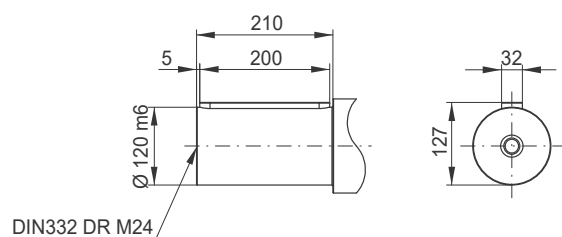
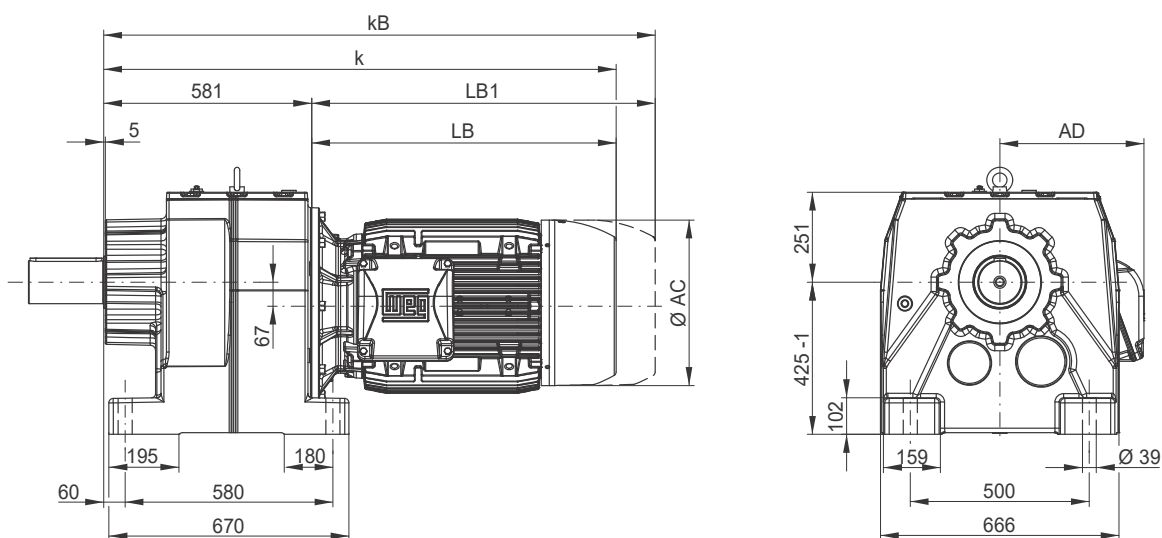


Flange Ø 550



Dimensions in mm.

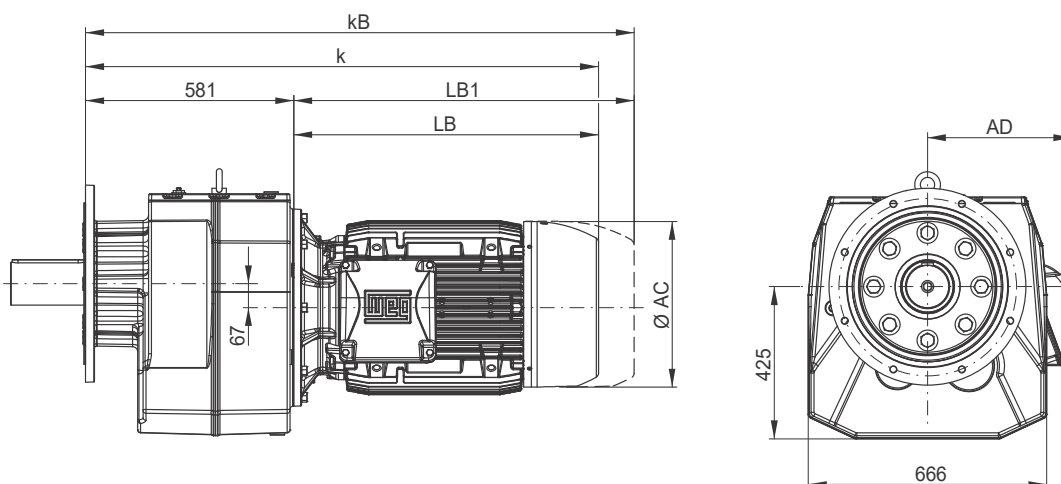
CG162 / CG163 - Foot mounted



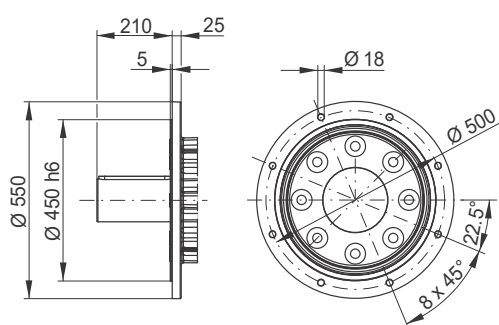
Motor fr.	63	71	80	L80	90S/L	100L	L100L	112M	132S,M	L132M	160M	160L	180M	180L	200L	225S/M	250S/M
Dimension																	
AC	-	-	-	-	-	-	-	-	-	-	329	329	347	347	386	453	482
AD	-	-	-	-	-	-	-	-	-	-	266	266	281	281	317	385	403
k	-	-	-	-	-	-	-	-	-	-	1087	1131	1155	1193	1285	1393	1432
kB	-	-	-	-	-	-	-	-	-	-	1211	1255	1273	1311	1411	1511	1550
LB	-	-	-	-	-	-	-	-	-	-	506	550	574	612	704	812	851
LB1	-	-	-	-	-	-	-	-	-	-	630	674	692	730	830	930	969

Motor dimension sheets see page 496; Gear unit size C162/C163 corresponds to motor flange FR-550.
Description of motor lengths LB and LB1 see page 500

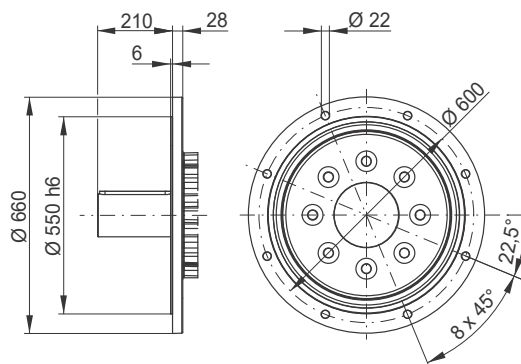
CF162 / CF163 - Flange execution



Flange $\varnothing 550$

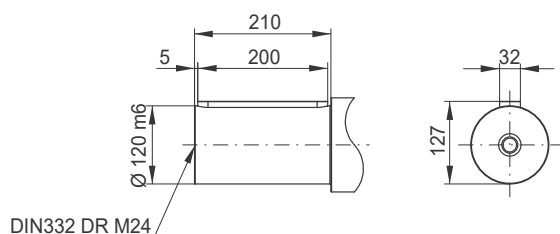
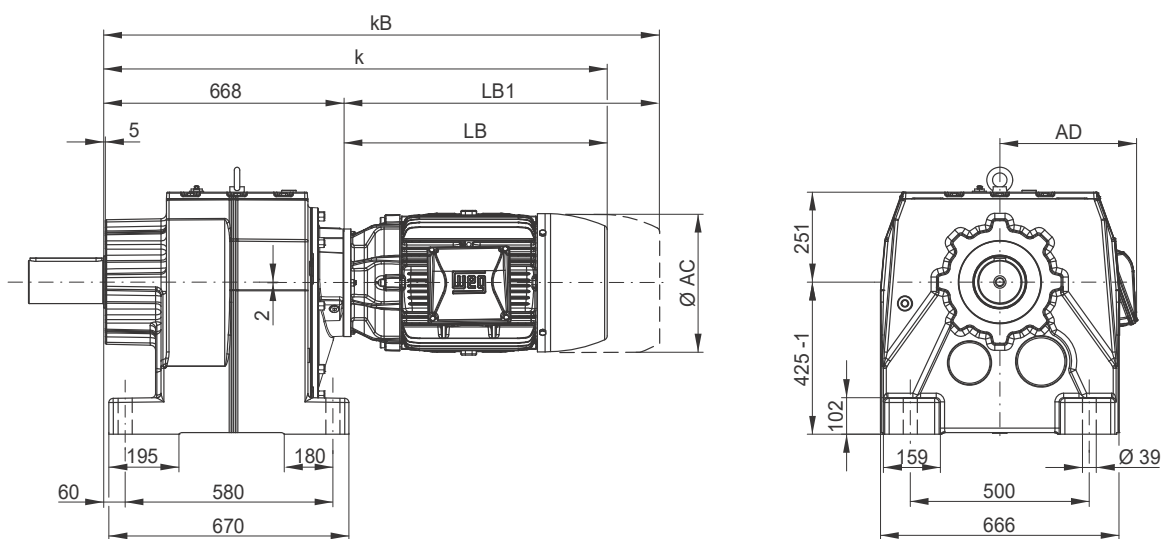


Flange $\varnothing 660$



Dimensions in mm.

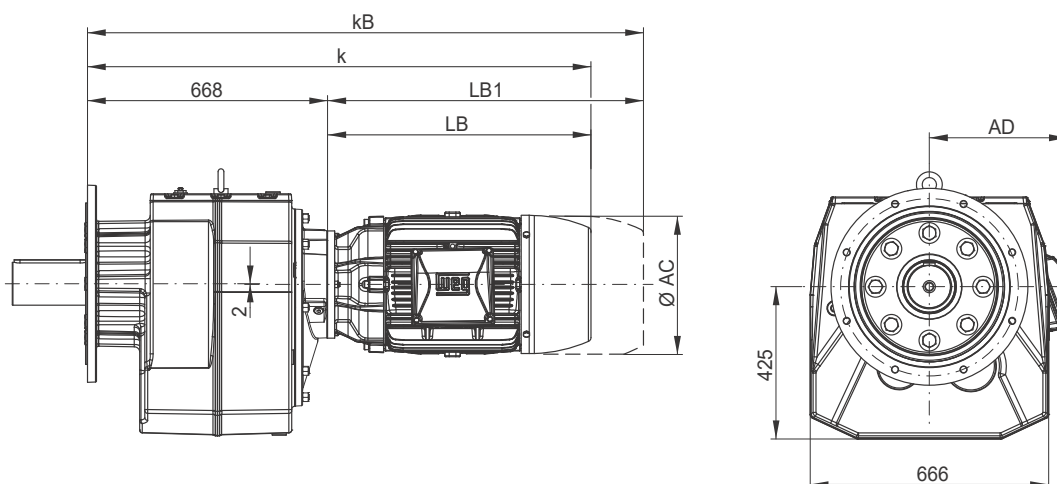
CG164 - Foot mounted



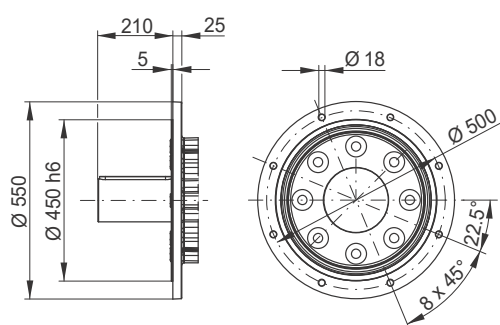
Motor fr.	63	71	80	L80	90S/L	100L	L100L	112M	132S,M	L132M	160M	160L	180M	180L	200L
Dimension															
AC	126	141	159	159	178	199	199	221	261	261	329	329	347	347	386
AD	128	136	145	145	155	165	165	185	205	205	266	266	281	281	317
k	204	238	246	270	288	338	376	348	413	451	535	579	603	641	733
kB	916	955	972	996	1029	1090	1128	1103	1199	1237	1327	1371	1389	1427	1527
LB	204	238	246	270	288	338	376	348	413	451	535	579	603	641	733
LB1	248	287	304	328	361	422	460	435	531	569	659	703	721	759	859

Motor dimension sheets see page 496; Gear unit size C164 corresponds to motor flange FR-400.
Description of motor lengths LB and LB1 see page 500

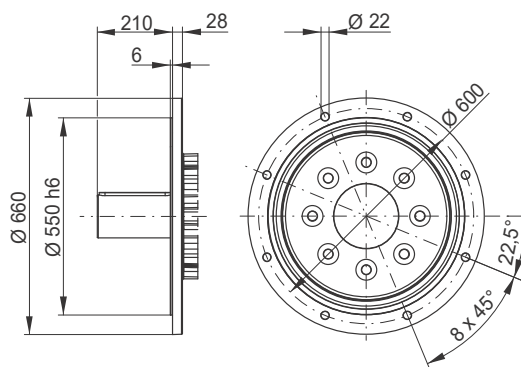
CF164 - Flange execution



Flange $\varnothing 550$

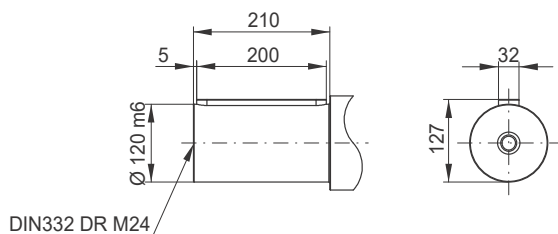
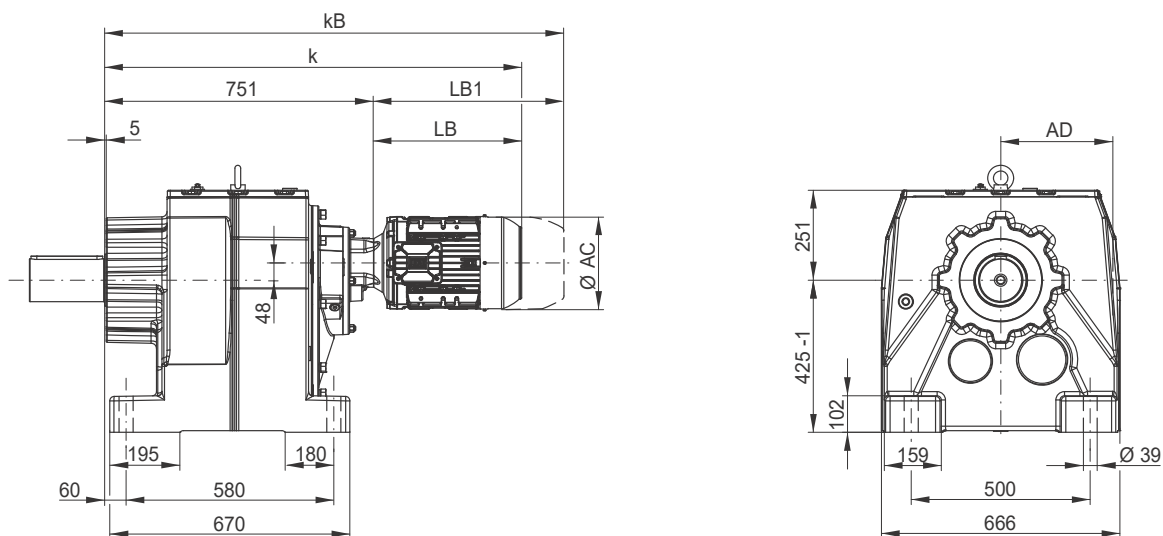


Flange $\varnothing 660$



Dimensions in mm.

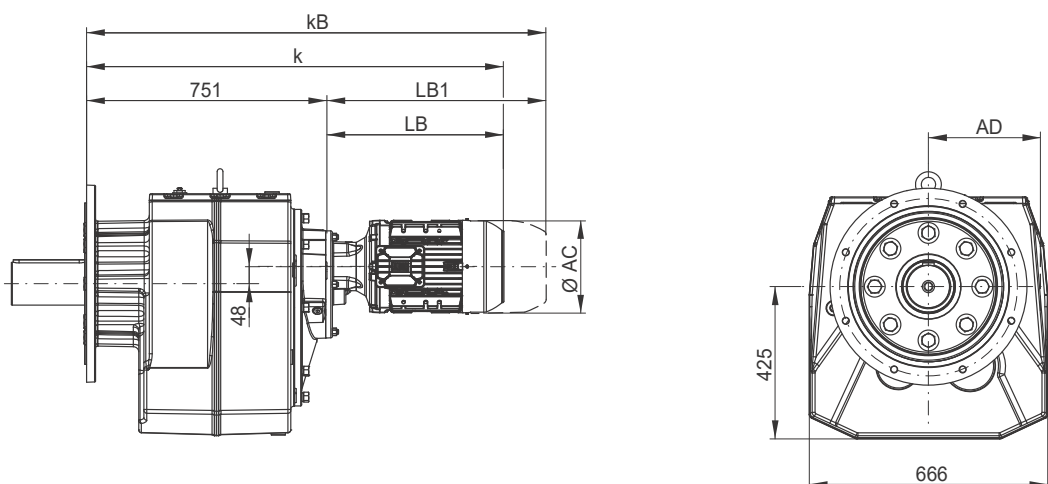
CG165 - Foot mounted



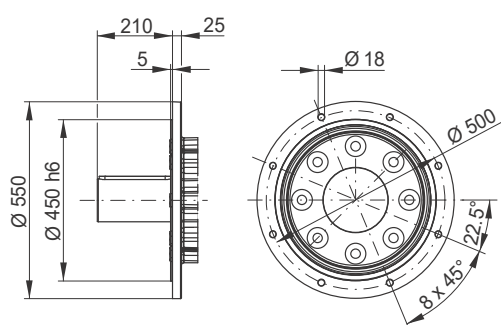
Motor fr.	63	71	80	L80	90S/L	100L	L100L	112M	132S,M	L132M
Dimension										
AC	126	141	159	159	178	199	199	221	261	261
AD	128	136	145	145	155	165	165	185	205	205
k	955	989	997	1021	1039	1089	1127	1099	1164	1202
kB	999	1038	1055	1079	1112	1173	1211	1186	1282	1320
LB	204	238	246	270	288	338	376	348	413	451
LB1	248	287	304	328	361	422	460	435	531	569

Motor dimension sheets see page 496; Gear unit size C165 corresponds to motor flange FR-400.
Description of motor lengths LB and LB1 see page 500

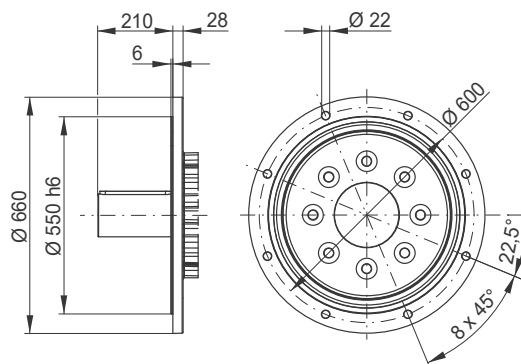
CF165 - Flange execution



Flange $\varnothing 550$

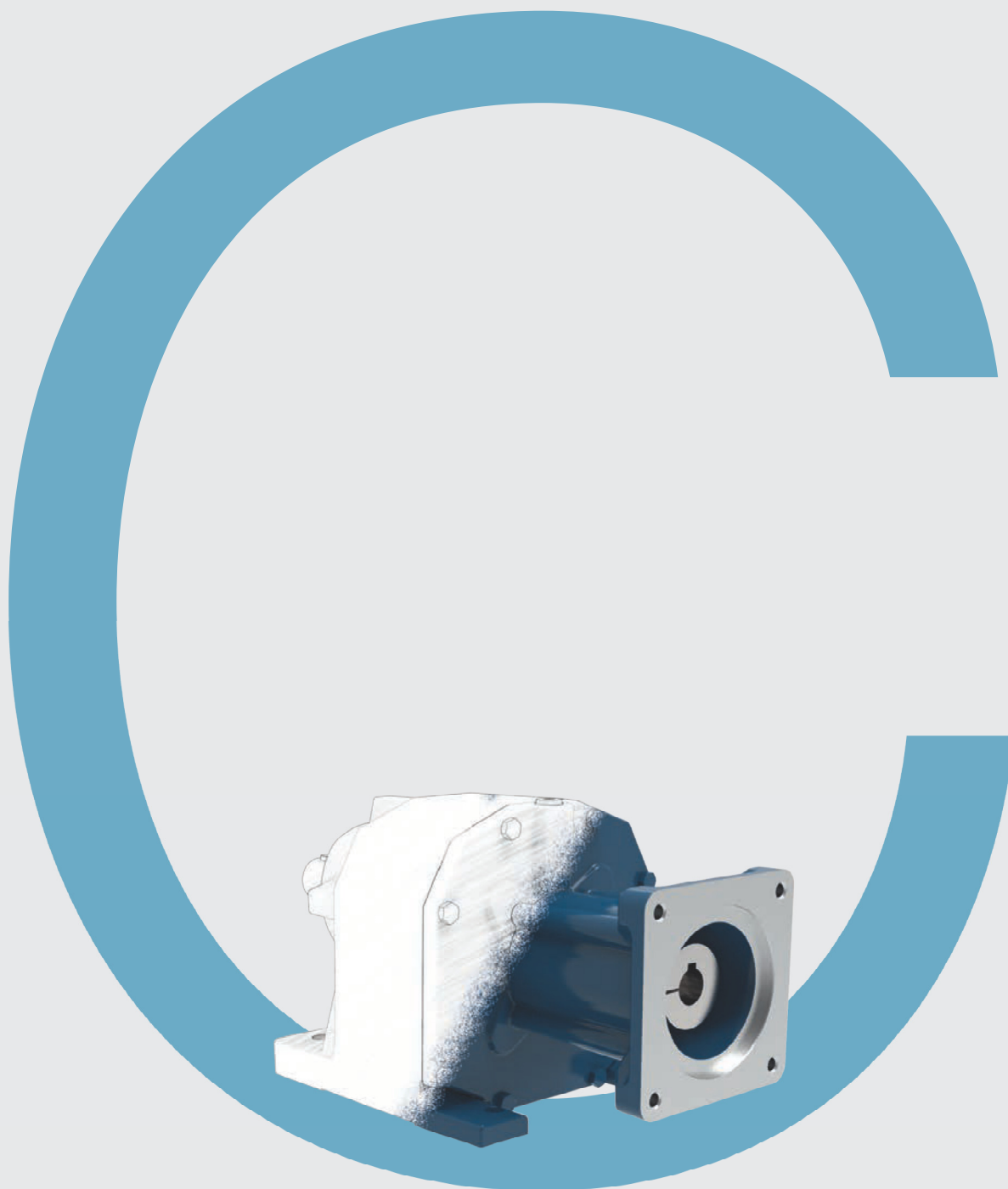


Flange $\varnothing 660$

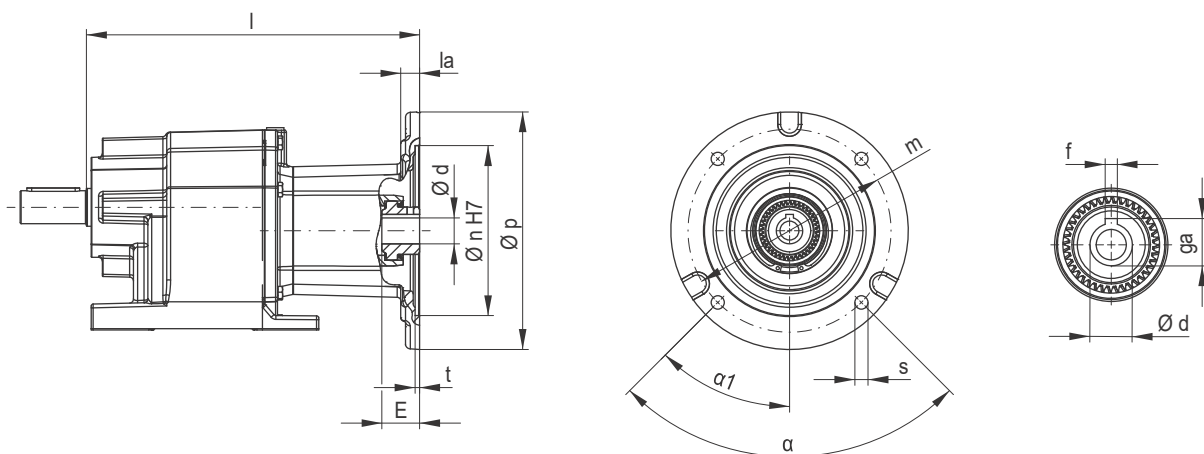


Dimensions in mm.

Dimension sheets Input types



IEC Adapter I63 to I280



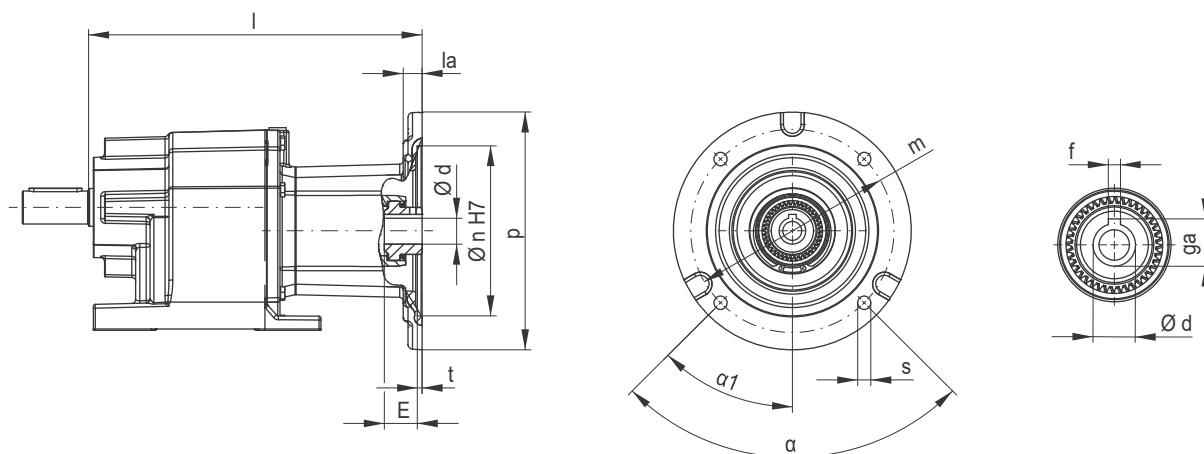
Type	I63	I71	I80	I90	I100	I112	I132	I160	I180	I200	I225	I250	I280
p	154	154	200	200	250	250	300	350	350	400	450	550	550
n	95	110	130	130	180	180	230	250	250	300	350	450	450
la	22.5	10	13	13	15	20	15	35	35	20	20	20	20
m	115	130	165	165	215	215	265	300	300	350	400	500	500
t	4.5	4.5	4.5	4.5	5	5	5	5	5	5.5	5	5	5
s	M8x16	M8x10	11	11	13.5	13.5	13.5	17.5	17.5	17.5	17.5	17.5	17.5
α	90	90	90	90	90	90	90	90	90	90	45	45	45
α ₁	35	45	45	45	45	45	45	45	45	45	45	45	45
d	11	14	19	24	28	28	38	42	48	55	60	65	75
f	4	5	6	8	8	8	10	12	14	16	18	18	20
ga	12.8	16.3	21.8	27.3	31.3	31.3	41.3	45.3	51.8	59.3	64.4	69.4	79.9
E ¹⁾	25	32	43	47.5	63	100	85.5	111.5	111.5	114.5	140	146	146

¹⁾ Maximum motor shaft length for motors with key

Gear unit size	I63	I71	I80	I90	I100	I112	I132	I160	I180	I200	I225	I250	I280
		l											
C00	150.5	150.5	178.5	-	-	-	-	-	-	-	-	-	-
C01	163	163	191	191	-	-	-	-	-	-	-	-	-
C03	190.5	190.5	218.5	218.5	249.5	-	-	-	-	-	-	-	-
C05	226	226	254	254	285	338	349	-	-	-	-	-	-
C06	241	241	269	269	300	353	364	-	-	-	-	-	-
C07	252.5	252.5	280.5	280.5	311.5	364.5	375.5	461.5	-	-	-	-	-
C08	293.5	293.5	321.5	321.5	352.5	405.5	416.5	498.5	498.5	-	-	-	-
C09	343	343	371	371	402	455	466	550.5	550.5	579	-	-	-
C10	379	379	407	407	438	491	502	586.5	586.5	615	-	-	-
C13	-	-	-	-	-	545.5	556.5	638.5	638.5	667	697	-	-
C14	-	-	-	-	-	611.5	622.5	704.5	704.5	733	763	852	-
C16	-	-	-	-	-	-	-	783.5	783.5	812	842	931	931

Dimensions in mm.

NEMA Adapter N56 to N364

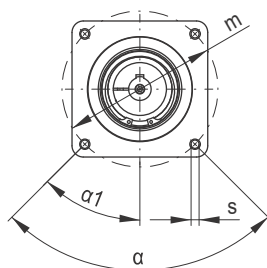
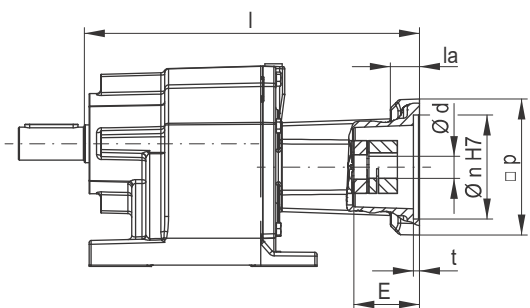


Type	N56	N143/145	N182	N184	N213/215	N254/256	N284/286	N324/326	N364
p	170	170	250	250	300	225	280	350	400
n	114.3	114.3	215.9	215.9	215.9	215.9	266.7	317.5	317.5
la	13	13	10	16.8	10	30	35	15	15
m	149.225	149.225	184.15	184.15	184.15	184.15	228.6	279.4	279.4
t	4.5	4.5	5	3.2	5	5	3	5	5
s	11	11	14	14	14	14	14	19	19
α	90	90	90	90	90	90	90	90	90
α ₁	45	45	45	45	45	45	45	45	45
d	15.875	22.225	28.575	28.575	34.925	41.275	47.625	53.975	60.325
f	4.775	4.775	6.350	6.350	7.950	9.525	12.700	12.700	15.875
ga	18.008	24.486	31.521	31.521	38.557	45.618	53.238	59.690	67.335
E ¹⁾	55	55	67.5	96.8	80.5	105.5	111.5	109.5	109.5

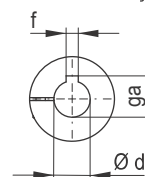
¹⁾ Maximum motor shaft length for motors with key

Gear unit size	N56	N143/145	N182	N184	N213/215	N254/256	N284/286	N324/326	N364
	l								
C00	178.5	178.5	-	-	-	-	-	-	-
C01	191	191	-	-	-	-	-	-	-
C03	218.5	218.5	249.5	-	-	-	-	-	-
C05	254	254	285	338	349	-	-	-	-
C06	269	269	300	353	364	-	-	-	-
C07	280.5	280.5	311.5	364.5	375.5	461.5	-	-	-
C08	321.5	321.5	352.5	405.5	416.5	498.5	501.5	-	-
C09	371	371	402	455	466	550.5	553.5	601	-
C10	407	407	438	491	502	586.5	589.5	637	-
C13	-	-	-	545.5	556.5	638.5	641.5	689	704.5
C14	-	-	-	611.5	622.5	704.5	707.5	755	770.5
C16	-	-	-	-	-	783.5	786.5	849.5	849.5

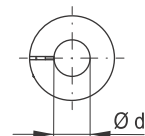
SERVO Adapter S92 to S190



Shaft with key



Smooth shaft



C

Type	S92	S105	S114	S115	S130	S141	S142	S180	S189	S190									
p	101	144	144	144	144	144	144	197	197	197									
n	80	95	95	110	110	110	130	114.3	130	180									
la	17.5	31	31	31	31	31	31	35	32	38									
m	100	115	130	130	145	165	165	200	215	215									
t	6.5	6.5	6.5	6.5	6.5	6.5	6.5	6.5	6.5	6.5									
s	M6x12	M8x16	M8x16	M8x16	M8x16	M8x16	M8x16	13.5	15	15									
α	90°	90°	90°	90°	90°	90°	90°	90°	90°	90°									
α ₁	45°	45°	45°	45°	45°	45°	45°	45°	45°	45°									
d ¹⁾	14	16	19	19	19	22	24	28	24	24	32	35	32	38	38				
f	5	5	6	6	6	6	8	8	8	8	10	10	10	10	10				
ga	16.3	18.3	21.8	21.8	21.8	27.3	21.8	27.3	21.8	24.8	27.3	31.3	27.3	27.3	35.3	38.3	35.3	41.3	41.3
E ²⁾	46	46	34	67	67	54	67	54	76	63	63	63	54	63	63	66	74	60	87
E ³⁾	46	46	46	67	67	67	67	67	76	76	76	63	67	76	63	87	74	60	87

¹⁾ Other shaft diameters on request

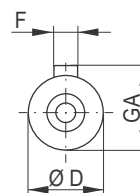
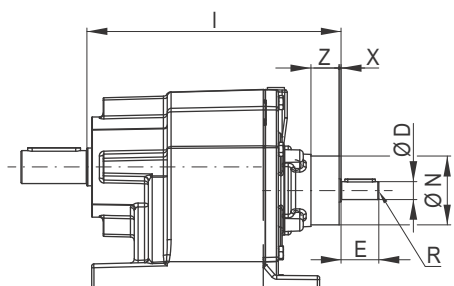
²⁾ Maximum motor shaft length for motors with key

³⁾ Maximum motor shaft length for motors with smooth shaft

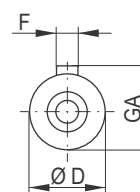
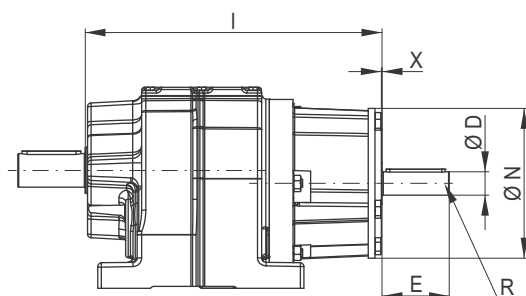
Gear unit size	S92	S105	S114	S115	S130	S141	S142	S180	S189	S190
	I									
C00	216	264	264	264	264	264	264	-	-	-
C01	228.5	276.5	276.5	276.5	276.5	276.5	276.5	-	-	-
C03	256	304	304	304	304	304	304	-	-	-
C05	291.5	339.5	339.5	339.5	339.5	339.5	339.5	410	404	431
C06	306.5	354.5	354.5	354.5	354.5	354.5	354.5	425	419	446
C07	318	366	366	366	366	366	366	436.5	430.5	457.5
C08	359	407	407	407	407	407	407	477.5	471.5	498.5
C09	408.5	456.5	456.5	456.5	456.5	456.5	456.5	527	521	548
C10	444.5	492.5	492.5	492.5	492.5	492.5	492.5	563	557	584
C13	-	-	-	-	-	-	-	617.5	611.5	638.5
C14	-	-	-	-	-	-	-	683.5	677.5	704.5
C16	-	-	-	-	-	-	-	-	-	-

Dimensions in mm.

Input Unit U2, U3



Input Unit U5, U6, U7



Type	Input shaft [mm]						
	19x40	24x50	28x60	38x80	42x110	48x110	55x110
	U2	U3	U5			U6	U7
D	19	24	28	38	42	48	55
F	6	8	8	10	12	14	16
GA	21.5	27	31	41	45	51.5	59
E	40	50	60	80	110	110	110
N	73	101	178			235	290
X	2	2.5	1.9			6.5	4
Z	3	35	-			-	-
R	M6	M10	M10	M12	M16	M16	M20

Tolerances		
Dimension name	ISO tolerance DIN EN ISO 286-2	
D	< Ø 55 mm	k6
	≥ Ø 55 mm	m6

Gear unit size	Input shaft [mm]				
	19x40	24x50	28x60 38x80 42x110	48x110	55x110
	U2	U3	U5	U6	U7
	I				
C00	178.5	-	-	-	-
C01	191	-	-	-	-
C03	218.5	-	-	-	-
C05	254	286	-	-	-
C06	269	301	-	-	-
C07	280.5	312.5	355	-	-
C08	321.5	353.5	392	-	-
C09	371	403	444	466	-
C10	407	439	480	502	-
C13	-	493.5	532	554	623
C14	-	559.5	598	620	689
C16	-	-	677	699	768