

Modular worm gear unit

SN5VH

Experience our new modular worm gear, which offers a variety of mounting options and can therefore be adapted to all your needs.

PRODUKTMERKMALE	
Housing material	Aluminium casting housing
Output flange	Hole circle \varnothing 50 mm - 4xM5 Centering \varnothing 40 mm
Output shaft	\varnothing 15 mm
Solid output shaft	Plug-in left, right or two-sided
Flange (optional)	<ul style="list-style-type: none"> \varnothing100x80x60 mm left or right
Mounting options	Various mounting options
Dimensions	75x62x80 mm
Weight	850 g

ADVANTAGES

- Compact design
- Various mounting options
- Customising
 - Flange left / right
 - Stub shaft
 - Hollow shaft
 - Two-sided shaft
- Modular design



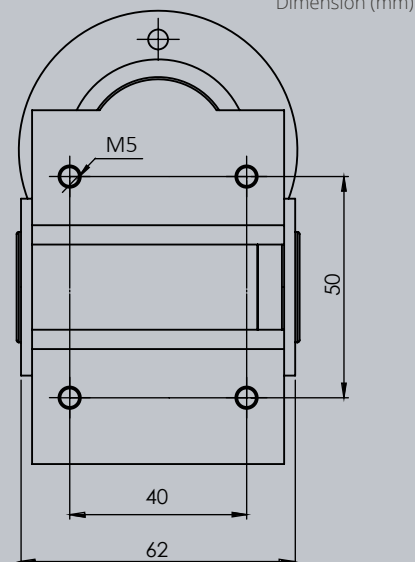
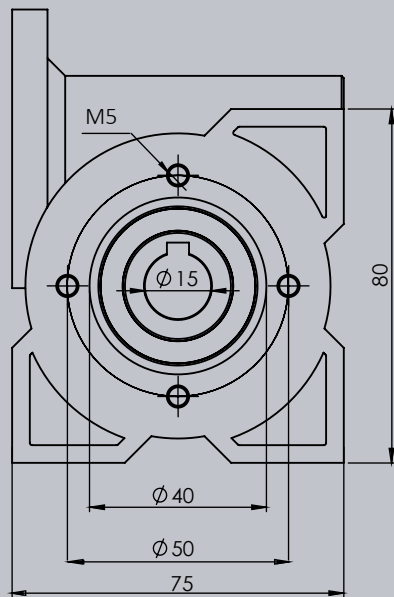
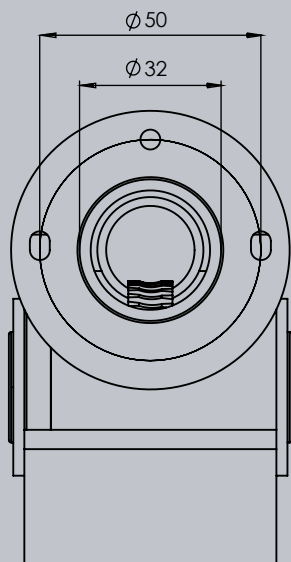
RUHRGETRIEBE

We are happy to configure together with you!

With the preconfigured basic components based on our many years of experience, you can implement your drive task particularly quickly.

Should your application make special demands on the drive unit, we naturally offer you competent advice and will be happy to assist you in configuring your drive unit

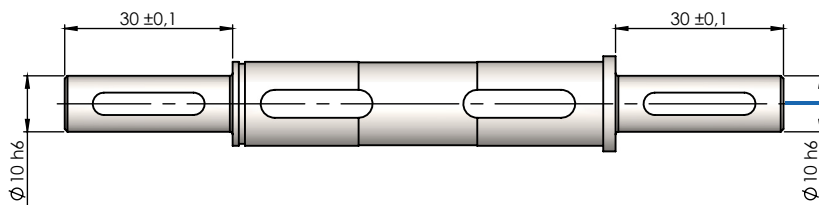
TECHNICAL DATA



PERFORMANCE DATA

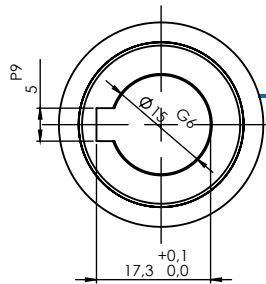
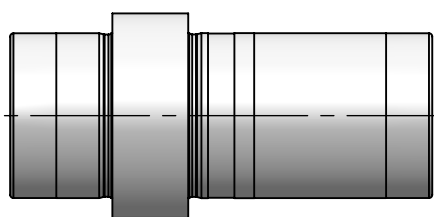
Motor power range	W	from 32 to 120
Gear reduction	i	from 7 to 50:1
Output speed	U/min ⁻¹	from 28 to 400
Max. permissible output torque	Nm	from 11 to 12

CUSTOMISING Optional accessories



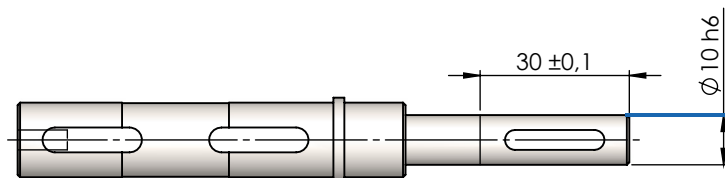
Two-sided shaft

with diameter $\varnothing 10 \times 30$ mm; 4 mm grooved



Hallow shaft

with diameter $\varnothing 15$ mm



Stub shaft for flange version

with diameter $\varnothing 10$ or 12 mm

We move your ideas - worldwide.



RUHRGETRIEBE