

Rotary Cam Switches

Front mounting Four hole mounting 36 × 36 mm

Front mounting switches with four hole mounting 36 × 36 mm

- 20 A / 25 A / 32 A
- 1 up to 24 contacts
- IP66 (front)



- Control Switch
- Instrument Switch
- ON-OFF Switch
- Changeover Switch
- Multi-step Switch
- Motor Switch

Setup of order code number: Type - Switching programme - Mounting form

Ordering example:

4 pole Changeover Switch without OFF 60°, 20 A, M-handle silver/black →

Type	Switching programme	Mtg. form
M220	61040	003M1
Order code no.	M220-61040-003M1	

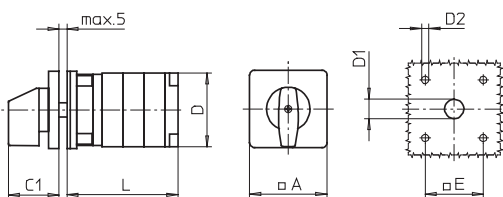
Type	Rated data (IEC 60947)			Degree of Protection Terminals	Terminal accessibility
	Operational current I _e AC-21A (A)	Operational power (at 380–440 V) AC-23A (kW) AC-3A (kW)			
P220 P225	20 25	7.5 11	5.5 7.5	IP1B IP1B	Terminals accessible from mounting direction
M220 M225	20 25	7.5 11	5.5 7.5	IP20 IP20	Terminals accessible laterally
T225	32	15	11	IP20	Terminals accessible laterally

Switching programme	Stages	Contacts	Description
61191	1	1	ON-OFF Switch 90°, 1 pole
61192	1	2	ON-OFF Switch 90°, 2 pole
61001	1	1	ON-OFF Switch 60°, 1 pole
61002	1	2	ON-OFF Switch 60°, 2 pole
61025	1	2	Changeover Switch with centre OFF 60°, 1 pole
61026	2	4	Changeover Switch with centre OFF 60°, 2 pole
61027	3	6	Changeover Switch with centre OFF 60°, 3 pole
61037	1	2	Changeover Switch without OFF 60°, 1 pole
61040	4	8	Changeover Switch without OFF 60°, 4 pole
61050	2	4	Multi-step Switch without OFF, 4 steps, 1 pole
61313	3	6	Voltmeter Selector Switch with centre OFF, 3 phase line to line + 3 phase line to N
61325	3	6	Ammeter Selector Switch with centre OFF, 3 transformers, 1 pole
61211	3	5	Motor Reversing Switch, 3 pole

Switching diagrams and further switching programmes from page 56.

Mounting form	Operator
003M1	M-handle silver/black

Dimensions in mm:



Type	L with ... stages (max. 12)											each additional
	A	C1	D	D1	D2	E	1	2	3	4	5	
P220	48	32	44	12	4.5	36	47	60	73	86	99	13
P225	48	32	46	12	4.5	36	51	66	81	96	111	15
M220	48	32	46	12	4.5	36	40	50	60	70	80	10
M225	48	32	48	12	4.5	36	43	56	69	82	95	13
T225	48	32	50	12	4.5	36	45	60	75	90	105	15

Rotary Cam Switches



Front mounting Four hole mounting 36 × 36 mm

Front mounting switches with four hole mounting 36 × 36 mm

- with dust protective cover
- 20 A / 25 A / 32 A
- 1 up to max. 8 contacts
- IP66



- Control Switch
- ON-OFF Switch
- Multi-step Switch
- Instrument Switch
- Changeover Switch
- Motor Switch

Setup of order code number: Type - Switching programme - Mounting form

Ordering example:

2 pole Changeover Switch with centre OFF and spring return 60°, 20 A, M-handle silver/black →

Type	Switching programme	Mtg. form
M220	61362	005M1
Order code no.	M220-61362M005M1	

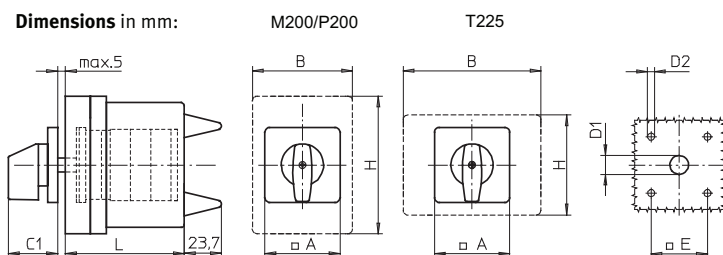
Type	Contacts	Rated data (IEC 60947)			Degree of Protection Terminals	Terminal accessibility
		Operational current I _e AC-21A (A)	Operational power (at 380–440 V) AC-23A (kW) AC-3A (kW)			
P220	1 to 6	20	7.5	5.5	IP66	Terminals accessible from mounting direction
P225	1 to 4	25	11	7.5	IP66	
M220	1 to 8	20	7.5	5.5	IP66	Terminals accessible laterally
M225	1 to 6	25	11	7.5	IP66	
T225	1 to 4	32	15	11	IP66	Terminals accessible laterally

Switching programme	Stages	Contacts	Description
61191	1	1	ON-OFF Switch 90°, 1 pole
61192	1	2	ON-OFF Switch 90°, 2 pole
61199	2	3	ON-OFF Switch 90°, 3 pole
61194	2	4	ON-OFF Switch 90°, 4 pole, 1 pole early make/late break
61001	1	1	ON-OFF Switch 60°, 1 pole
61002	1	2	ON-OFF Switch 60°, 2 pole
61003	2	3	ON-OFF Switch 60°, 3 pole
61025	1	2	Changeover Switch with centre OFF 60°, 1 pole
61027	3	6	Changeover Switch with centre OFF 60°, 3 pole
61362	2	4	Changeover Switch with centre OFF and spring return 60°, 2 pole
61037	1	2	Changeover Switch without OFF 60°, 1 pole
61049	2	3	Multi-step Switch without OFF, 3 steps, 1 pole
61050	2	4	Multi-step Switch without OFF, 4 steps, 1 pole

Switching diagrams and further switching programmes from page 56.

Mounting form	Operator
005M1	M-handle silver/black

Dimensions in mm:



Type	L with ... stages										
	A	B	C1	D1	D2	E	H	1	2	3	4
P220	48	64	32	12	4.5	36	88	80	80	80	-
P225	48	64	32	12	4.5	36	88	80	80	-	-
M220	48	64	32	12	4.5	36	88	80	80	80	80
M225	48	64	32	12	4.5	36	88	80	80	80	-
T225	48	88	32	12	4.5	36	64	80	80	-	-

Rotary Cam Switches

Front mounting Four hole mounting 36 × 36 mm

Front mounting switches with four hole mounting 36 × 36 mm

- 20 A / 25 A / 32 A
- 1 up to 24 contacts
- IP66 (front)



- Main/Emergency-Off Switch
- Main Switch

Setup of order code number: Type - Switching programme - Mounting form Ordering example: 2 pole Main/Emergency-Off Switch 90°, 20 A, padlock device with M-handle yellow/red →	Type	Switching programme	Mtg. form
	M220	61192	033M4
	Order code no.	M220-61192-033M4	

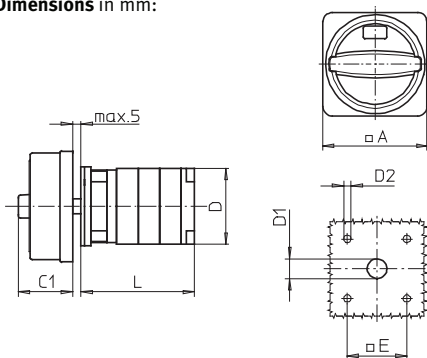
Type	Rated data (IEC 60947)			Degree of Protection	Terminal accessibility
	Operational current I _e AC-21A (A)	Operational power (at 380–440 V) AC-23A (kW) AC-3A (kW)			
P220 P225	20 25	7.5 11	5.5 7.5	IP1B IP1B	Terminals accessible from mounting direction
M220 M225	20 25	7.5 11	5.5 7.5	IP20 IP20	Terminals accessible laterally
T225	32	15	11	IP20	Terminals accessible laterally

Switching programme	Stages	Contacts	Description
61191	1	1	ON-OFF Switch 90°, 1 pole
61192	1	2	ON-OFF Switch 90°, 2 pole
61199	2	3	ON-OFF Switch 90°, 3 pole
61194	2	4	ON-OFF Switch 90°, 4 pole, 1 pole early make/late break
61906	3	6	ON-OFF Switch 90°, 6 pole
61919	4	8	ON-OFF Switch 90°, 8 pole, 2 pole early make/late break

Switching diagrams and further switching programmes from page 56.

Mounting form	Operator	Main/Emergency-Off Switch	Mounting form	Operator	Main Switch
033N4		padlock device with N-handle yellow/red	033N1		padlock device with N-handle black
033M4		padlock device with M-handle yellow/red	033M1		padlock device with M-handle black
033V4		padlockable with V-handle yellow/red	033V1		padlockable with V-handle silver/black

Dimensions in mm:



Type	Mounting form	A	C1	D	D1	D2	E	L with ... stages (max. 12)					each additional
								1	2	3	4	5	
P220	033N4/033N1	67	33	44	15	4.5	36	47	60	73	86	99	13
	033M4/033M1	67	38	44	15	4.5	36	47	60	73	86	99	13
	033V4/033V1	48	32	44	12	4.5	36	47	60	73	86	99	13
P225	033N4/033N1	67	33	46	15	4.5	36	51	66	81	96	111	15
	033M4/033M1	67	38	46	15	4.5	36	51	66	81	96	111	15
	033V4/033V1	48	32	46	12	4.5	36	51	66	81	96	111	15
M220	033N4/033N1	67	33	46	15	4.5	36	40	50	60	70	80	10
	033M4/033M1	67	38	46	15	4.5	36	40	50	60	70	80	10
	033V4/033V1	48	32	46	12	4.5	36	40	50	60	70	80	10
M225	033N4/033N1	67	33	48	15	4.5	36	43	56	69	82	95	13
	033M4/033M1	67	38	48	15	4.5	36	43	56	69	82	95	13
	033V4/033V1	48	32	48	12	4.5	36	43	56	69	82	95	13
T225	033N4/033N1	67	33	50	15	4.5	36	45	60	75	90	105	15
	033M4/033M1	67	38	50	15	4.5	36	45	60	75	90	105	15
	033V4/033V1	48	32	50	12	4.5	36	45	60	75	90	105	15

Rotary Cam Switches

Front mounting Single hole mounting Ø 22.5 mm

Front mounting switches with single hole mounting Ø 22.5 mm

- 20 A / 25 A / 32 A
- 1 up to 24 contacts
- IP66 (front)



- Control Switch
- ON-OFF Switch
- Multi-step Switch
- Instrument Switch
- Changeover Switch
- Motor Switch

Setup of order code number: Type - Switching programme - Mounting form Ordering example: 4 pole ON-OFF Switch 60°, 20 A, M-handle silver/black →	Type	Switching programme	Mtg. form
	M220	61004	219M1
	Order code no.	M220-61004-219M1	

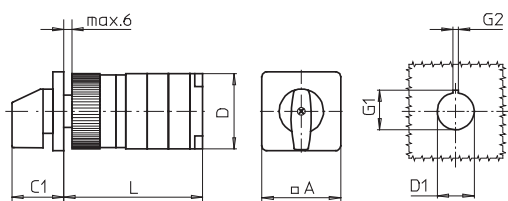
Type	Rated data (IEC 60947)			Degree of Protection Terminals	Terminal accessibility
	Operational current I _e AC-21A (A)	Operational power (at 380–440 V) AC-23A (kW) AC-3A (kW)			
P220 P225	20 25	7.5 11	5.5 7.5	IP1B IP1B	Terminals accessible from mounting direction
M220 M225	20 25	7.5 11	5.5 7.5	IP20 IP20	Terminals accessible laterally
T225	32	15	11	IP20	Terminals accessible laterally

Switching programme	Stages	Contacts	Description
61191	1	1	ON-OFF Switch 90°, 1 pole
61192	1	2	ON-OFF Switch 90°, 2 pole
61001	1	1	ON-OFF Switch 60°, 1 pole
61002	1	2	ON-OFF Switch 60°, 2 pole
61004	2	4	ON-OFF Switch 60°, 4 pole
61025	1	2	Changeover Switch with centre OFF 60°, 1 pole
61026	2	4	Changeover Switch with centre OFF 60°, 2 pole
61027	3	6	Changeover Switch with centre OFF 60°, 3 pole
61037	1	2	Changeover Switch without OFF 60°, 1 pole
61050	2	4	Multi-step Switch without OFF, 4 steps, 1 pole
61313	3	6	Voltmeter Selector Switch with centre OFF, 3 phase line to line + 3 phase line to N
61325	3	6	Ammeter Selector Switch with centre OFF, 3 transformers, 1 pole
61211	3	5	Motor Reversing Switch, 3 pole

Switching diagrams and further switching programmes from page 56.

Mounting form	Operator
219M1	M-handle silver/black

Dimensions in mm:



Type	L with ... stages (max. 12)											each additional
	A	C1	D	D1	G1	G2	1	2	3	4	5	
P220	48	32	44	22.5	24.2	3.2	66	79	92	105	118	13
P225	48	32	46	22.5	24.2	3.2	70	85	100	115	130	15
M220	48	32	46	22.5	24.2	3.2	59	69	79	89	99	10
M225	48	32	48	22.5	24.2	3.2	62	75	88	101	114	13
T225	48	32	50	22.5	24.2	3.2	64	79	94	109	124	15

Rotary Cam Switches

Front mounting Single hole mounting \varnothing 22.5 mm

Front mounting switches with single hole mounting \varnothing 22.5 mm

- with front ring
- 20 A / 25 A / 32 A
- 1 up to 24 contacts
- IP66 (front)



- Control Switch
- ON-OFF Switch
- Multi-step Switch
- Instrument Switch
- Changeover Switch
- Motor Switch

Setup of order code number: Type - Switching programme - Mounting form

Ordering example:
4 pole Changeover Switch with centre OFF 60°, 20 A, M-handle black/black →

Type	Switching programme	Mtg. form
P220	61028	218M1
Order code no.	P220-61028-218M1	

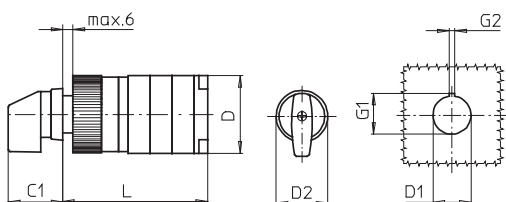
Type	Rated data (IEC 60947)			Degree of Protection Terminals	Terminal accessibility
	Operational current I_e AC-21A (A)	Operational power (at 380–440 V) AC-23A (kW) AC-3A (kW)			
P220 P225	20 25	7.5 11	5.5 7.5	IP1B IP1B	Terminals accessible from mounting direction
M220 M225	20 25	7.5 11	5.5 7.5	IP20 IP20	Terminals accessible laterally
T225	32	15	11	IP20	Terminals accessible laterally

Switching programme	Stages	Contacts	Description
61191	1	1	ON-OFF Switch 90°, 1 pole
61192	1	2	ON-OFF Switch 90°, 2 pole
61001	1	1	ON-OFF Switch 60°, 1 pole
61002	1	2	ON-OFF Switch 60°, 2 pole
61025	1	2	Changeover Switch with centre OFF 60°, 1 pole
61026	2	4	Changeover Switch with centre OFF 60°, 2 pole
61027	3	6	Changeover Switch with centre OFF 60°, 3 pole
61028	4	8	Changeover Switch with centre OFF 60°, 4 pole
61037	1	2	Changeover Switch without OFF 60°, 1 pole
61050	2	4	Multi-step Switch without OFF, 4 steps, 1 pole
61313	3	6	Voltmeter Selector Switch with centre OFF, 3 phase line to line + 3 phase line to N
61325	3	6	Ammeter Selector Switch with centre OFF, 3 transformers, 1 pole
61211	3	5	Motor Reversing Switch, 3 pole

Switching diagrams and further switching programmes from page 56.

Mounting form	Operator
218M1	M-handle with front ring black/black

Dimensions in mm:



Type	C1	D	D1	D2	G1	G2	L with ... stages (max. 12)					each additional
							1	2	3	4	5	
P220	32	44	22.5	30.5	24.2	3.2	66	79	92	105	118	13
P225	32	46	22.5	30.5	24.2	3.2	70	85	100	115	130	15
M220	32	46	22.5	30.5	24.2	3.2	59	69	79	89	99	10
M225	32	48	22.5	30.5	24.2	3.2	62	75	88	101	114	13
T225	32	50	22.5	30.5	24.2	3.2	64	79	94	109	124	15

Rotary Cam Switches

Front mounting Single hole mounting Ø 22.5 mm

Front mounting switches with single hole mounting Ø 22.5 mm

- key operated
- 20 A / 25 A / 32 A
- 1 up to 16 contacts
- IP40 (front)



- Control Switch
- ON-OFF Switch
- Multi-step Switch
- Instrument Switch
- Changeover Switch
- Motor Switch

Setup of order code number: Type - Switching programme - Mounting form Ordering example: 3 pole Changeover Switch without OFF, 20 A, key operated, key removable at 11h/01h/05h/07h →	Type	Switching programme	Mtg. form
	M220	61039	S001A
	Order code no. M220-61039-S0010		

Type	Contacts	Rated data (IEC 60947)			Degree of Protection Terminals	Terminal accessibility
		Operational current I _e AC-21A (A)	Operational power (at 380–440 V) AC-23A (kW) AC-3A (kW)			
P220	1 to 16	20	7.5	5.5	IP1B	Terminals accessible from mounting direction
P225	1 to 16	25	11	7.5	IP1B	
M220	1 to 16	20	7.5	5.5	IP20	Terminals accessible laterally
M225	1 to 16	25	11	7.5	IP20	
T225	1 to 12	32	15	11	IP20	Terminals accessible laterally

Switching programme	Stages	Contacts	Description
61191	1	1	ON-OFF Switch 90°, 1 pole
61192	1	2	ON-OFF Switch 90°, 2 pole
61001	1	1	ON-OFF Switch 60°, 1 pole
61002	1	2	ON-OFF Switch 60°, 2 pole
61025	1	2	Changeover Switch with centre OFF 60°, 1 pole
61026	2	4	Changeover Switch with centre OFF 60°, 2 pole
61027	3	6	Changeover Switch with centre OFF 60°, 3 pole
61037	1	2	Changeover Switch without OFF 60°, 1 pole
61039	3	6	Changeover Switch without OFF 60°, 3 pole
61050	2	4	Multi-step Switch without OFF, 4 steps, 1 pole
61313	3	6	Voltmeter Selector Switch with centre OFF, 3 phase line to line + 3 phase line to N
61325	3	6	Ammeter Selector Switch with centre OFF, 3 transformers, 1 pole
61211	3	5	Motor Reversing Switch, 3 pole

Switching diagrams and further switching programmes from page 56.

Mounting form	Operator
S001. *	Key operated, silver/metal key Ronis cylinder lock C001, 2 keys (other lock types on request)

* The dot in the order code number must be replaced by the classification letter which identifies the key removable positions, see page 85.

Dimensions in mm:

Type	L with ... stages (max. 8)											each additional
	A	C1	D	D1	G1	G2	1	2	3	4	5	
P220	48	33	44	22.5	24.2	3.2	66	79	92	105	118	13
P225	48	33	46	22.5	24.2	3.2	70	85	100	115	130	15
M220	48	33	46	22.5	24.2	3.2	59	69	79	89	99	10
M225	48	33	48	22.5	24.2	3.2	62	75	88	101	114	13
T225	48	33	50	22.5	24.2	3.2	64	79	94	109	124	15

Rotary Cam Switches



Front mounting Single hole mounting Ø 22.5 mm

Front mounting switches with single hole mounting Ø 22.5 mm

- key operated with front ring
- 20 A / 25 A / 32 A
- 1 up to 16 contacts
- IP40 (front)



- Control Switch
- ON-OFF Switch
- Multi-step Switch
- Instrument Switch
- Changeover Switch
- Motor Switch

Setup of order code number: Type - Switching programme - Mounting form

Ordering example:

3 pole Changeover Switch without OFF, 20 A, key operated, key removable at 11h/01h/05h/07h →

Type	Switching programme	Mtg. form
M220	61039	R001A
Order code no.	M220-61039-R0010	

Type	Contacts	Rated data (IEC 60947)			Degree of Protection Terminals	Terminal accessibility
		Operational current I _e AC-21A (A)	Operational power (at 380–440 V)			
			AC-23A (kW)	AC-3A (kW)		
P220	1 to 16	20	7.5	5.5	IP1B	Terminals accessible from mounting direction
P225	1 to 16	25	11	7.5	IP1B	
M220	1 to 16	20	7.5	5.5	IP20	Terminals accessible laterally
M225	1 to 16	25	11	7.5	IP20	
T225	1 to 12	32	15	11	IP20	Terminals accessible laterally

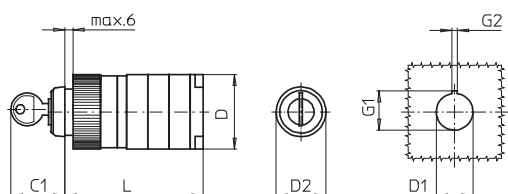
Switching programme	Stages	Contacts	Description
61191	1	1	ON-OFF Switch 90°, 1 pole
61192	1	2	ON-OFF Switch 90°, 2 pole
61001	1	1	ON-OFF Switch 60°, 1 pole
61002	1	2	ON-OFF Switch 60°, 2 pole
61025	1	2	Changeover Switch with centre OFF 60°, 1 pole
61026	2	4	Changeover Switch with centre OFF 60°, 2 pole
61027	3	6	Changeover Switch with centre OFF 60°, 3 pole
61037	1	2	Changeover Switch without OFF 60°, 1 pole
61039	3	6	Changeover Switch without OFF 60°, 3 pole
61050	2	4	Multi-step Switch without OFF, 4 steps, 1 pole
61313	3	6	Voltmeter Selector Switch with centre OFF, 3 phase line to line + 3 phase line to N
61325	3	6	Ammeter Selector Switch with centre OFF, 3 transformers, 1 pole
61211	3	5	Motor Reversing Switch, 3 pole

Switching diagrams and further switching programmes from page 56.

Mounting form	Operator
R001.*	key operated, with front ring black/metal key Ronis cylinder lock C001, 2 keys (other lock types on request)

* The dot in the order code number must be replaced by the classification letter which identifies the key removable positions, see page 85.

Dimensions in mm:



Type	L with ... stages (max. 8)											each additional
	C1	D	D1	D2	G1	G2	1	2	3	4	5	
P220	33	44	22.5	30.5	24.2	3.2	66	79	92	105	118	13
P225	33	46	22.5	30.5	24.2	3.2	70	85	100	115	130	15
M220	33	46	22.5	30.5	24.2	3.2	59	69	79	89	99	10
M225	33	48	22.5	30.5	24.2	3.2	62	75	88	101	114	13
T225	33	50	22.5	30.5	24.2	3.2	64	79	94	109	124	15

Rotary Cam Switches

Front mounting Single hole mounting Ø 22.5 mm

Front mounting switches with single hole mounting Ø 22.5 mm

- 20 A / 25 A / 32 A
- 1 up to 24 contacts
- IP66 (front)



- Main/Emergency-Off Switch
- Main Switch

Setup of order code number: Type - Switching programme - Mounting form Ordering example: 3 pole Main/Emergency-Off Switch 90°, 20 A, padlock device with M-handle yellow/red →	Type	Switching programme	Mtg. form
	M220	61199	206M4
	Order code no. M220-61199-206M4		

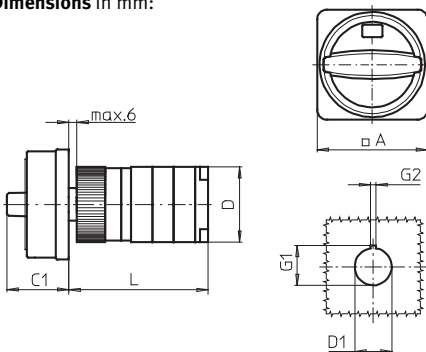
Type	Rated data (IEC 60947)			Degree of Protection	Terminal accessibility
	Operational current I _e AC-21A (A)	Operational power (at 380–440 V)			
		AC-23A (kW)	AC-3A (kW)	Terminals	
P220 P225	20 25	7.5 11	5.5 7.5	IP1B IP1B	Terminals accessible from mounting direction
M220 M225	20 25	7.5 11	5.5 7.5	IP20 IP20	Terminals accessible laterally
T225	32	15	11	IP20	Terminals accessible laterally

Switching programme	Stages	Contacts	Description
61191	1	1	ON-OFF Switch 90°, 1 pole
61192	1	2	ON-OFF Switch 90°, 2 pole
61199	2	3	ON-OFF Switch 90°, 3 pole
61194	2	4	ON-OFF Switch 90°, 4 pole, 1 pole early make/late break
61906	3	6	ON-OFF Switch 90°, 6 pole
61919	4	8	ON-OFF Switch 90°, 8 pole, 2 pole early make/late break

Switching diagrams and further switching programmes from page 56.

Mounting form	Operator	Main/Emergency-Off Switch	Mounting form	Operator	Main Switch
206N4		padlock device with N-handle yellow/red	206N1		padlock device with N-handle black
206M4		padlock device with M-handle yellow/red	206M1		padlock device with M-handle black
206V4		padlockable with V-handle yellow/red	206V1		padlockable with V-handle silver/black

Dimensions in mm:



Type	Mounting form	A	C1	D	D1	G1	G2	L with ... stages (max. 12)					each additional
								1	2	3	4	5	
P220	206N4/206N1	67	33	44	22.5	24.2	3.2	66	79	92	105	118	13
	206M4/206M1	67	38	44	22.5	24.2	3.2	66	79	92	105	118	13
	206V4/206V1	48	32	44	22.5	24.2	3.2	66	79	92	105	118	13
P225	206N4/206N1	67	33	46	22.5	24.2	3.2	70	85	100	115	130	15
	206M4/206M1	67	38	46	22.5	24.2	3.2	70	85	100	115	130	15
	206V4/206V1	48	32	46	22.5	24.2	3.2	70	85	100	115	130	15
M220	206N4/206N1	67	33	46	22.5	24.2	3.2	59	69	79	89	99	10
	206M4/206M1	67	38	46	22.5	24.2	3.2	59	69	79	89	99	10
	206V4/206V1	48	32	46	22.5	24.2	3.2	59	69	79	89	99	10
M225	206N4/206N1	67	33	48	22.5	24.2	3.2	62	75	88	101	114	13
	206M4/206M1	67	38	48	22.5	24.2	3.2	62	75	88	101	114	13
	206V4/206V1	48	32	48	22.5	24.2	3.2	62	75	88	101	114	13
T225	206N4/206N1	67	33	50	22.5	24.2	3.2	64	79	94	109	124	15
	206M4/206M1	67	38	50	22.5	24.2	3.2	64	79	94	109	124	15
	206V4/206V1	48	32	50	22.5	24.2	3.2	64	79	94	109	124	15

Rotary Cam Switches



Front mounting Flush wall mounting

Front mounting switches for flush wall mounting

- 20 A / 25 A
- 1 up to max. 6 contacts
- IP30 (front)
- for plaster depth box



- Control Switch
- Instrument Switch
- ON-OFF Switch
- Changeover Switch
- Multi-step Switch
- Motor Switch

Setup of order code number: Type - Switching programme - Mounting form Ordering example: 1 pole ON-OFF Switch 90°, 20 A, N-handle silver/white →	Type	Switching programme	Mtg. form
	P220	61191	025N3
	Order code no. P220-61191-025N3		

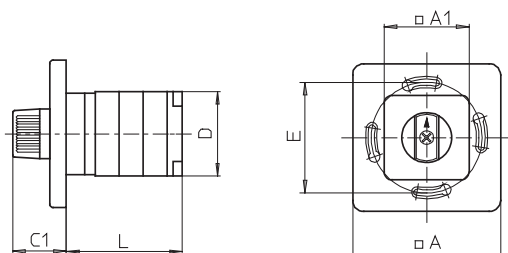
Type	Contacts	Rated data (IEC 60947)			Degree of Protection Terminals	Terminal accessibility
		Operational current I _o AC-21A (A)	Operational power (at 380–440 V) AC-23A (kW) AC-3A (kW)			
P220	1 to 4	20	7.5	5.5	IP1B	Terminals accessible from mounting direction
P225	1 to 2	25	11	7.5	IP1B	
M220	1 to 6	20	7.5	5.5	IP20	Terminals accessible laterally
M225	1 to 2	25	11	7.5	IP20	

Switching programme	Stages	Contacts	Description
61191	1	1	ON-OFF Switch 90°, 1 pole
61192	1	2	ON-OFF Switch 90°, 2 pole
61199	2	3	ON-OFF Switch 90°, 3 pole
61001	1	1	ON-OFF Switch 60°, 1 pole
61002	1	2	ON-OFF Switch 60°, 2 pole
61003	2	3	ON-OFF Switch 60°, 3 pole
61025	1	2	Changeover Switch with centre OFF 60°, 1 pole
61026	2	4	Changeover Switch with centre OFF 60°, 2 pole
61037	1	2	Changeover Switch without OFF 60°, 1 pole
61038	2	4	Changeover Switch without OFF 60°, 2 pole
61049	2	3	Multi-step Switch without OFF, 3 steps, 1 pole
61050	2	4	Multi-step Switch without OFF, 4 steps, 1 pole

Switching diagrams and further switching programmes from page 56.

Mounting form	Operator
025N3	N-handle silver/white

Dimensions in mm:



Type	A	A1	C1	D	E	L with ... stages		
						1	2	3
P220	80	46	31	44	60	43	56	-
P225	80	46	31	46	60	47	-	-
M220	80	46	31	46	60	36	46	56
M225	80	46	31	48	60	39	-	-

Rotary Cam Switches

Base mounting Snap on mounting

Base mounting switches with snap on mounting

- 20 A / 25 A / 32 A
- 1 up to 24 contacts
- IP66 (front)
- Four hole front mounting 36 × 36 mm



- Control Switch
- Instrument Switch
- ON-OFF Switch
- Changeover Switch
- Multi-step Switch
- Motor Switch

Setup of order code number: Type - Switching programme - Mounting form	Type	Switching programme	Mtg. form
Ordering example: 2 pole Changeover Switch with centre OFF 60°, 20 A, M-handle silver/black →	P220	61026	021M1
	Order code no.	P220-61026-021M1	

Type	Rated data (IEC 60947)			Degree of Protection Terminals	Terminal accessibility
	Operational current I _o AC-21A (A)	Operational power (at 380–440 V) AC-23A (kW) AC-3A (kW)			
P220 P225	20 25	7.5 11	5.5 7.5	IP1B IP1B	Terminals accessible from mounting direction
M220 M225	20 25	7.5 11	5.5 7.5	IP20 IP20	Terminals accessible laterally
T225	32	15	11	IP20	Terminals accessible laterally

Switching programme	Stages	Contacts	Description
61191	1	1	ON-OFF Switch 90°, 1 pole
61192	1	2	ON-OFF Switch 90°, 2 pole
61001	1	1	ON-OFF Switch 60°, 1 pole
61002	1	2	ON-OFF Switch 60°, 2 pole
61025	1	2	Changeover Switch with centre OFF 60°, 1 pole
61026	2	4	Changeover Switch with centre OFF 60°, 2 pole
61027	3	6	Changeover Switch with centre OFF 60°, 3 pole
61037	1	2	Changeover Switch without OFF 60°, 1 pole
61038	2	4	Changeover Switch without OFF 60°, 2 pole
61049	2	3	Multi-step Switch without OFF, 3 steps, 1 pole
61050	2	4	Multi-step Switch without OFF, 4 steps, 1 pole
61211	3	5	Motor Reversing Switch, 3 pole

Switching diagrams and further switching programmes from page 56.

Mounting form	Operator
021M1	M-handle silver/black

Dimensions in mm:

Type	A	C1	D	D1	D2	E	L with ... stages (max. 12)					each additional
							1	2	3	4	5	
P220	48	32	44	12	4.5	36	46	59	72	85	98	13
P225	48	32	46	12	4.5	36	48	63	78	93	108	15
M220	48	32	46	12	4.5	36	43	53	63	73	83	10
M225	48	32	48	12	4.5	36	46	59	72	85	98	13
T225	48	32	50	12	4.5	36	48	63	78	93	108	15

Rotary Cam Switches



Base mounting Snap on mounting for DIN Rail

Base mounting switches with snap on mounting for DIN Rail

- 20 A / 25 A / 32 A
- 1 up to 24 contacts
- IP40 (front)
- Installation mounting for 45 mm aperture in Panel/Distribution boards



- Control Switch
- ON-OFF Switch
- Multi-step Switch
- Instrument Switch
- Changeover Switch
- Motor Switch

Setup of order code number: Type - Switching programme - Mounting form Ordering example: 1 pole Multi-step Switch with OFF, 20 A, N-handle silver/grey →	Type	Switching programme	Mtg. form
	P220	61060	026N2
	Order code no. P220-61060-026N2		

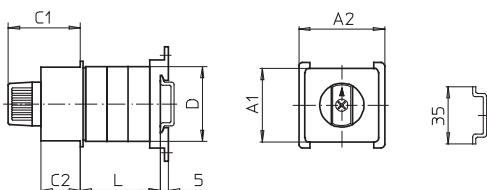
Type	Rated data (IEC 60947)			Degree of Protection Terminals	Terminal accessibility
	Operational current I_e AC-21A (A)	Operational power (at 380–440 V) AC-23A (kW) AC-3A (kW)			
P220 P225	20 25	7.5 11	5.5 7.5	IP1B IP1B	Terminals accessible from mounting direction
M220 M225	20 25	7.5 11	5.5 7.5	IP20 IP20	Terminals accessible laterally
T225	32	15	11	IP20	Terminals accessible laterally

Switching programme	Stages	Contacts	Description
61191	1	1	ON-OFF Switch 90°, 1 pole
61192	1	2	ON-OFF Switch 90°, 2 pole
61001	1	1	ON-OFF Switch 60°, 1 pole
61002	1	2	ON-OFF Switch 60°, 2 pole
61025	1	2	Changeover Switch with centre OFF 60°, 1 pole
61026	2	4	Changeover Switch with centre OFF 60°, 2 pole
61027	3	6	Changeover Switch with centre OFF 60°, 3 pole
61037	1	2	Changeover Switch without OFF 60°, 1 pole
61060	2	3	Multi-step Switch with OFF, 3 steps, 1 pole
61050	2	4	Multi-step Switch without OFF, 4 steps, 1 pole
61313	3	6	Voltmeter Selector Switch with centre OFF, 3 phase line to line + 3 phase line to N
61325	3	6	Ammeter Selector Switch with centre OFF, 3 transformers, 1 pole
61211	3	5	Motor Reversing Switch, 3 pole

Switching diagrams and further switching programmes from page 56.

Mounting form	Operator
026N2	N-handle silver/grey

Dimensions in mm:



Type	L with ... stages (max. 12)					each additional
	A1	A2	C1	C2	D	
P220	45	52.2	45	24	44	28 41 54 67 80 13
P225	45	52.2	45	24	46	30 45 60 75 90 15
M220	45	52.2	45	24	46	25 35 45 55 65 10
M225	45	52.2	45	24	48	28 41 54 67 80 13
T225	45	52.2	45	24	50	30 45 60 75 90 15

Rotary Cam Switches

Base mounting Snap on mounting / Door clutch with modular shaft extension

Base mounting switches with snap on mounting / Door clutch with modular shaft extension

- 20 A / 25 A / 32 A ■ 1 up to 24 contacts
- IP66 (front)
- Four hole front mounting 36 × 36 mm

- Control Switch
- ON-OFF Switch
- Multi-step Switch
- Instrument Switch
- Changeover Switch
- Motor Switch



Setup of order code number: Type - Switching programme - Mounting form Ordering example: 1 pole Multi-step Switch with OFF, 20 A, M-handle silver/black →	Type	Switching programme	Mtg. form
	M220	61061	241M1
	Order code no.	M220-61061-241M1	

Type	Rated data (IEC 60947)			Degree of Protection	Terminal accessibility
	Operational current I _e AC-21A (A)	Operational power (at 380–440 V)			
		AC-23A (kW)	AC-3A (kW)	Terminals	
P220	20	7.5	5.5	IP1B	Terminals accessible from mounting direction
P225	25	11	7.5	IP1B	
M220	20	7.5	5.5	IP20	Terminals accessible laterally
M225	25	11	7.5	IP20	
T225	32	15	11	IP20	Terminals accessible laterally

Switching programme	Stages	Contacts	Description
61191	1	1	ON-OFF Switch 90°, 1 pole
61192	1	2	ON-OFF Switch 90°, 2 pole
61001	1	1	ON-OFF Switch 60°, 1 pole
61002	1	2	ON-OFF Switch 60°, 2 pole
61025	1	2	Changeover Switch with centre OFF 60°, 1 pole
61026	2	4	Changeover Switch with centre OFF 60°, 2 pole
61027	3	6	Changeover Switch with centre OFF 60°, 3 pole
61037	1	2	Changeover Switch without OFF 60°, 1 pole
61038	2	4	Changeover Switch without OFF 60°, 2 pole
61061	2	4	Multi-step Switch with OFF, 4 steps, 1 pole
61049	2	3	Multi-step Switch without OFF, 3 steps, 1 pole
61050	2	4	Multi-step Switch without OFF, 4 steps, 1 pole
61211	3	5	Motor Reversing Switch, 3 pole

Switching diagrams and further switching programmes from page 56.

Mounting form	Operator
241M1	M-handle silver/black

Dimensions in mm:

Modular shaft extensions see page 84.

Type	A	C _{min}	C _{max}	C1	D	D1	D2	E	L with ... stages (max. 12) each				
									1	2	3	4	additional
P220	48	42	59	32	44	12	4.5	36	40	53	66	79	13
P225	48	42	59	32	46	12	4.5	36	42	57	72	87	15
M220	48	42	59	32	46	12	4.5	36	37	47	57	67	10
M225	48	42	59	32	48	12	4.5	36	40	53	66	79	13
T225	48	42	59	32	50	12	4.5	36	42	57	72	87	15

Rotary Cam Switches



Base mounting Snap on mounting / Door clutch with modular shaft extension

Base mounting switches with snap on mounting / Door clutch with modular shaft extension

- 20 A / 25 A / 32 A ■ 1 up to 24 contacts
- IP66 (front)
- Four hole front mounting 36 × 36 mm



- Main/Emergency-Off Switch
- Main Switch

Setup of order code number: Type - Switching programme - Mounting form Ordering example: 4 pole Main/Emergency-Off Switch 90°, 20 A, padlock device with N-handle yellow/red →	Type	Switching programme	Mtg. form
	M220	61194	232N4
	Order code no.	M220-61194-232N4	

Type	Rated data (IEC 60947)			Degree of Protection	Terminal accessibility
	Operational current I _o AC-21A (A)	Operational power (at 380–440 V) AC-23A (kW) AC-3A (kW)			
P220 P225	20 25	7.5 11	5.5 7.5	IP1B IP1B	Terminals accessible from mounting direction
M220 M225	20 25	7.5 11	5.5 7.5	IP20 IP20	Terminals accessible laterally
T225	32	15	11	IP20	Terminals accessible laterally

Switching programme	Stages	Contacts	Description
61191	1	1	ON-OFF Switch 90°, 1 pole
61192	1	2	ON-OFF Switch 90°, 2 pole
61199	2	3	ON-OFF Switch 90°, 3 pole
61194	2	4	ON-OFF Switch 90°, 4 pole, 1 pole early make/late break
61906	3	6	ON-OFF Switch 90°, 6 pole
61919	4	8	ON-OFF Switch 90°, 8 pole, 2 pole early make/late break

Switching diagrams and further switching programmes from page 56.

Mounting form	Operator	Main/Emergency-Off Switch	Mounting form	Operator	Main Switch
232N4		padlock device with N-handle yellow/red	232N1		padlock device with N-handle black
232M4		padlock device with M-handle yellow/red	232M1		padlock device with M-handle black
232V4		padlockable with V-handle yellow/red	232V1		padlockable with V-handle silver/black

Dimensions in mm:

Modular shaft extensions see page 84.

Type	Mounting form	A	C _{min}	C _{max}	C1	D	D1	D2	E	L with ... stages (max. 12) each additional				
										1	2	3	4	
P220	232N4/232N1	67	42	59	33	44	15	4.5	36	40	53	66	79	13
	232M4/232M1	67	42	59	38	44	15	4.5	36	40	53	66	79	13
	232V4/232V1	48	42	59	32	44	12	4.5	36	40	53	66	79	13
P225	232N4/232N1	67	42	59	33	46	15	4.5	36	42	57	72	87	15
	232M4/232M1	67	42	59	38	46	15	4.5	36	42	57	72	87	15
	232V4/232V1	48	42	59	32	46	12	4.5	36	42	57	72	87	15
M220	232N4/232N1	67	42	59	33	46	15	4.5	36	37	47	57	67	10
	232M4/232M1	67	42	59	38	46	15	4.5	36	37	47	57	67	10
	232V4/232V1	48	42	59	32	46	12	4.5	36	37	47	57	67	10
M225	232N4/232N1	67	42	59	33	48	15	4.5	36	40	53	66	79	13
	232M4/232M1	67	42	59	38	48	15	4.5	36	40	53	66	79	13
	232V4/232V1	48	42	59	32	48	12	4.5	36	40	53	66	79	13
T225	232N4/232N1	67	42	59	33	50	15	4.5	36	42	57	72	87	15
	232M4/232M1	67	42	59	38	50	15	4.5	36	42	57	72	87	15
	232V4/232V1	48	42	59	32	50	12	4.5	36	42	57	72	87	15

Rotary Cam Switches

Base mounting Snap on mounting / Door interlock with modular shaft extension

Base mounting switches with snap on mounting / Door interlock with modular shaft extension

- with N/PE connection link
- 20 A / 25 A / 32 A
- 1 up to 24 contacts
- IP66 (front)
- Four hole front mounting 36 × 36 mm



- Control Switch
- ON-OFF Switch
- Multi-step Switch
- Instrument Switch
- Changeover Switch
- Motor Switch

Setup of order code number: Type - Switching programme - Mounting form

Ordering example:

3 pole ON-OFF Switch 90°, 20 A, M-handle silver/black →

Type	Switching programme	Mtg. form
M220	61199	242M1
Order code no.	M220-61199-242M1	

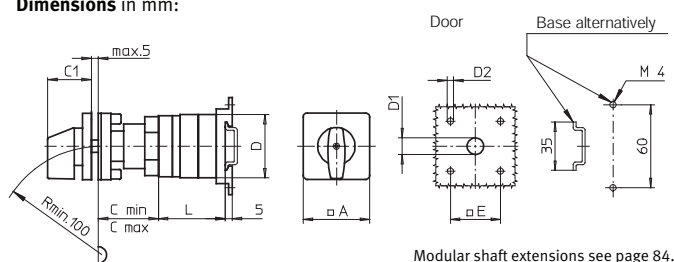
Type	Rated data (IEC 60947)			Degree of Protection Terminals	Terminal accessibility
	Operational current I _e AC-21A (A)	Operational power (at 380–440 V) AC-23A (kW) AC-3A (kW)			
P220 P225	20 25	7.5 11	5.5 7.5	IP1B IP1B	Terminals accessible from mounting direction
M220 M225	20 25	7.5 11	5.5 7.5	IP20 IP20	Terminals accessible laterally
T225	32	15	11	IP20	Terminals accessible laterally

Switching programme	Stages	Contacts	Description
61191	1	1	ON-OFF Switch 90°, 1 pole
61192	1	2	ON-OFF Switch 90°, 2 pole
61199	2	3	ON-OFF Switch 90°, 3 pole
61001	1	1	ON-OFF Switch 60°, 1 pole
61002	1	2	ON-OFF Switch 60°, 2 pole
61025	1	2	Changeover Switch with centre OFF 60°, 1 pole
61026	2	4	Changeover Switch with centre OFF 60°, 2 pole
61027	3	6	Changeover Switch with centre OFF 60°, 3 pole
61037	1	2	Changeover Switch without OFF 60°, 1 pole
61038	2	4	Changeover Switch without OFF 60°, 2 pole
61049	2	3	Multi-step Switch without OFF, 3 steps, 1 pole
61050	2	4	Multi-step Switch without OFF, 4 steps, 1 pole
61211	3	5	Motor Reversing Switch, 3 pole

Switching diagrams and further switching programmes from page 56.

Mounting form	Operator
242M1	M-handle silver/black

Dimensions in mm:



Type	A	C _{min}	C _{max}	C1	D	D1	D2	E	L with ... stages (max. 12) each				
									1	2	3	4	additional
P220	48	42	57	32	44	12	4.5	36	40	53	66	79	13
P225	48	42	57	32	46	12	4.5	36	42	57	72	87	15
M220	48	42	57	32	46	12	4.5	36	37	47	57	67	10
M225	48	42	57	32	48	12	4.5	36	40	53	66	79	13
T225	48	42	57	32	50	12	4.5	36	42	57	72	87	15

Rotary Cam Switches



Base mounting Snap on mounting / Door interlock with modular shaft extension

Base mounting switches with snap on mounting / Door interlock with modular shaft extension

- with N/PE connection link
- 20 A / 25 A / 32 A ■ 1 up to 24 contacts
- IP66 (front) ■ Four hole front mounting 36 × 36 mm

- Main/Emergency-Off Switch
- Main Switch



Setup of order code number: Type - Switching programme - Mounting form Ordering example: 4 pole Main Switch 90°, 20 A, padlock device with M-handle black →	Type	Switching programme	Mtg. form
	P220	61194	234M1
	Order code no. P220-61194-234M1		

Type	Rated data (IEC 60947)			Degree of Protection	Terminal accessibility
	Operational current I _e AC-21A (A)	Operational power (at 380–440 V)			
		AC-23A (kW)	AC-3A (kW)	Terminals	
P220 P225	20 25	7.5 11	5.5 7.5	IP1B IP1B	Terminals accessible from mounting direction
M220 M225	20 25	7.5 11	5.5 7.5	IP20 IP20	Terminals accessible laterally
T225	32	15	11	IP20	Terminals accessible laterally

Switching programme	Stages	Contacts	Description
61191	1	1	ON-OFF Switch 90°, 1 pole
61192	1	2	ON-OFF Switch 90°, 2 pole
61199	2	3	ON-OFF Switch 90°, 3 pole
61194	2	4	ON-OFF Switch 90°, 4 pole, 1 pole early make/late break
61906	3	6	ON-OFF Switch 90°, 6 pole
61919	4	8	ON-OFF Switch 90°, 8 pole, 2 pole early make/late break

Switching diagrams and further switching programmes from page 56.

Mounting form	Operator	Main/Emergency-Off Switch	Mounting form	Operator	Main Switch
234N4		padlock device with N-handle yellow/red	234N1		padlock device with N-handle black
234M4		padlock device with M-handle yellow/red	234M1		padlock device with M-handle black
234V4		padlockable with V-handle yellow/red	234V1		padlockable with V-handle silver/black

Dimensions in mm:

Modular shaft extensions see page 84.

Type	Mounting form	A	C _{min}	C _{max}	C1	D	D1	D2	E	L with ... stages (max. 12) each additional				
										1	2	3	4	
P220	234N4/234N1	67	42	57	33	44	15	4.5	36	40	53	66	79	13
	234M4/234M1	67	42	57	38	44	15	4.5	36	40	53	66	79	13
	234V4/234V1	48	42	57	32	44	12	4.5	36	40	53	66	79	13
P225	234N4/234N1	67	42	57	33	46	15	4.5	36	42	57	72	87	15
	234M4/234M1	67	42	57	38	46	15	4.5	36	42	57	72	87	15
	234V4/234V1	48	42	57	32	46	12	4.5	36	42	57	72	87	15
M220	234N4/234N1	67	42	57	33	46	15	4.5	36	37	47	57	67	10
	234M4/234M1	67	42	57	38	46	15	4.5	36	37	47	57	67	10
	234V4/234V1	48	42	57	32	46	12	4.5	36	37	47	57	67	10
M225	234N4/234N1	67	42	57	33	48	15	4.5	36	40	53	66	79	13
	234M4/234M1	67	42	57	38	48	15	4.5	36	40	53	66	79	13
	234V4/234V1	48	42	57	32	48	12	4.5	36	40	53	66	79	13
T225	234N4/234N1	67	42	57	33	50	15	4.5	36	42	57	72	87	15
	234M4/234M1	67	42	57	38	50	15	4.5	36	42	57	72	87	15
	234V4/234V1	48	42	57	32	50	12	4.5	36	42	57	72	87	15