

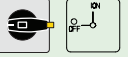
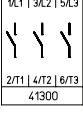


Main Switches

- Enclosed switches with insulated enclosure (polycarbonate)
- Cover interlock in ON position
- 3 up to 8 pole
- 20 A up to 315 A
- IP66

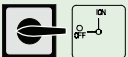


Switching programme	Rated data (IEC 60947)			Enclosure dimension (H × W × D) (mm)	Padlock device N-handle black	Padlock device M-handle black	Padlockable handle V-handle silver/black
	Operat. current I _e	Operational power (at 380–440 V)			 IP66	 IP66	 IP66
	AC-21A (A)	AC-23A (kW)	AC-3 (kW)		Order code number	Order code number	Order code number
41300 – 3 pole – without auxiliary contacts 	20	5.5	3.7	125 × 100 × 85	H216-41300-700N1	H216-41300-700M1	H216-41300-700V1
	20	5.5	3.7	175 × 115 × 100	H216-41300-710N1	H216-41300-710M1	H216-41300-710V1
	20	5.5	3.7	250 × 160 × 120	H216-41300-730N1	H216-41300-730M1	H216-41300-730V1
	25	7.5	5.5	125 × 100 × 85	H220-41300-700N1	H220-41300-700M1	H220-41300-700V1
	25	7.5	5.5	175 × 115 × 100	H220-41300-710N1	H220-41300-710M1	H220-41300-710V1
	25	7.5	5.5	250 × 160 × 120	H220-41300-730N1	H220-41300-730M1	H220-41300-730V1
	32	11	7.5	125 × 100 × 85	H226-41300-700N1	H226-41300-700M1	H226-41300-700V1
	32	11	7.5	175 × 115 × 100	H226-41300-710N1	H226-41300-710M1	H226-41300-710V1
	32	11	7.5	250 × 160 × 120	H226-41300-730N1	H226-41300-730M1	H226-41300-730V1
	40	15	11	175 × 115 × 100	H233-41300-710N1	H233-41300-710M1	H233-41300-710V1
	40	15	11	175 × 115 × 100	B240-41300-710N1*¹	B240-41300-710M1*¹	B240-41300-710V1*¹
	40	15	11	250 × 160 × 120	H233-41300-730N1	H233-41300-730M1	H233-41300-730V1
	40	15	11	250 × 160 × 120	B240-41300-730N1*	B240-41300-730M1*	B240-41300-730V1*
	50	18.5	15	175 × 115 × 100	B250-41300-710N1¹	B250-41300-710M1¹	B250-41300-710V1¹
	50	18.5	15	250 × 160 × 120	B250-41300-730N1	B250-41300-730M1	B250-41300-730V1
	63	22	18.5	175 × 115 × 100	B263-41300-710N1¹	B263-41300-710M1¹	B263-41300-710V1¹
	63	22	18.5	250 × 160 × 120	B263-41300-730N1	B263-41300-730M1	B263-41300-730V1
	63	22	18.5	250 × 160 × 120	H406-41300-730N1*	H406-41300-730M1*	–
	63	22	18.5	280 × 190 × 130	H406-41300-770N1	H406-41300-770M1	H406-41300-770V1
	63	22	18.5	320 × 220 × 180	H406-41300-471N1	H406-41300-471M1	–
	80	30	22	250 × 160 × 120	H408-41300-730N1	H408-41300-730M1	–
	80	30	22	280 × 190 × 130	H408-41300-770N1	H408-41300-770M1	H408-41300-770V1
	80	30	22	320 × 220 × 180	H408-41300-471N1	H408-41300-471M1	–
	100	37	30	250 × 160 × 120	H410-41300-730N1	H410-41300-730M1	–
	100	37	30	280 × 190 × 130	H410-41300-770N1	H410-41300-770M1	H410-41300-770V1
	100	37	30	320 × 220 × 180	H410-41300-471N1	H410-41300-471M1	–
	125	45	37	320 × 220 × 180	H412-41300-471N1	H412-41300-471M1	–

* larger terminal capacity, see page 154



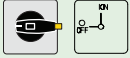
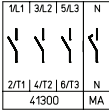
¹ Terminal capacity max. 16 mm² on N-terminal and/or PE-terminal

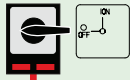
Further switching programmes as of page 132.

Rated data (IEC 60947)			Enclosure dimension (H × W × D) (mm)	Padlock device H-handle silver/black
Operat. current I _e	Operational power (at 380–440 V)			 IP66
AC-21A (A)	AC-23A (kW)	AC-3 (kW)		Order code number
160	75	45	440 × 320 × 180	K616-41300-077H1
160	75	45	440 × 320 × 255	K616-41300-177H1
315	132	55	640 × 320 × 255	K830-41300-077H1
315	132	55	640 × 320 × 330	K830-41300-177H1

Disconnect Switches

Main Switches Enclosed Switches – Insulated Enclosure

Switching programme	Rated data (IEC 60947)			Enclosure dimension (H × W × D) (mm)	Padlock device N-handle black	Padlock device M-handle black	Padlockable handle V-handle silver/black
	Operat. current I _e (A)	Operational power (at 380–440 V) (kW)			 IP66	 IP66	 IP66
		AC-21A	AC-23A				
41400 – 4 pole – without auxiliary contacts – neutral contact – early make/late break 	20	5.5	3.7	125 × 100 × 85	H216-41400-700N1	H216-41400-700M1	H216-41400-700V1
	20	5.5	3.7	175 × 115 × 100	H216-41400-710N1	H216-41400-710M1	H216-41400-710V1
	20	5.5	3.7	250 × 160 × 120	H216-41400-730N1	H216-41400-730M1	H216-41400-730V1
	25	7.5	5.5	125 × 100 × 85	H220-41400-700N1	H220-41400-700M1	H220-41400-700V1
	25	7.5	5.5	175 × 115 × 100	H220-41400-710N1	H220-41400-710M1	H220-41400-710V1
	25	7.5	5.5	250 × 160 × 120	H220-41400-730N1	H220-41400-730M1	H220-41400-730V1
	32	11	7.5	125 × 100 × 85	H226-41400-700N1	H226-41400-700M1	H226-41400-700V1
	32	11	7.5	175 × 115 × 100	H226-41400-710N1	H226-41400-710M1	H226-41400-710V1
	32	11	7.5	250 × 160 × 120	H226-41400-730N1	H226-41400-730M1	H226-41400-730V1
	40	15	11	175 × 115 × 100	H233-41400-710N1	H233-41400-710M1	H233-41400-710V1
	40	15	11	175 × 115 × 100	B240-41400-710N1*¹	B240-41400-710M1*¹	B240-41400-710V1*¹
	40	15	11	250 × 160 × 120	H233-41400-730N1	H233-41400-730M1	H233-41400-730V1
	40	15	11	250 × 160 × 120	B240-41400-730N1*	B240-41400-730M1*	B240-41400-730V1*
	50	18.5	15	175 × 115 × 100	B250-41400-710N1¹	B250-41400-710M1¹	B250-41400-710V1¹
	50	18.5	15	250 × 160 × 120	B250-41400-730N1	B250-41400-730M1	B250-41400-730V1
	63	22	18.5	175 × 115 × 100	B263-41400-710N1¹	B263-41400-710M1¹	B263-41400-710V1¹
	63	22	18.5	250 × 160 × 120	B263-41400-730N1	B263-41400-730M1	B263-41400-730V1
	63	22	18.5	250 × 160 × 120	H406-41400-730N1*	H406-41400-730M1*	–
	63	22	18.5	280 × 190 × 130	H406-41400-770N1	H406-41400-770M1	H406-41400-770V1
	63	22	18.5	320 × 220 × 180	H406-41400-471N1	H406-41400-471M1	–
80	30	22	250 × 160 × 120	H408-41400-730N1	H408-41400-730M1	–	
80	30	22	280 × 190 × 130	H408-41400-770N1	H408-41400-770M1	H408-41400-770V1	
80	30	22	320 × 220 × 180	H408-41400-471N1	H408-41400-471M1	–	
100	37	30	250 × 160 × 120	H410-41400-730N1	H410-41400-730M1	–	
100	37	30	280 × 190 × 130	H410-41400-770N1	H410-41400-770M1	H410-41400-770V1	
100	37	30	320 × 220 × 180	H410-41400-471N1	H410-41400-471M1	–	
125	45	37	320 × 220 × 180	H412-41400-471N1	H412-41400-471M1	–	

Rated data (IEC 60947)			Enclosure dimension (H × W × D) (mm)	Padlock device H-handle silver/black
Operat. current I _e (A)	Operational power (at 380–440 V) (kW)			 IP66
	AC-21A	AC-23A	AC-3	
160	75	45	440 × 320 × 180	K616-41400-077H1
160	75	45	440 × 320 × 255	K616-41400-177H1
315	132	55	640 × 320 × 255	K830-41400-077H1
315	132	55	640 × 320 × 330	K830-41400-177H1

* larger terminal capacity, see page 154




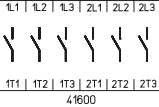
¹ Terminal capacity max. 16 mm² on N-terminal and/or PE-terminal


Further switching programmes from page 132.

Disconnect Switches



Main Switches Enclosed Switches – Insulated Enclosure

Switching programme	Rated data (IEC 60947)			Enclosure dimension (H × W × D) (mm)	Padlock device N-handle black	Padlock device M-handle black	Padlockable handle V-handle silver/black
	Operat. current I _e	Operational power (at 380–440 V)			 IP66	 IP66	 IP66
	AC-21A (A)	AC-23A (kW)	AC-3 (kW)		Order code number	Order code number	Order code number
41600 – 6 pole – without auxiliary contacts 	20	5.5	3.7	175 × 115 × 100	H216-41600-720N1	H216-41600-720M1	H216-41600-720V1
	20	5.5	3.7	250 × 160 × 120	H216-41600-733N1	H216-41600-733M1	H216-41600-733V1
	25	7.5	5.5	175 × 115 × 100	H220-41600-720N1	H220-41600-720M1	H220-41600-720V1
	25	7.5	5.5	250 × 160 × 120	H220-41600-733N1	H220-41600-733M1	H220-41600-733V1
	32	11	7.5	175 × 115 × 100	H226-41600-720N1	H226-41600-720M1	H226-41600-720V1
	32	11	7.5	250 × 160 × 120	H226-41600-733N1	H226-41600-733M1	H226-41600-733V1
	40	15	11	175 × 115 × 100	H233-41600-720N1	H233-41600-720M1	H233-41600-720V1
	40	15	11	250 × 160 × 120	H233-41600-733N1	H233-41600-733M1	H233-41600-733V1
	40	15	11	320 × 220 × 180	B240-41600-977N1	B240-41600-977M1	–
	50	18.5	15	320 × 220 × 180	B250-41600-977N1	B250-41600-977M1	–
	63	22	18.5	320 × 220 × 180	B263-41600-977N1	B263-41600-977M1	–
	63	22	18.5	440 × 320 × 180	H406-41600-977N1*	H406-41600-977M1*	–
	63	22	18.5	440 × 320 × 180	H406-41600-577N1	H406-41600-577M1	–
	80	30	22	320 × 220 × 180	H408-41600-977N1	H408-41600-977M1	–
	80	30	22	440 × 320 × 180	H408-41600-577N1	H408-41600-577M1	–
	100	37	30	320 × 220 × 180	H410-41600-977N1	H410-41600-977M1	–
100	37	30	440 × 320 × 180	H410-41600-577N1	H410-41600-577M1	–	
125	45	37	320 × 220 × 180	H412-41600-977N1	H412-41600-977M1	–	
125	45	37	440 × 320 × 180	H412-41600-577N1	H412-41600-577M1	–	




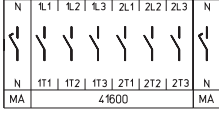
Rated data (IEC 60947)			Enclosure dimension (H × W × D) (mm)	Padlock device H-handle silver/black
Operat. current I _e	Operational power (at 380–440 V)			 IP66
AC-21A (A)	AC-23A (kW)	AC-3 (kW)		Order code number
160	75	45	440 × 320 × 255	K616-41600-177H1
315	132	55	640 × 320 × 330	K830-41600-177H1


* larger terminal capacity, see page 154

Further switching programmes from page 132.

Disconnect Switches

Main Switches Enclosed Switches – Insulated Enclosure

Switching programme	Rated data (IEC 60947)			Enclosure dimension (H × W × D) (mm)	Padlock device N-handle black	Padlock device M-handle black	Padlockable handle V-handle silver/black
	Operat. current I_e	Operational power (at 380–440 V)			 OFF ON	 ON OFF	 ON OFF
		AC-21A (A)	AC-23A (kW)		AC-3 (kW)	IP66	IP66
					Order code number	Order code number	Order code number
41800 – 8 pole – without auxiliary contacts – 2 neutral contacts early make/late break 	20	5.5	3.7	250 × 160 × 120	H216-41800-733N1	H216-41800-733M1	H216-41800-733V1
	20	5.5	3.7	280 × 190 × 130	H216-41800-770N1	H216-41800-770M1	H216-41800-770V1
	25	7.5	5.5	250 × 160 × 120	H220-41800-733N1	H220-41800-733M1	H220-41800-733V1
	25	7.5	5.5	280 × 190 × 130	H220-41800-770N1	H220-41800-770M1	H220-41800-770V1
	32	11	7.5	250 × 160 × 120	H226-41800-733N1	H226-41800-733M1	H226-41800-733V1
	32	11	7.5	280 × 190 × 130	H226-41800-770N1	H226-41800-770M1	H226-41800-770V1
	40	15	11	250 × 160 × 120	H233-41800-733N1	H233-41800-733M1	H233-41800-733V1
	40	15	11	280 × 190 × 130	H233-41800-770N1	H233-41800-770M1	H233-41800-770V1
	40	15	11	280 × 190 × 130	B240-41800-770N1*¹	B240-41800-770M1*¹	B240-41800-770V1*¹
	40	15	11	320 × 220 × 180	B240-41800-977N1	B240-41800-977M1	–
	50	18.5	15	280 × 190 × 130	B250-41800-770N1¹	B250-41800-770M1¹	B250-41800-770V1¹
	50	18.5	15	320 × 220 × 180	B250-41800-977N1	B250-41800-977M1	–
	63	22	18.5	280 × 190 × 130	B263-41800-770N1¹	B263-41800-770M1¹	B263-41800-770V1¹
	63	22	18.5	320 × 220 × 180	B263-41800-977N1	B263-41800-977M1	–
	63	22	18.5	320 × 220 × 180	H406-41800-977N1*	H406-41800-977M1*	–
	63	22	18.5	440 × 320 × 180	H406-41800-577N1	H406-41800-577M1	–
	80	30	22	320 × 220 × 180	H408-41800-977N1	H408-41800-977M1	–
	80	30	22	440 × 320 × 180	H408-41800-577N1	H408-41800-577M1	–
100	37	30	320 × 220 × 180	H410-41800-977N1	H410-41800-977M1	–	
100	37	30	440 × 320 × 180	H410-41800-577N1	H410-41800-577M1	–	
125	45	37	320 × 220 × 180	H412-41800-977N1	H412-41800-977M1	–	
125	45	37	440 × 320 × 180	H412-41800-577N1	H412-41800-577M1	–	

Rated data (IEC 60947)			Enclosure dimension (H × W × D) (mm)	Padlock device H-handle silver/black
Operat. current I_e	Operational power (at 380–440 V)			 ON OFF
	AC-21A (A)	AC-23A (kW)		AC-3 (kW)
				Order code number
160	75	45	440 × 320 × 255	K616-41800-177H1
315	132	55	640 × 320 × 330	K830-41800-177H1

* larger terminal capacity, see page 154

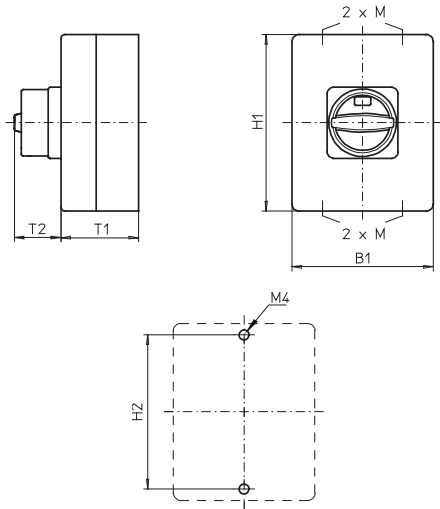
¹ Terminal capacity max. 16 mm² on N-terminal and/or PE-terminal

Further switching programmes from page 132.

Dimensions in mm:

Setup of order code number

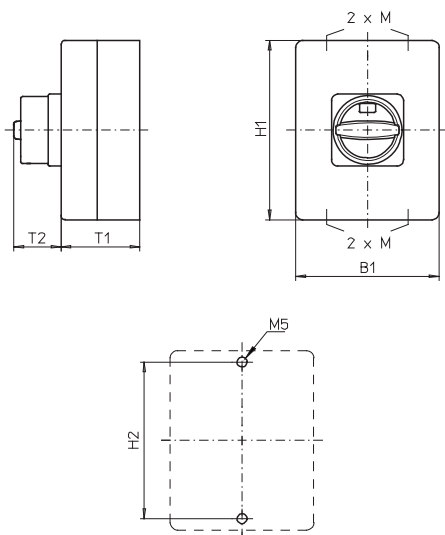
Type	Switching progr.	Mtg. form
H216	41400	700M1
Order code no.	H216-41400-700M1	



Insulated enclosures **125 × 100 × 85 mm**
and **175 × 115 × 100 mm**:

Types H216 / H220 / H226 / H233 / B240 / B250 / B263:

Mtg. form	H1	B1	T1	T2	2×M	H2
700M1	125	100	85	38	20/25	115
700N1	125	100	85	33	20/25	115
700V1	125	100	85	32	20/25	115
710M1	175	115	100	38	20/25	165
710N1	175	115	100	33	20/25	165
710V1	175	115	100	39	20/25	165
720M1	175	115	100	38	20/25	165
720N1	175	115	100	33	20/25	165
720V1	175	115	100	39	20/25	165



Insulated enclosure **250 × 160 × 120 mm**:

Types H216 / H220 / H226 / H233:

Mtg. form	H1	B1	T1	T2	2×M	H2
730M1	250	160	120	38	32/40	235
730N1	250	160	120	33	32/40	235
730V1	250	160	120	39	32/40	235
733M1	250	160	120	38	32/40	235
733N1	250	160	120	33	32/40	235
733V1	250	160	120	39	32/40	235

Types B240 / B250 / B263:

Mtg. form	H1	B1	T1	T2	2×M	H2
730M1	250	160	120	50	32/40	235
730N1	250	160	120	45	32/40	235
730V1	250	160	120	39	32/40	235

Types H406 / H408 / H410 / H412:

Mtg. form	H1	B1	T1	T2	2×M	H2
730M1	250	160	120	50	32/40	235
730N1	250	160	120	45	32/40	235

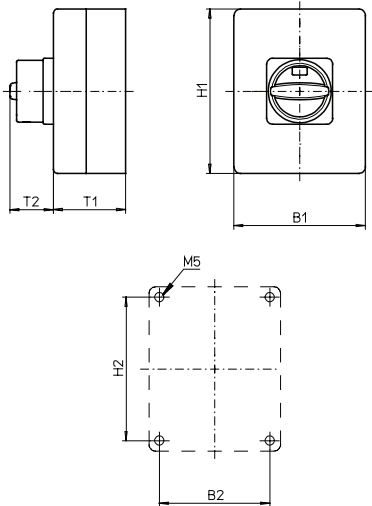
Disconnect Switches

Main Switches Enclosed Switches – Insulated Enclosure

Dimensions in mm:

Setup of order code number

Type	Switching progr.	Mtg. form
H406	41300	770M1
Order code no.	H406-41300-770M1	



Insulated enclosures **280 × 190 × 130 mm**
and **320 × 220 × 180 mm**:

Types H216 / H220 / H226 / H233 / B240 / B250 / B263 /
H406 / H408 / H410 / H412:

Mtg. form	H1	B1	T1	T2	2×M	H2	B2
770M1	280	190	130	50	40×1.5	254	164
770N1	280	190	130	45	40×1.5	254	164
770V1	280	190	130	39	40×1.5	254	164
471M1	320	220	180	50	– ¹	293	193
471N1	320	220	180	45	– ¹	293	193
977M1	320	220	180	50	– ¹	293	193
977N1	320	220	180	45	– ¹	293	193

¹ Blank gland plates

Insulated enclosures **440 × 320 × 180 mm /**
440 × 320 × 255 mm / 640 × 320 × 255 mm /
640 × 320 × 330 mm:

Types H406 / H408 / H410 / H412:

Mtg. form	H1	B1	T1	T2	H2	B2
577M1	440	320	180	50	480	293
577N1	440	320	180	45	480	293

Type K616:

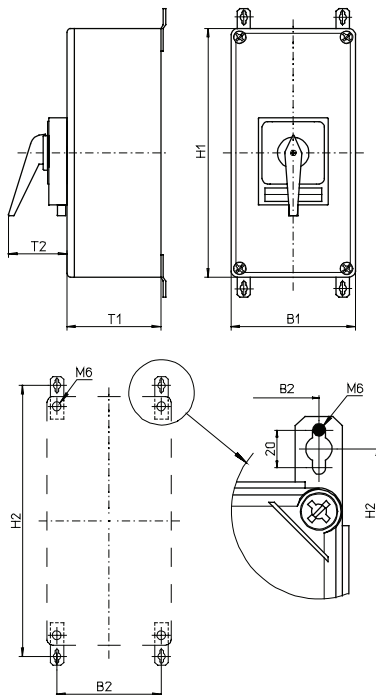
Mtg. form	H1	B1	T1	T2	H2	B2
077H1	440	320	180	83	480	293
177H1	440	320	255	83	480	293

Type K830:

Mtg. form	H1	B1	T1	T2	H2	B2
077H1	640	320	255	93	680	293
177H1	640	320	330	93	680	293

Further switching programmes and corresponding dimensions for types K on request.

Blank gland plates



Mounting brackets are included.